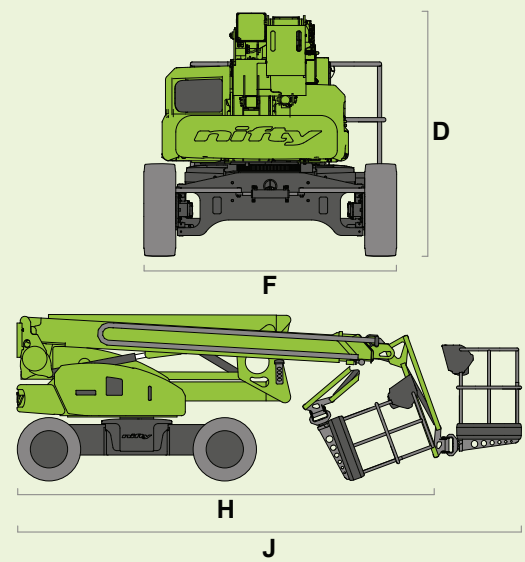
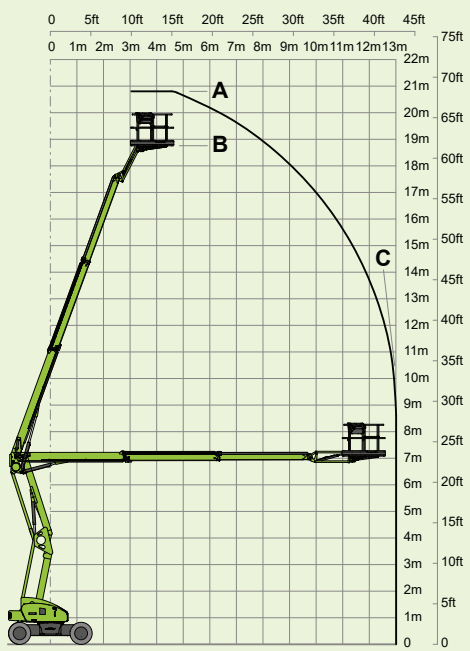


HR21E



S i OPS® All-**Electric**
toughcage Niftylink®

- (A) 20.8m
68ft 6in
- (B) 18.8m
62ft
- (C) 13m
42ft 8in
- 250kg
550lbs
- 1.8m x 0.8m
5ft 11in x 2ft 8in
- 150°
- 160°
- (D) 2.18m
7ft 2in
- (F) 2.27m
7ft 5in
- (H) 5.47m
17ft 11in
- (J) 6.62m
22ft
- 6km/h
3.7mph
- 3.89m
12ft 9in
- 25%
14°
- 6640kg
14640lbs

niftylift.com.au

11 Kennington Drive Tomago NSW 2322

02 4964 9765 or 1300 4 NIFTY

sales@niftylift.com.au

