

ATTACH
0217 EN



MERLO ATTACHMENTS 2017

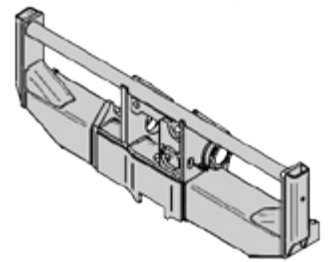
E.U. VERSION



Merlo carriages

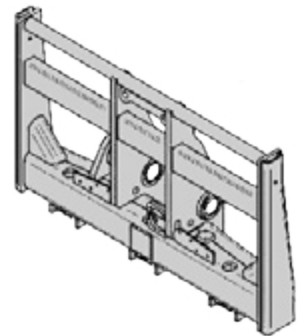
ZM2 carriage

CARRIAGE MODEL	WIDTH (mm)	HEIGHT (mm)	MAX. CAPACITY (kg)
ZM2	1190	381	2500/4500



ZM3 - ZM3 3TL* carriage

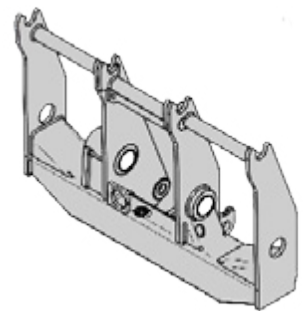
CARRIAGE MODEL	WIDTH (mm)	HEIGHT (mm)	MAX. CAPACITY (kg)
ZM3	1190	706	4500/7500
ZM3 3TL	1190	706	4500/7500



*Triple Tac-Lock

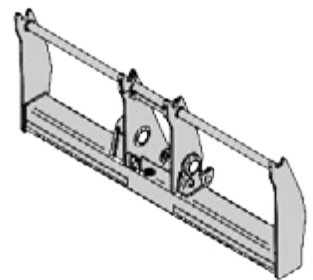
ZM4 carriage

CARRIAGE MODEL	WIDTH (mm)	HEIGHT (mm)	MAX. CAPACITY (kg)
ZM4	1360	948	8000/12000



ZM4 XL carriage

CARRIAGE MODEL	WIDTH (mm)	HEIGHT (mm)	MAX. CAPACITY (kg)
ZM4 XL	2315	948	8000/12000



Tac-lock

Tac-Lock: hydraulic attachment clamping system from the cab



Standard Tac-lock



Triple Tac-Lock



ZM4 Tac-Lock

Machine ranges

SUPER COMPACT		TURBOFARMER		MULTIFARMER		PROFESSIONAL		ROTO			
SUPER COMPACT	P27.6	MEDIUM DUTY	TF 33.9-115	MF	MF40.7T CS	HEAVY DUTY	TF50.8T-120	ROTO 400°	ROTO38.14		
	P27.6 Plus		TF 33.9-115 CS		MF40.9T CS		TF50.8T-CS-156-CVT		ROTO38.14S		
	P27.6 Top		TF 33.9-115 G		TF45.11 T-120		ROTO38.16				
COMPACT MODELS	COMPACT		TF 33.9-115 CS G		CS	P55.9CS	P60.9CS		P75.9CS	ROTO38.16S	ROTO38.16S
			TF 33.9 G							ROTO40.18S	ROTO40.18S
			TF 35.7-115							ROTO50.10S	ROTO50.10S
			TF 35.7-115 CS								ROTO45.19MCSS
			TF 35.7-115 G							ROTO45.21MCSS	
			TF 35.7-115 CS G							ROTO40.26MCSS	
			TF 35.7 G							ROTO40.30MCSS	
			TF 33.7 G							ROTO50.16MCSS	
		TF 33.7-115 G							ROTO60.24MCSS		
		TF 33.7-100 G									
TF 33.7-115											
TF 30.9 G											
TF 30.9-115 G											
TF 30.9-100 G											
TF 30.9-115											
		TURBOFARMER II		PANORAMIC		HIGH CAPACITY					
			TF42.7-140	STABILISERS	P30.10	HIGH CAPACITY	P60.10				
			TF38.10-140		P38.12		P72.10				
			TF38.10-140		P38.13		P120.10HM				
			TF42.7 CS-140		P38.14		P65.14HM				
			TF38.10 CS-140		P40.17		P50.18HM				
			TF42.7 CS-140-CVT		P38.12 Plus						
			TF38.10 CS-140-CVT		P38.13 Plus						
			TF42.7 TT-140		P38.14 Plus						
			TF38.10 TT-140		P40.17 Plus						
			TF42.7 TT CS -140		WITHOUT STAB. P40.9 Plus						
			TF38.10 TT CS-140	P37.12 Plus							
			TF42.7 TT CS-140-CVT								
			TF38.10 TT CS-140-CVT								

Legend

ABBREVIATIONS		APPLICATIONS		SYMBOLS	
SUPER COMPACT	S.COMP	AGRICULTURE		●	<i>applicable</i>
COMPACT	COMP	BUILDING		-	<i>not applicable</i>
TURBOFARMER	TF	INDUSTRY			
MULTIFARMER	MF	ECOLOGY			
PANORAMIC	PAN				
PROFESSIONAL	PROF				
HIGH CAPACITY	HM				
ROTO	ROTO				

WARNING! This information is by way of example only and does not in any way authorize the combination of the attachment to the machine model cited. Consult the use and maintenance manual of the handler for the list of authorized attachments.

Contents

FORKS	MERLO FORKS, FORK CARRIERS	Page	6
	FEM FORKS, FORK CARRIERS	Page	7
BUCKETS	CONCRETE BUCKET	Page	8
	CONCRETE MIXING BUCKET	Page	9
	DIGGING BUCKET	Page	10
	REHANDLING BUCKET	Page	11
	BULK MATERIAL BUCKET	Page	12
	MULTIPURPOSE BUCKET (4x1)	Page	13
	MULTIPURPOSE BUCKET WITH GRAB	Page	14
FORKS AND CLAMPS	MANURE FORK WITH GRAB	Page	15
	2/3 FOLDABLE TINES BALE FORK	Page	16
	4 TINES FORK WITH HYDRAULIC PROTECTION	Page	17
	ROUND BALE CLAMP	Page	18
	DUAL ROUND BALE CLAMP	Page	19
GRAPPLES	LIFTING BOOM	Page	20
	HYDRAULIC EXTENSION LIFTING BOOM	Page	21
	FLY JIB	Page	22
	FLY JIB WITH WINCH	Page	23
	MINI-TOWER JIB	Page	24
	LIFTING HOOK ON CARRIAGE	Page	25
	HYDRAULIC WINCH ON CARRIAGE	Page	26
PLATFORMS	FIXED PLATFORM	Page	27
	SLEWING PLATFORM	Page	28
	VARIABLE WIDTH SLEWING PLATFORM	Page	29
	PLATFORM WITH FRONT OPENING	Page	30
	PANEL HANDLING PLATFORM	Page	31
	SPACE PLATFORM	Page	32
SPECIAL	MATERIAL HANDLER	Page	33
	MATERIAL CONTAINER	Page	34
	DOUBLE LOG CLAMP	Page	35
	DRUM CLAMP	Page	36
	MERLO DYNAMIC LOAD CONTROL	Page	37

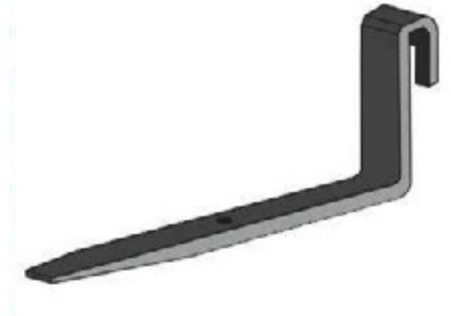
Attachment alphabetical index

2/3 FOLDABLE TINES BALE FORK	Page	16
4 TINES FORK WITH HYDRAULIC PROTECTION	Page	17
BULK MATERIAL BUCKET	Page	12
CONCRETE BUCKET	Page	8
CONCRETE MIXING BUCKET	Page	9
DIGGING BUCKET	Page	10
DOUBLE LOG CLAMP	Page	35
DRUM CLAMP	Page	36
DUAL ROUND BALE CLAMP	Page	19
FEM FORKS, FORK CARRIERS	Page	7
FIXED PLATFORM	Page	27
FLY JIB	Page	22
FLY JIB WITH WINCH	Page	23
HYDRAULIC EXTENSION LIFTING BOOM	Page	21
HYDRAULIC WINCH ON CARRIAGE	Page	26
LIFTING BOOM	Page	20
LIFTING HOOK ON CARRIAGE	Page	25
MANURE FORK WITH GRAB	Page	15
MATERIAL CONTAINER	Page	34
MATERIAL HANDLER	Page	33
MERLO FORKS, FORK CARRIERS	Page	6
MINI-TOWER JIB	Page	24
MULTIPURPOSE BUCKET (4X1)	Page	13
MULTIPURPOSE BUCKET WITH GRAB	Page	14
PANEL HANDLING PLATFORM	Page	31
PLATFORM WITH FRONT OPENING	Page	30
REHANDLING BUCKET	Page	11
ROUND BALE CLAMP	Page	18
SLEWING PLATFORM	Page	28
SPACE PLATFORM	Page	32
VARIABLE WIDTH SLEWING PLATFORM	Page	29

Merlo forks, fork carriers

Standard forks

SALES REF.		ZM	WEIGHT (kg)	LENGTH (mm)	MAX. CAPACITY (kg)
PAIR	SINGLE				
A0300	A0300.1	ZM2	77	1200	1750
A0301	A0301.1	ZM2	85	1200	2250
A0304	A0304.1	ZM2	87	1200	2250
A0302	A0302.1	ZM3	143	1200	3000
A0306	A0306.1	ZM3	190	1200	3750
A0305	A0305.1	ZM4	290	1800	5000/6000
A0322	A0322.1	ZM4 XL	290	1800	10000/12000



Extra large fork carriage

SALES REF.	ZM	WEIGHT (kg)	WIDTH (mm)	MAX. CAPACITY (kg)
A0100	ZM2	132	1895	3700
A0101	ZM3	210	1920	6000



Carriage with floating forks

SALES REF.	ZM	WEIGHT (kg)	WIDTH (mm)	MAX. CAPACITY (kg)
A0291	ZM2	290	1200	4000
A0292	ZM2	305	1200	4000
A0291A*	ZM2	320	1200	4000
A0292A*	ZM2	336	1200	4000
A0293	ZM2	220	1200	1500
A0294	ZM2	230	1200	1500

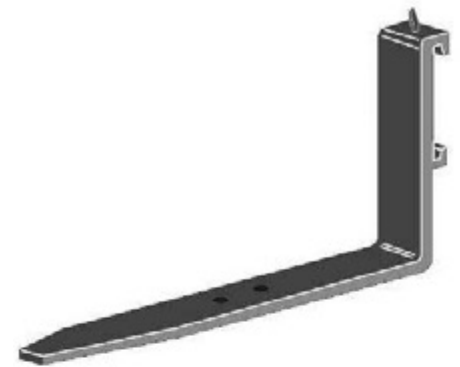


*Approved for road use

FEM forks, fork carriers

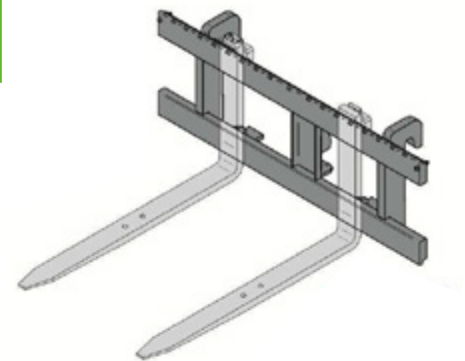
FEM Forks

SALES REF.		FEM ATTACH.	WEIGHT (kg)	LENGTH (mm)	MAX. CAPACITY (kg)
PAIR	SINGLE		SINGLE	SINGLE	SINGLE
A0500	A0500.1	III	83	1200	2150
A0520	A0520.1	IV	131	1200	3000
A0524	A0524.1	IV	161	1200	3600
A0521	A0521.1	V	226	1200	5000



FEM form carriage

SALES REF.	FEM ATTACH.	ZM	WEIGHT (kg)	WIDTH (mm)	MAX. CAPACITY (kg)
A0200	III	ZM2	145	1500	4500
A0201	III	ZM2	156	1500	4500
A0210	III	ZM2	185	2000	4500
A0211	III	ZM2	190	2000	4500
A0230	IV	ZM3	310	1500	7500
A0240	IV	ZM3	355	1800	7500
A0245	V	ZM4	515	2400	10000



Fork sideshifter on standard carriage

SALES REF.	FEM ATTACH.	ZM	WEIGHT (kg)	WIDTH (mm)	TRANSLATION MOVEMENT (mm)	MAX. CAPACITY (kg)
A0281	III	ZM2	410	1355	+/- 154	4000
A0282	III	ZM2	380	1355	+/- 154	4000
A0283	IV	ZM3	560	1355	+/- 154	7000





Concrete bucket

Designed to handle concrete having a maximum density of 2.500 kg/m³.

FEATURES

- ✓ *Lightweight and sturdy*
- ✓ *Can be fitted to standard forks*
- ✓ *Can be hooked up at the front or at the side depending on unloading requirements*
- ✓ *Hydraulic command for unloading hatch version available*



COMMERCIAL REF. CODE	WEIGHT (kg)	WIDTH (mm)	LOAD CAPACITY (l)	MAXIMUM CAPACITY (kg)	MACHINE RANGE							
					S.COMP	COMP.	TF	MF	PAN	PROF	HM	ROTO
A1410	255	1470	500	1250	●	●	●	●	●	●	●	●
A1430	275	1470	700	1750	-	●	●	●	●	●	●	●

REQUIREMENTS	OPTIONS	LIMITATIONS
-	-	-

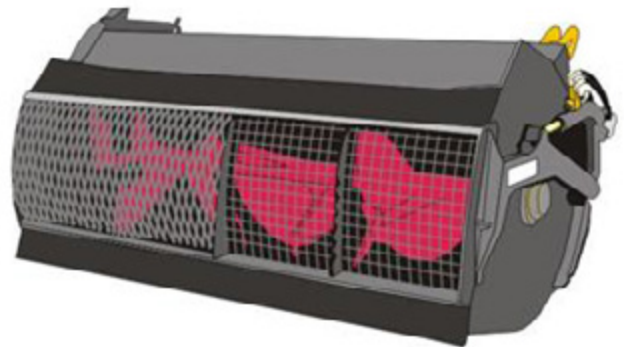


Concrete mixing bucket

Designed to mix and handle concrete having a maximum density of 2.500 kg/m³.

FEATURES

- ✓ Hydraulic hatch opening and closing, even with radio control
- ✓ Hydraulic control of propeller protective grid, with automatic closure device
- ✓ Wear resistant, replaceable steel propellers
- ✓ Rotating chute for delivering concrete



COMMERCIAL REF. CODE	WEIGHT (kg)	WIDTH (mm)	LOAD CAPACITY (l)	MAXIMUM CAPACITY (kg)	MACHINE RANGE							
					S.COMP	COMP.	TF	MF	PAN	PROF	HM	ROTO
A1565	690	1060	350	875	●	●	●	●	●	-	-	-
A1570	750	1710	500	1250	●	●	●	●	●	-	-	-
A1571	750	1710	500	1250	-	-	-	-	-	-	-	●
A1580	880	2225	750	1875	-	●	●	●	●	-	-	-
A1581	880	2225	750	1875	-	-	-	-	-	-	-	●
A1582	1020	2225	750	1875	-	-	-	-	-	●	●	●
A1583	1020	2225	750	1875	-	-	-	-	-	●	-	-

REQUIREMENTS	OPTIONS	LIMITATIONS
Pre-arrangement for mixing bucket	Extension chute (1.5m), unload hose (1,5m), radio control	-

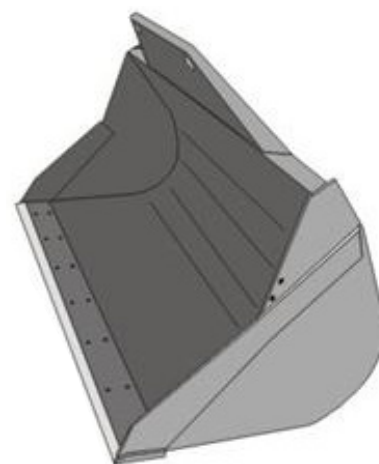


Digging bucket

Ideal for excavation and handling of material with a maximum density of 2.250 kg/m³.

FEATURES

- ✓ *Monocoque body for better resistance*
- ✓ *Delivered with front cutter protection for on-road circulation*
- ✓ *Bucket loader cutter and wear blade with hardness 530HB*
- ✓ *Side reinforcement cutters*



COMMERCIAL REF. CODE	WEIGHT (kg)	WIDTH (mm)	CAPACITY* (l)	MAXIMUM CAPACITY (kg)	MACHINE RANGE								
					S.COMP	COMP.	TF	MF	PAN	PROF	HM	ROTO	
A0699	300	1840	550	1250	●	-	-	-	-	-	-	-	-
A0700	360	2000	800	1800	●	-	-	-	-	-	-	-	-
A0708	380	2150	850	1900	-	●	-	-	-	-	-	-	-
A0701	400	2240	900	2025	-	●	●	●	●	-	-	-	●
A0706	430	2440	1000	2250	-	-	-	-	●	-	-	-	●
A0707	400	2440	1000	2250	-	-	-	-	-	-	●	-	●
A0704°	565	2440	1200	2700	-	-	-	-	-	●	●	-	●
A0703	910	2440	1800	4050	-	-	-	-	-	-	●	-	-

*heaped full capacity °triple Tac-Lock

REQUIREMENTS	OPTIONS	LIMITATIONS
-	Teeth, Blade wear	-

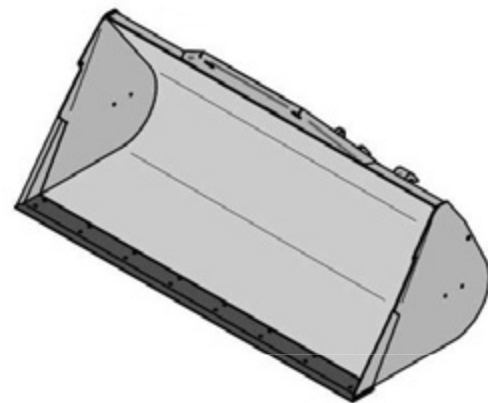


Rehandling bucket

Bucket designed to handle materials having a maximum density of 1.800 kg/m³.

FEATURES

- ✓ Suitable for levelling, shifting and handling
- ✓ Monocoque body with external reinforcements for better resistance
- ✓ Delivered with front cutter protection for on-road circulation
- ✓ Bucket loader cutter and wear blade with hardness 530HB



COMMERCIAL REF. CODE	WEIGHT (kg)	WIDTH (mm)	CAPACITY* (l)	MAXIMUM CAPACITY (kg)	MACHINE RANGE							
					S.COMP	COMP.	TF	MF	PAN	PROF	HM	ROTO
A0710	390	2240	1250	2250	-	●	●	●	●	-	-	●
A0712	410	2400	1350	2430	-	●	●	●	●	-	-	●
A0717	710	2500	1800	3240	-	-	-	-	-	●	-	●

*heaped full capacity

REQUIREMENTS	OPTIONS	LIMITATIONS
-	Teeth, Blade wear	-

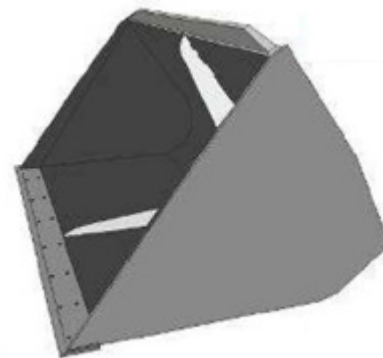


Bulk Material Bucket

Bucket designed to handle bulk materials having a maximum density of 900 kg/m³.

FEATURES

- ✓ Ideal for bulk materials
- ✓ Monocoque body with external reinforcements for better resistance
- ✓ Sides with steel ribbing
- ✓ Wear blade with double bolted bevel available



COMMERCIAL REF. CODE	WEIGHT (kg)	WIDTH (mm)	CAPACITY* (l)	MAXIMUM CAPACITY (kg)	MACHINE RANGE								
					S.COMP	COMP.	TF	MF	PAN	PROF	HM	ROTO	
A0716	435	1840	1500	1350	●	-	-	-	-	-	-	-	-
A0713	435	2000	1700	1530	●	-	-	-	-	-	-	-	-
A0720	490	2400	2000	1800	-	●	●	●	●	-	-	-	●
A0720A	541	2400	2000	1800	-	●	●	●	●	-	-	-	●
A0780	605	2400	2500	2250	-	●	●	●	●	-	-	-	●
A0782	695	2500	3000	2700	-	-	●	●	-	-	-	-	-
A0781°	740	2500	2500	2250	-	-	-	-	-	●	●	-	●
R2200°	890	2500	3000	2700	-	-	-	-	-	●	●	-	●
A0785	1100	2500	3500	3150	-	-	-	-	-	-	●	-	-
A0786	1400	2500	5000	4500	-	-	-	-	-	-	●	-	-

*heaped full capacity °triple Tac-Lock

REQUIREMENTS	OPTIONS	LIMITATIONS
-	Blade wear	-

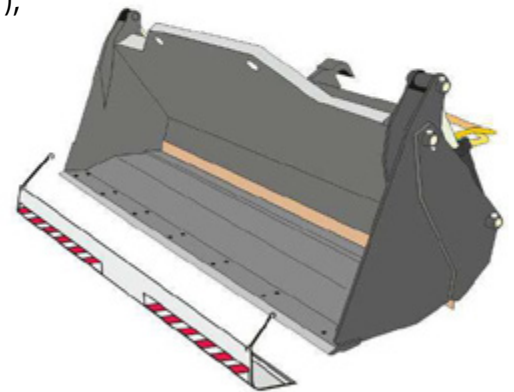


Multipurpose bucket (4x1)

Ideal attachment for various processing operations: excavation (max density 2.250 kg/m³), rehandling (max density 1.800 kg/m³), bulk handling (max density 900 kg/m³).

FEATURES

- ✓ Suitable for levelling, pushing, excavating, handling
- ✓ Mobile part for unloading on to truck or trailers
- ✓ Triple Tack Lock as standard (excluding A0810)
- ✓ Delivered with front cutter protection for on-road circulation



COMMERCIAL REF. CODE	WEIGHT (kg)	WIDTH (mm)	CAPACITY* (l)	CAPACITY (kg)	MACHINE RANGE							
					S.COMP	COMP.	TF	MF	PAN	PROF	HM	ROTO
DIGGING BUCKET												
A0810	630	1905	600	1350	●	-	-	-	-	-	-	-
A0800	720	2305	800	1800	-	●	●	●	●	●	●	●
A0820	780	2305	1000	2250	-	●	●	●	●	●	●	●
REHANDLING BUCKET												
A0870	840	2305	1250	2250	-	●	●	●	●	●	●	●
Bulk material BUCKET												
A0860	1220	2585	3000	2700	-	-	-	-	-	●	-	-

*heaped full capacity

REQUIREMENTS	OPTIONS	LIMITATIONS
-	Teeth (excavation only), Blade wear	-

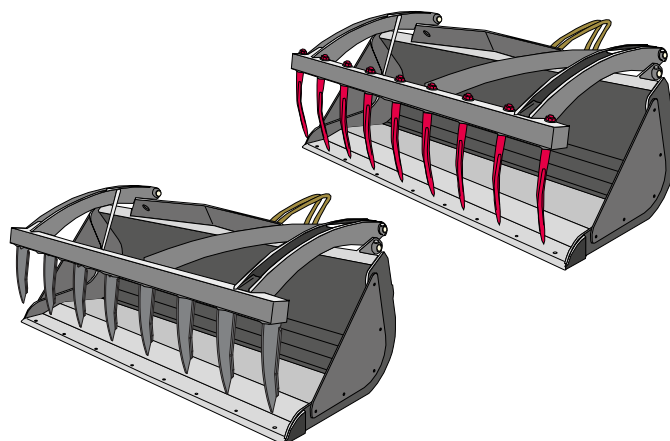


Multipurpose bucket with grab

Attachments designed to handle materials having a maximum density of 1.800 kg/m³.

FEATURES

- ✓ *Monocoque body for better resistance*
- ✓ *Removable sides for more volume*
- ✓ *Available with welded or forged teeth, with closure flush with or against walls to meet any operating requirement*
- ✓ *Hydraulically-operated grab*



COMMERCIAL REF. CODE	WEIGHT (kg)	WIDTH (mm)	LOAD CAPACITY (l)	MAXIMUM CAPACITY (kg)	MACHINE RANGE								
					S.COMP	COMP.	TF	MF	PAN	PROF	HM	ROTO	
A0836	497	1840	700	1260	●	-	-	-	-	-	-	-	-
A0841	570	2000	900	1700	●	●	●	●	●	-	-	-	-
A0840	605	2240	1000	1900	-	●	●	●	●	-	-	-	-
A0838	660	2400	1200	2160	-	●	●	●	●	-	-	-	-
A0843	700	2400	1500	2700	-	-	-	-	●	-	-	-	-
A0846	804	2400	2350	4230	-	-	-	-	-	●	●	-	-

Warning: weight varies depending on the teeth chosen. weight of forged teeth is indicated

REQUIREMENTS	OPTIONS	LIMITATIONS
-	Blade wear	-

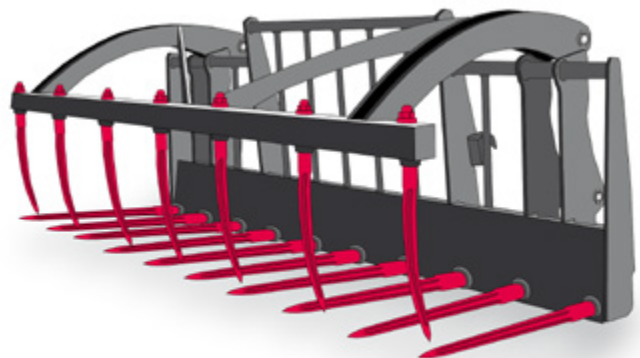


Manure fork with grab

Designed to handle manure with straw content having a maximum density of 800 kg/m³.

FEATURES

- ✓ *High-penetration tips*
- ✓ *Reinforced structure*
- ✓ *Hydraulically-operated grab*
- ✓ *Version without grab available on request*



COMMERCIAL REF. CODE	WEIGHT (kg)	WIDTH (mm)	MAXIMUM CAPACITY (kg)	MACHINE RANGE							
				S.COMP	COMP.	TF	MF	PAN	PROF	HM	ROTO
A2301	518	1945	1500	●	●	●	●	●	-	-	-
A2300	580	2280	2000	-	●	●	●	●	-	-	-
A2303	600	2280	1500	-	-	-	-	-	●	-	-

REQUIREMENTS	OPTIONS	LIMITATIONS
-	additional side teeth	-

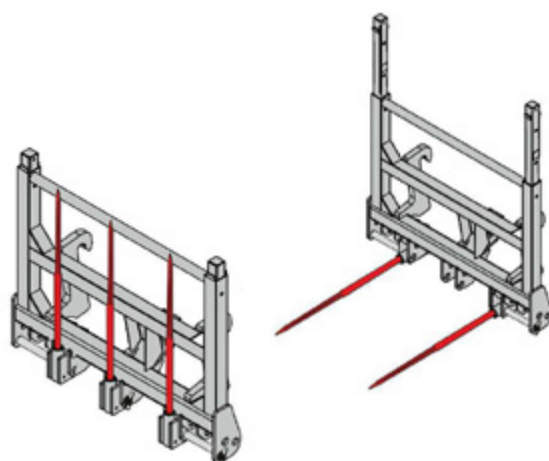


2/3 foldable tines bale fork

Attachment suitable for handling one or two bales.

FEATURES

- ✓ Extractable sliding upper guard.
- ✓ Interchangeable and tip-over high-penetration tines
- ✓ Reinforced structure
- ✓ Different tine lengths depending on model



COMMERCIAL REF. CODE	WEIGHT (kg)	N TIPS	LENGTH TINES (mm)	WIDTH (mm)	MAXIMUM CAPACITY (kg)	MACHINE RANGE							
						S.COMP	COMP.	TF	MF	PAN	PROF	HM	ROTO
A2331	220	3	840	1390	1500	-	●	●	●	●	-	-	-
A2332	230	3	1040	1390	1500	-	●	●	●	●	-	-	-
A2333	240	3	1220	1390	1500	●	●	●	●	●	-	-	-
A2334	220	2	1220	1390	1000	●	●	●	●	●	-	-	-
A2336	200	3	1400	1390	1500	-	-	-	-	-	●	-	-

REQUIREMENTS	OPTIONS	LIMITATIONS
-	-	-

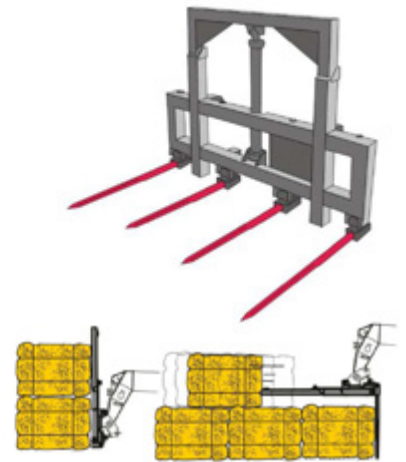


4 tines fork with hydraulic protection

Attachment suitable for handling one or two bales.

FEATURES

- ✓ Suitable for storing bales up to roof level
- ✓ Hydraulically-operated height-adjustable protection
- ✓ Interchangeable and tip-over high-penetration tips
- ✓ Guard height from 1.320 mm to 1.900 mm



COMMERCIAL REF. CODE	WEIGHT (kg)	WIDTH (mm)	MAXIMUM CAPACITY (kg)	MACHINE RANGE							
				S.COMP	COMP.	TF	MF	PAN	PROF	HM	ROTO
A2340	320	1720	1500	-	●	●	●	●	-	-	-

REQUIREMENTS	OPTIONS	LIMITATIONS
-	-	-

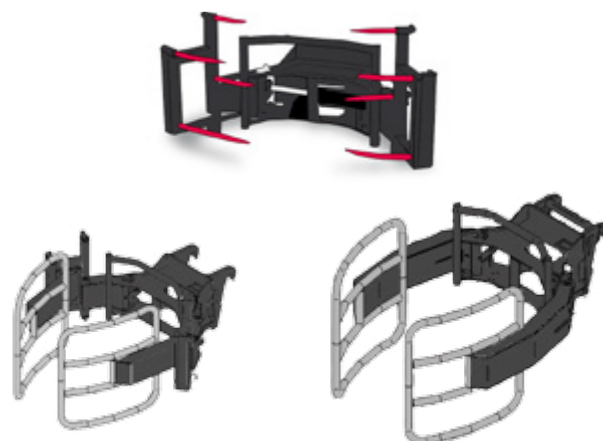


Round bale clamp

Attachment designed for handling round bales.

FEATURES

- ✓ Version available for round bales with or without bands
- ✓ Easy transitions from banded to non-banded rotary bales for multi-purpose versions
- ✓ Available for various bale dimensions
- ✓ Independent closure movement for individual sides



COMMERCIAL REF. CODE	WEIGHT (kg)	WIDTH (mm)	ROTARY BALE DIAMETER		MAXIMUM CAPACITY (kg)	MACHINE RANGE							
			ØP (m)	ØF (m)		S.COMP	COMP	TF	MF	PAN	PROF	HM	ROTO
A2407	190	1485	1,2/2		1200	-	●	●	●	●	-	-	-
A2408	270	1495	1,2/2	1,4/1,5	1200	-	●	●	●	●	-	-	-
A2405	323	1495	1,2/2	1,4/1,8	1200	-	●	●	●	●	-	-	-
A2402	210	1215		1,4/1,5	1000	-	●	●	●	●	-	-	-
A2406	240	1200		1,4/1,8	1000	-	●	●	●	●	-	-	-

ØP: round bale without band

ØF: round bale with band

REQUIREMENTS	OPTIONS	LIMITATIONS
-	-	-



Dual round bale clamp

Attachment designed to handle one or two bales without bands.

FEATURES

- ✓ Possibility of controlling the clamps simultaneously or independently* (only on pre-set machines)
- ✓ Possibility of handling 1 or 2 bales at a time
- ✓ Lightweight, sturdy structure
- ✓ Independent closure movement for individual sides



COMMERCIAL REF. CODE	WEIGHT (kg)	WIDTH (mm)	ROTARY BALE DIAMETER		MAXIMUM CAPACITY (kg)	MACHINE RANGE							
			ØP (m)	ØF (m)		S.COMP	COMP	TF	MF	PAN	PROF	HM	ROTO
A2413	390	1485	1,2/2	-	1200	-	●	●	●	●	-	-	-
A2413A	390	1485	1,2/2	-	1200	-	●	●	●	●	-	-	-

ØP: round bale without band

ØF: round bale with band

REQUIREMENTS	OPTIONS	LIMITATIONS
* Pre-set in relation to hydraulic function	-	-

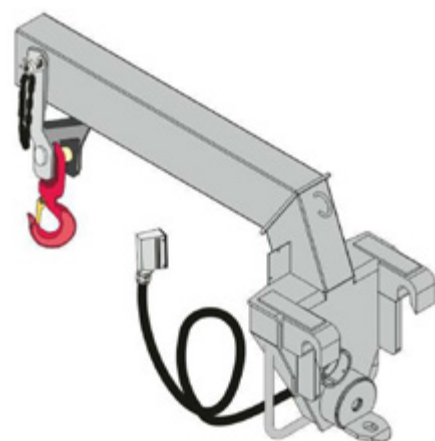


Lifting boom

Ideal attachment for handling suspended overhanging loads.

FEATURES

- ✓ Type-approved safety hook fitted with safety tang slewing over 360°
- ✓ Ideal for handling suspended loads
- ✓ Load limiter fitted as standard
- ✓ Sturdy structure



COMMERCIAL REF. CODE	WEIGHT (kg)	WIDTH (mm)	LENGTH* (mm)	MAXIMUM CAPACITY (kg)	MACHINE RANGE							
					S.COMP	COMP.	TF	MF	PAN	PROF	HM	ROTO
A1110A	125	495	1335	4500	-	-	-	-	●	-	-	●
A1111A	190	550	1340	7500	-	-	-	-	-	●	●	●
A1118B	125	495	1335	2200	-	●	●	●	●	-	-	-
A1124B	125	495	1335	1500	●	-	-	-	-	-	-	-
A1119B	190	550	1340	3500	-	-	-	-	-	●	●	-
A1129B	415	570	1780	6000	-	-	-	-	-	-	●	-

*carriage – hook centre distance

REQUIREMENTS	OPTIONS	LIMITATIONS
-	-	-

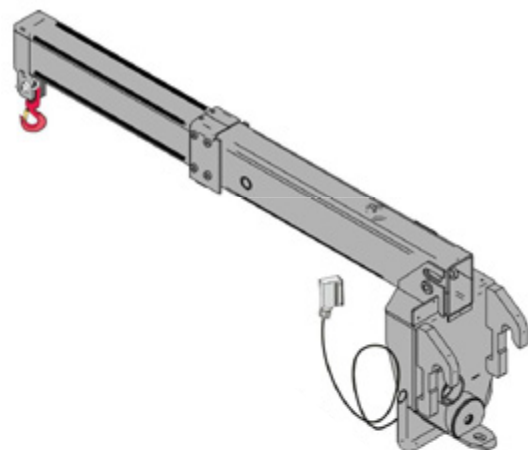


Hydraulic extension lifting boom

Attachment designed for handling suspended overhanging loads.

FEATURES

- ✓ Type-approved safety hook fitted with safety tang slewing over 360°
- ✓ Ideal for handling suspended loads
- ✓ Load limiter fitted as standard
- ✓ Extendable boom (725 mm)



COMMERCIAL REF. CODE	WEIGHT (kg)	WIDTH (mm)	LENGTH* (mm)	MAXIMUM CAPACITY (kg)	MACHINE RANGE							
					S.COMP	COMP.	TF	MF	PAN	PROF	HM	ROTO
A1120A	220	415	1445	4500	-	-	-	-	●	-	-	●
A1121A	346	480	1650	7500	-	-	-	-	-	-	-	●
A1123B	220	475	1445	1500	-	-	-	-	●	-	-	-

*carriage – hook centre distance

REQUIREMENTS	OPTIONS	LIMITATIONS
-	-	-



 **Fly jib**

Ideal for lifting, transport and positioning of suspended loads.

FEATURES

- ✓ High stiffness, low-weight trellis structure
- ✓ Type-approved safety hook fitted with safety tang slewing over 360°.
- ✓ Load limiter fitted as standard
- ✓ Available in various lengths



COMMERCIAL REF. CODE	WEIGHT (kg)	WIDTH (mm)	LENGTH* (mm)	MAXIMUM CAPACITY (kg)	MACHINE RANGE							
					S.COMP	COMP.	TF	MF	PAN	PROF	HM	ROTO
A1200B	112	400	3225	600	-	●	●	●	●	-	-	●
A1230B	125	400	3225	400	●	-	-	-	-	-	-	-
A1210B	120	440	1910	1500	-	●	●	●	●	-	-	●
A1220B	148	450	3710	900	-	-	-	-	-	●	●	●

*carriage – hook centre distance

REQUIREMENTS	OPTIONS	LIMITATIONS
-	Fly jib transport equipment	-

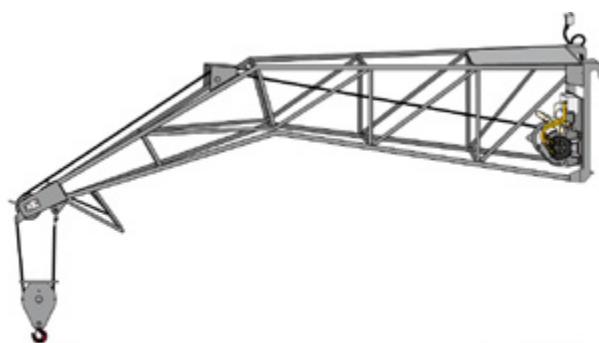


Fly jib with winch

Ideal for lifting, transport and positioning of suspended loads.

FEATURES

- ✓ Type-approved safety hook block fitted with safety tang slewing over 360°.
- ✓ High stiffness, low-weight trellis structure
- ✓ Several hook travels are available based on model
- ✓ Load limiter fitted as standard



COMMERCIAL REF. CODE	WEIGHT (kg)	LENGTH* (mm)	MAX HOOK TRAVEL (m)	MAXIMUM CAPACITY (kg)	MACHINE RANGE							
					S.COMP	COMP.	TF	MF	PAN	PROF	HM	ROTO
A1300B	205	3535	23	600	-	●	●	●	●	-	-	●
A1330B	215	3535	23	400	●	-	-	-	-	-	-	-
A1310B	288	1975	25	1500	-	●	●	●	●	-	-	●
A1320B	305	3865	18	900	-	-	-	-	-	●	●	●
A1215B	290	1550	25	2000	-	-	-	-	●	-	-	●

*carriage – hook centre distance

REQUIREMENTS	OPTIONS	LIMITATIONS
-	Fly jib transport equipment	-



Mini-Tower Jib

Telescopic structure for lifting and shifting materials.

FEATURES

- ✓ Boom extends up to 6500 mm
- ✓ Shifting also possible with boom angled (+/- 30°)
- ✓ Fitted with hydraulic load limiter and travel limit switch
- ✓ Maximum hook travel - 29 metres



COMMERCIAL REF. CODE	WEIGHT (kg)	MIN - MAX LENGTH (mm)	MAXIMUM CAPACITY (kg)	MACHINE RANGE								
				S.COMP	COMP.	TF	MF	PAN	PROF	HM	ROTO	
A1350A	350	3820-6500	400	-	-	-	-	-	-	-	-	●*

*only Roto MCSS

HOOK VERTICAL TRAVEL (m)	HOOK HORIZONTAL TRAVEL (m)	MAXIMUM HOOK SPEED (m/min)
29	5,30	17

REQUIREMENTS	OPTIONS	LIMITATIONS
-	-	-

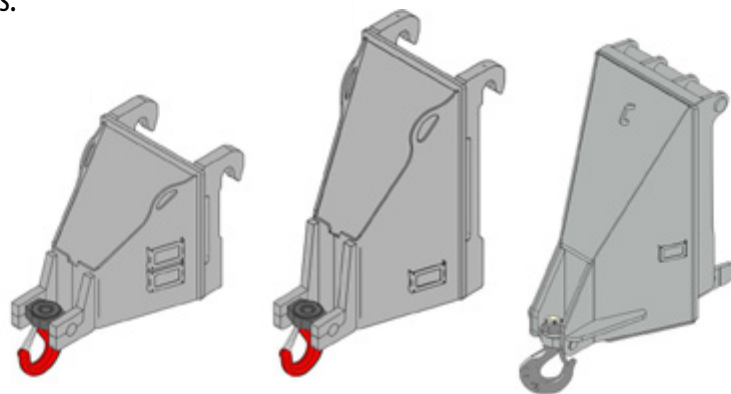


Lifting hook on carriage

Attachment designed for lifting and handling suspended loads.

FEATURES

- ✓ Ideal for the construction and industry sectors
- ✓ Type-approved safety hook fitted with safety tang slewing over 360°.
- ✓ Compact attachment
- ✓ Possibility of reaching the machine's maximum capacity



COMMERCIAL REF. CODE	WEIGHT (kg)	LENGTH* (mm)	MAXIMUM CAPACITY (kg)	MACHINE RANGE							
				S.COMP	COMP.	TF	MF	PAN	PROF	HM	ROTO
A1000	100	560	4500	●	●	●	●	●	-		●
A1001	148	560	7500	-	-	-	-	-	●	●	●
A1003	320	675	12000	-	-	-	-	-	-	●	-

*carriage – hook centre distance

REQUIREMENTS	OPTIONS	LIMITATIONS
-	-	-

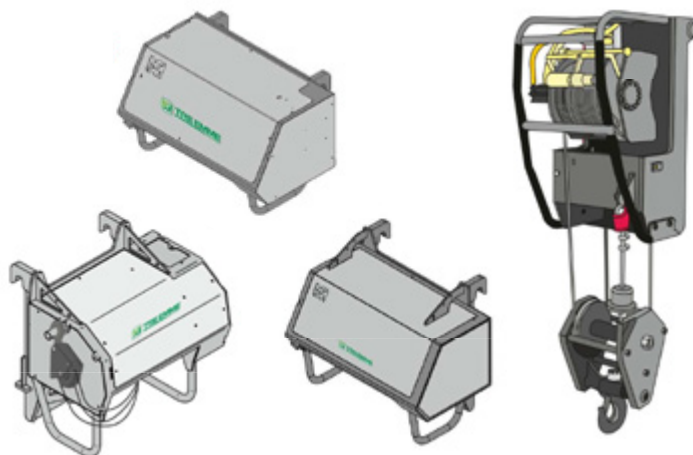


Hydraulic winch on carriage

Attachment designed for lifting suspended loads.

FEATURES

- ✓ Fitted with an idler system to ensure cable-drum adherence
- ✓ Support available for transporting a winch on the machine (only for certain models - optional)
- ✓ Hook speed between 28 and 11 m/min
- ✓ Simplified maintenance



COMMERCIAL REF. CODE	WEIGHT (kg)	WIDTH (mm)	MAX HOOK TRAVEL (m)	MAXIMUM CAPACITY (kg)	MACHINE RANGE							
					S.COMP	COMP	TF	MF	PAN	PROF	HM	ROTO
A2765	575	1160	30	4000	-	●	●	●	●	-	-	●
A2767B	570	1110	24	5000	-	-	-	-	-	●	●	●
A2768	530	1110	18/24*	6000/4000*	-	-	-	-	-	-	●	●
A2772B	-	880	13	10000	-	-	-	-	-	-	●	-

*dual towing/triple towing

REQUIREMENTS	OPTIONS	LIMITATIONS
-	Winch transport equipment (only for certain machine models)	-

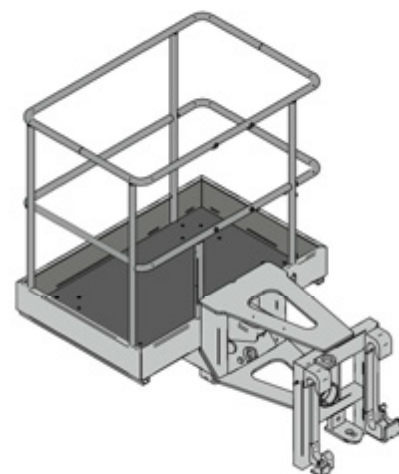


Fixed platform

Platform designed for safe lifting of 2 people.

FEATURES

- ✓ *Maximum safety*
- ✓ *Non-slip floor*
- ✓ *Easy access to work level*
- ✓ *Equipped with a load-sensing device with pre-alarm and alarm*



COMMERCIAL REF. CODE	WEIGHT (kg)	WIDTH (mm)	MAXIMUM CAPACITY (kg)	PERSON	MACHINE RANGE							
					S.COMP	COMP.	TF	MF	PAN	PROF	HM	ROTO
A1740.1	230	1140	200	2	●	●	●	●	-	●	-	-
A1741.1	230	1140	300	2	-	-	-	-	●	-	-	●
A1741A.1	225	1140	300	2	-	-	-	-	-	-	●	●

REQUIREMENTS	OPTIONS	LIMITATIONS
Provision for platform	-	not compatible with radial wheels. The combination of an overhead working platform to a machine must be expressly authorized by Merlo SPA

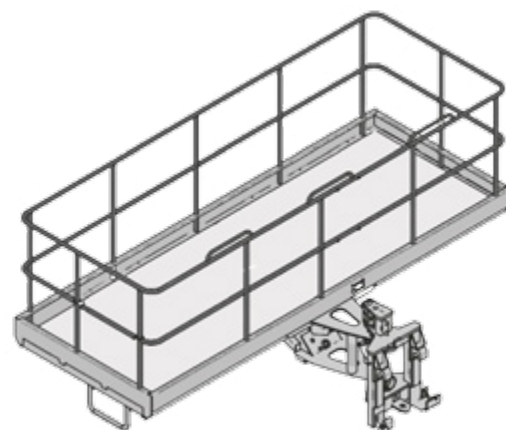


Slewing platform

Platform designed for safe lifting of two/three people.

FEATURES

- ✓ *Hydraulically operated platform side rotation*
- ✓ *Equipped with control panel for managing machine and attachment movements*
- ✓ *Easy access to the platform area*
- ✓ *Version available with upper guard*



COMMERCIAL REF. CODE	WEIGHT (kg)	WIDTH (mm)	MAXIMUM CAPACITY (kg)	PERSON	MACHINE RANGE							
					S.COMP	COMP.	TF	MF	PAN	PROF	HM	ROTO
A1829.1	670	4000	1000	3	-	-	-	-	●	-	-	●
A1742.1	410	2300	300	3	-	-	-	●	●	-	-	●
A1742A.1	410	2300	300	3	-	-	-	-	-	●	●	●
A1834.1*	460	2380	300	3	-	-	-	-	●	-	-	●
A1834A.1*	460	2380	300	3	-	-	-	-	-	-	●	●

*version with upper guard (A1834.1, A1834A.1)

REQUIREMENTS	OPTIONS	LIMITATIONS
Provision for platform	-	The combination of an overhead working platform to a machine must be expressly authorized by Merlo SPA

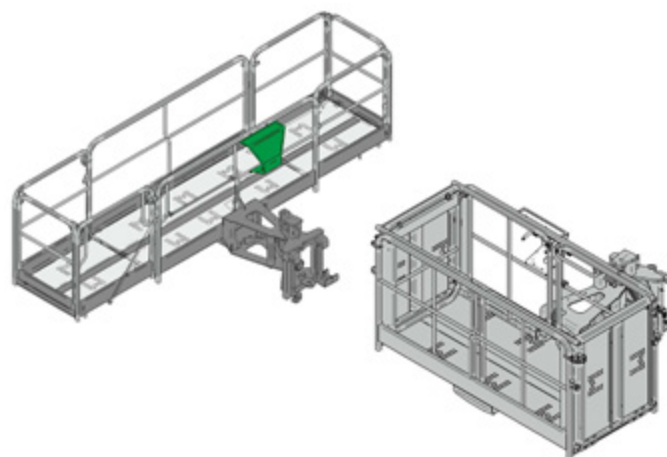


Variable width slewing platform

Platform designed for safe lifting of two/three people.

FEATURES

- ✓ *Lightweight structure to provide larger work area*
- ✓ *Hydraulically operated platform side rotation*
- ✓ *Manual opening of the two extending structures, performed from inside and at height*
- ✓ *Load limiter fitted as standard*



COMMERCIAL REF. CODE	WEIGHT (kg)	WIDTH (m)	MAXIMUM CAPACITY (kg)	PERSON	MACHINE RANGE								
					S.COMP	COMP.	TF	MF	PAN	PROF	HM	ROTO	
A1827.1	510	2,3/4,5	300	3	-	-	-	-	-	●	-	-	●
A1827A.1	578	2,3/4,5	300	3	-	-	-	-	-	-	-	●	●
A1827B.1	654	2,3/4,5	300	3	-	-	-	-	-	-	-	●	-
A1831.1	530	2,3/4,5	800	3	-	-	-	-	-	●	-	-	●
A1831A.1	566	2,3/4,5	800	3	-	-	-	-	-	-	-	●	●
A1828.1	530	2,3/5	300	3	-	-	-	-	-	●	-	-	●
A1828A.1	566	2,3/5	300	3	-	-	-	-	-	-	-	●	●

REQUIREMENTS	OPTIONS	LIMITATIONS
Provision for platform	-	The combination of an overhead working platform to a machine must be expressly authorized by Merlo SPA

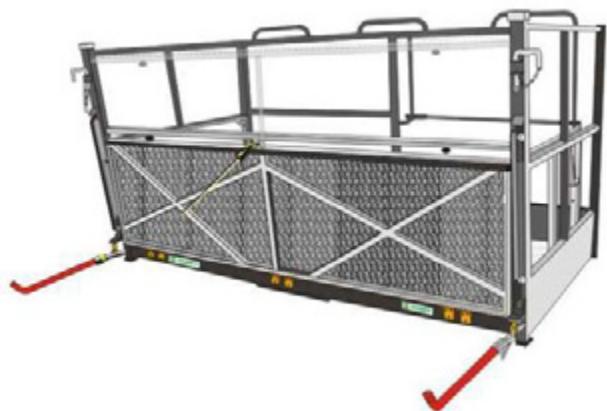


Platform with front opening

Platform designed for safe lifting of two/three people.

FEATURES

- ✓ Ideal for work at height
- ✓ Hydraulically operated platform side rotation
- ✓ Equipped with control panel for managing machine and attachment movements
- ✓ Tip-over front protection



COMMERCIAL REF. CODE	WEIGHT (kg)	WIDTH (mm)	MAXIMUM CAPACITY (kg)	PERSON	MACHINE RANGE							
					S.COMP	COMP.	TF	MF	PAN	PROF	HM	ROTO
A1743.1	555	2400	800	3	-	-	-	-	●	-	-	●
A1743A.1	525	2400	800	3	-	-	-	-	-	-	-	●

REQUIREMENTS	OPTIONS	LIMITATIONS
Provision for platform	-	Not for sale in France. The combination of an overhead working platform to a machine must be expressly authorized by Merlo SPA

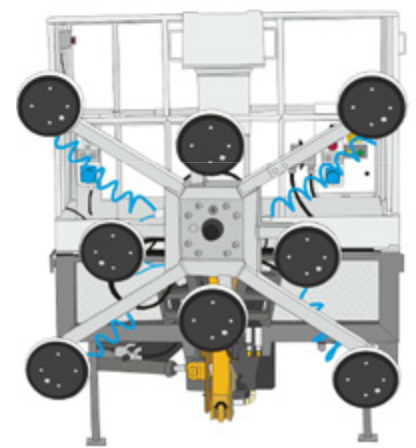
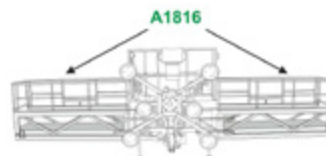


Panel handling platform

Attachment designed for handling and positioning glass panels.

FEATURES

- ✓ Fitted with ball-joint boom for suction pads
- ✓ Complete with two electrical sockets for using electrical equipment
- ✓ Removable control panel
- ✓ Side extensions available



COMMERCIAL REF. CODE	WEIGHT (kg)	WIDTH (mm)	MAXIMUM CAPACITY (kg)	PERSON	MACHINE RANGE								
					S.COMP	COMP.	TF	MF	PAN	PROF	HM	ROTO	
A1833.1	7100	1725	700	2	-	-	-	-	-	-	-	-	●

REQUIREMENTS	OPTIONS	LIMITATIONS
Provision for platform Pre-arrangement for panel fitting	Side extensions	The combination of an overhead working platform to a machine must be expressly authorized by Merlo SPA



Space platform

Platform designed for safe lifting of two people.

FEATURES

- ✓ Allows use in a broad range of situations
- ✓ Telescopic platform boom
- ✓ Negative and positive operativity
- ✓ Rotation on carriage axis by +180°/-130°



COMMERCIAL REF. CODE	WEIGHT (kg)	WIDTH (mm)	MAXIMUM CAPACITY (kg)	OPERATIVITY (m)	MACHINE RANGE							
					S.COMP	COMP.	TF	MF	PAN	PROF	HM	ROTO
A1873.1	615	1265	200	+11/-9	-	-	-	-	●	-	-	●
A1873A.1	615	1265	200	+11/-9	-	-	-	-	-	-	-	●
A1875	590	1265	200	+9/-7	-	-	-	-	●	-	-	-

REQUIREMENTS	OPTIONS	LIMITATIONS
Provision for platform	-	The combination of an overhead working platform to a machine must be expressly authorized by Merlo SPA



Material handler

Attachment ideal for handling materials such as bricks and building blocks.

FEATURES

- ✓ Ideal for every kind of industrial sector
- ✓ Access door to loading area fitted with closure lock
- ✓ Lightweight, sturdy structure
- ✓ It is compatible with ZM2 and ZM3 carriages



COMMERCIAL REF. CODE	WEIGHT (kg)	WIDTH (mm)	MAXIMUM CAPACITY (kg)	MACHINE RANGE							
				S.COMP	COMP.	TF	MF	PAN	PROF	HM	ROTO
A1900	200	1200	1000	●	●	●	●	●	●	●	●

REQUIREMENTS	OPTIONS	LIMITATIONS
-	-	Only to be used for carrying materials .

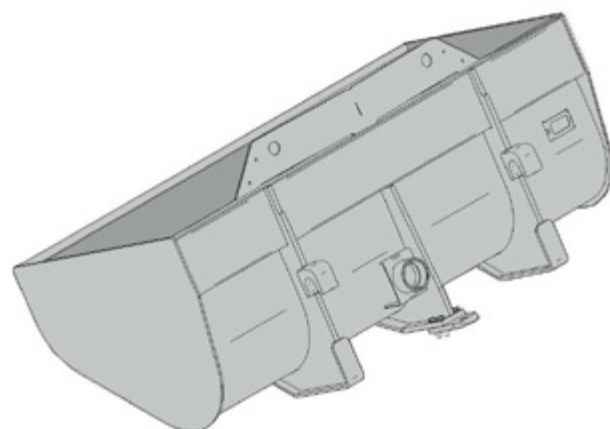


Material container

Ideal for handling materials.

FEATURES

- ✓ Ideal for every kind of industrial sector
- ✓ Specific attachment for Roto range
- ✓ Easy material loading/unloading
- ✓ Lightweight, sturdy structure



COMMERCIAL REF. CODE	WEIGHT (kg)	WIDTH (mm)	LOAD CAPACITY (l)	MAXIMUM CAPACITY (kg)	MACHINE RANGE								
					S.COMP	COMP.	TF	MF	PAN	PROF	HM	ROTO	
A0844	410	2000	1250	1500	-	-	-	-	-	-	-	-	●
A0849	410	2000	1250	1500	-	-	-	-	-	-	-	-	●

REQUIREMENTS	OPTIONS	LIMITATIONS
-	-	-



Double log clamp

Clamp designed to handle trunks, forestry and agricultural work.

FEATURES

- ✓ High-strength
- ✓ Independent hold booms
- ✓ Easy to use: single hydraulic command
- ✓ High manoeuvrability



COMMERCIAL REF. CODE	WEIGHT (kg)	WIDTH (mm)	MAXIMUM CAPACITY (kg)	DIAMETER MIN - MAX (mm)	MACHINE RANGE							
					S.COMP	COMP.	TF	MF	PAN	PROF	HM	ROTO
A2200	590	1215	7000	150-1000	-	●	●	●	●	●	●	●

REQUIREMENTS	OPTIONS	LIMITATIONS
-	-	-

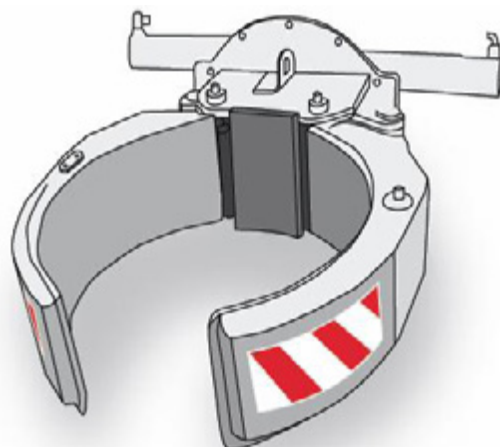


Drum clamp

Attachment for pick-up and handling of drums and similar materials.

FEATURES

- ✓ Ideal for every kind of industrial sector
- ✓ 360° rotary clamp
- ✓ Handling of drums measuring 600 to 700 mm in diameter
- ✓ Easy to use



COMMERCIAL REF. CODE	WEIGHT (kg)	BARREL DIAMETER MAX-MIN (mm)	MAXIMUM CAPACITY (kg)	MACHINE RANGE							
				S.COMP	COMP.	TF	MF	PAN	PROF	HM	ROTO
A2210	275	600-700	600	-	●	●	●	●	-	-	●

REQUIREMENTS	OPTIONS	LIMITATIONS
Pre-arrangement for 2-function attachment	-	-

Merlo precision and technology

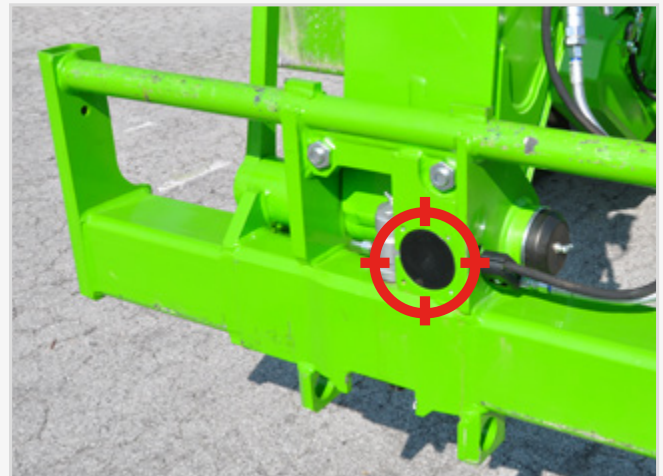
Dynamic load control

The Merlo Group considers safety as an absolutely essential value and this is why it invented the M CDC system. The objective is to allow every operator to work in total safety by fully exploiting the potential of the telehandler and the attachment used. The Merlo CDC system means that the handler has automatic recognition of the attachment fitted and consequently calibrates its performance in relation to specific load charts. The operator can check at any time the dynamic equilibrium of the vehicle, thanks to the traffic light on the front upright. For manoeuvres that may give rise to a telehandler stability risk, the M CDC system will block the boom and prevent any further movements that may worsen the situation.

Automatic recognition of the attachment



Sensor on the attachment



Sensor on the carriage

The original MERLO attachments intended to be introduced in countries belonging to the European Union are declared to be compliant with Directive 2006/42/EC. It should be noted that the responsibility arising from the installation and use of NON original Merlo attachments on machines manufactured by Merlo SPA lies entirely with the installer and with the user and not Merlo SPA.



Notes



Notes





ATTACHMENTS

The data, features and illustrations contained in this document are for indicative purposes only, and are not binding. Merlo Spa pursues a policy of continual research and development, and as such, our products may feature characteristics that differ from those described or may be subject to modification without prior notice. The products illustrated may include optional equipment.

ATTACH
0217 EN



MERLO S.P.A.

Via Nazionale, 9 - 12010 S. Defendente di Cervasca - Cuneo - Italy

Tel. +39 0171 614111 - Fax +39 0171 684101

www.merlo.com - info@merlo.com