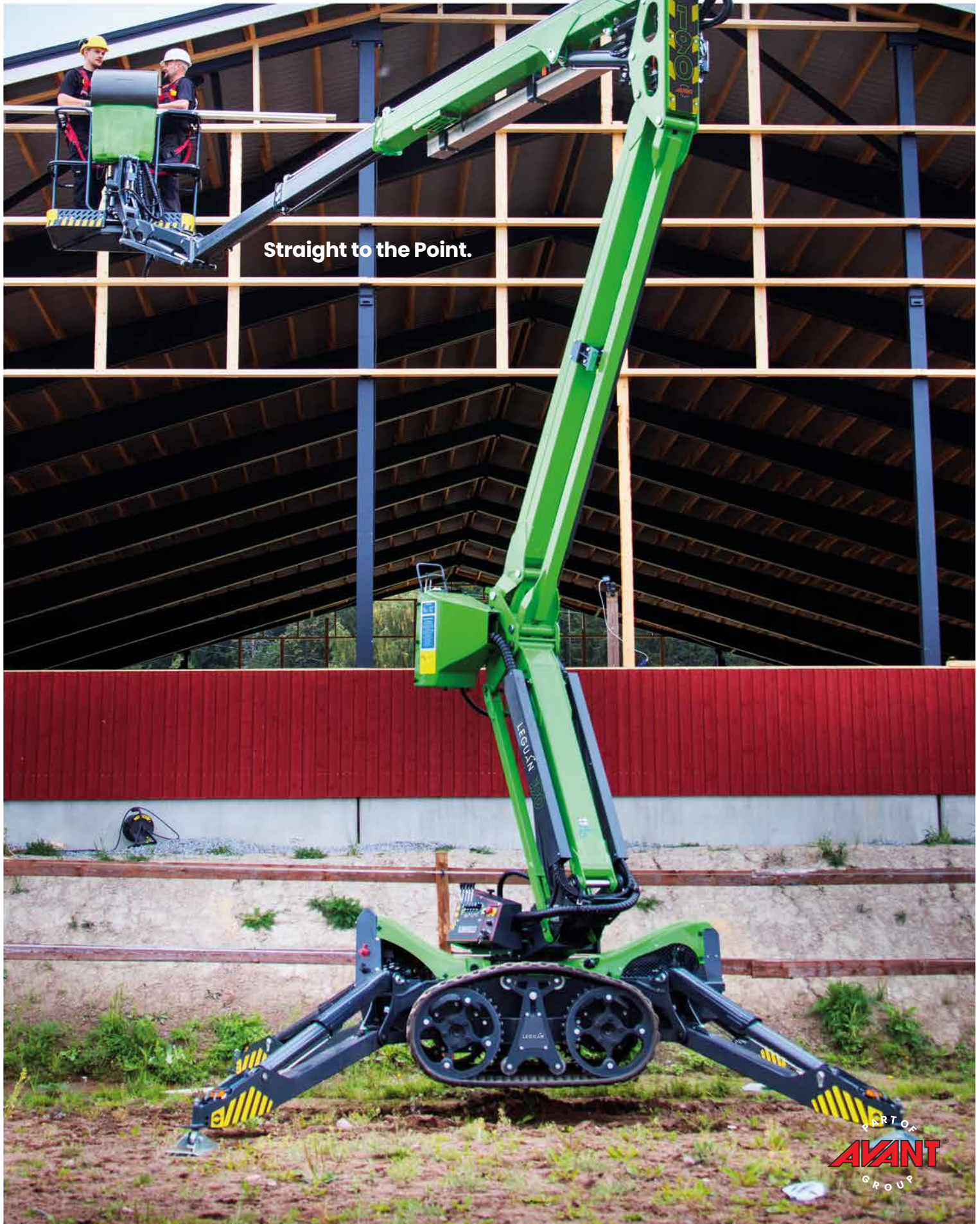


LEGUAN®

Versatile and reliable
self-propelled access platforms.

Straight to the Point.



PART OF
AVANT
GROUP

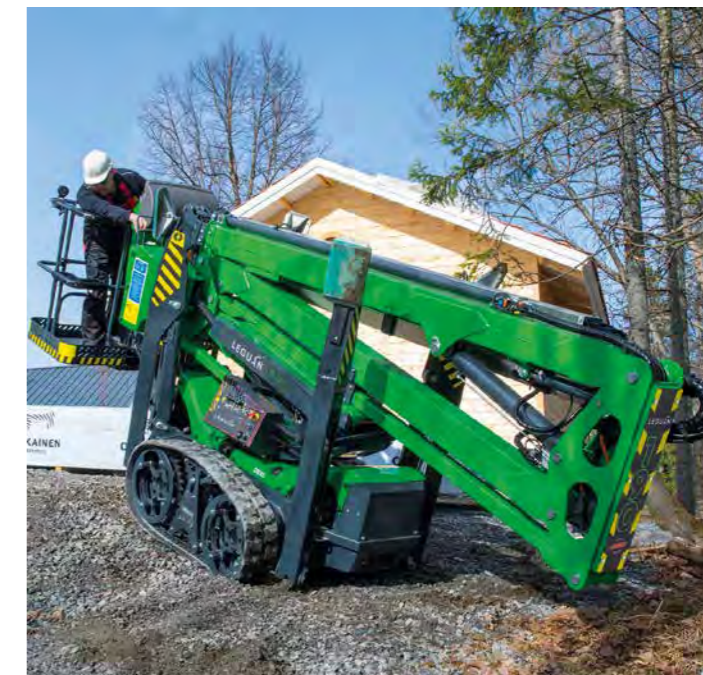
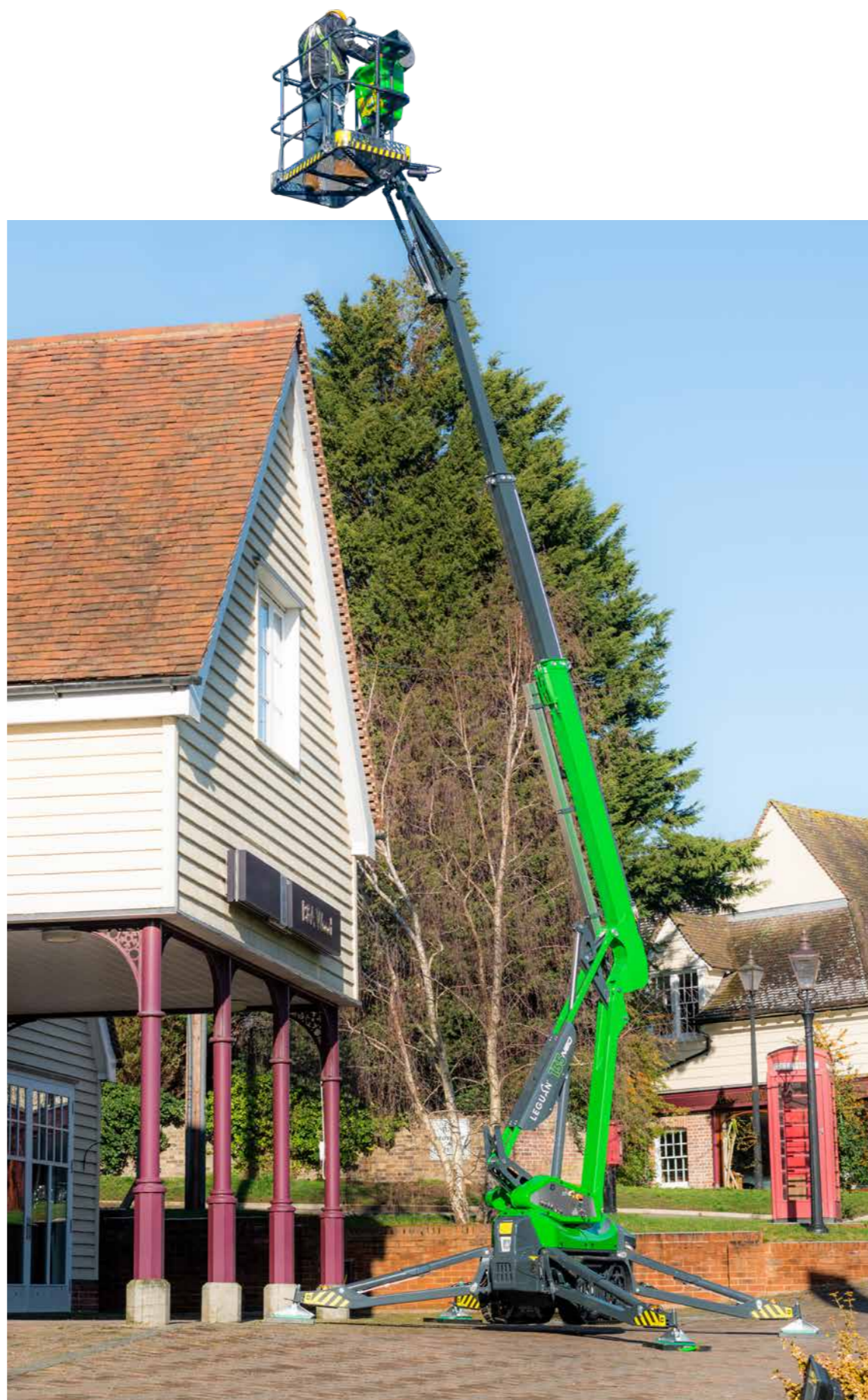
Leguan Lifts.

LEGUAN LIFTS specializes in designing and manufacturing reliable and technologically advanced self-propelled access platforms. Leguan has a long tradition in this field; the first self-propelled access platform with outriggers was introduced in 1994. Leguan Lifts is part of the fast-growing Avant Tecno Group from Finland.

Every spider lift is designed with extraordinary all-terrain capabilities and robust boom structure, which makes Leguans versatile and fit for any access job. Leguans are built to withstand all climates from the heat of Australia to the freezing cold winters of the Nordics. In recent years, Leguan Lifts has completely restructured their product selection introducing many unseen features and the most user-friendly interface to date.



LEGUAN LIFTS maintains close relationships with major customers and international distributors to ensure the highest standard of customer satisfaction and product development process. As a member of IPAF, Leguan Lifts promotes the safe and effective use of MEWPs worldwide.



Versatile.

Leguan spider lifts are known for their exceptional off-road capabilities, and industry-leading gradeability. Sturdy track or tire chassis with leading ground clearance and travel speeds ensure rapid transitioning through snow or mud. The fuel-efficient combustion engine and silent electric operation makes Leguan a great fit for both inside and outside use, and the compact size makes transportation easy.

Intuitive and user-friendly.

Advanced hydraulic design allows smooth and simultaneous boom movements, which makes it easy to maneuver Leguans in narrow places and maintain distance to walls. The new Leguan spider lifts are equipped with user-friendly features such as automatic levelling that allows effortless outrigger levelling with just a single push of a button, even on challenging terrain.

Next generation features.

Both the safety features and the proportional outreach monitoring system is controlled by a modern PLC that ensures the highest standard of safety combined with unrivalled outreach in all situations. Leguan Lifts lead the way with superior industrial design, numerous technological innovations and smart energy saving functions, which provide Leguans with high resale values over time.

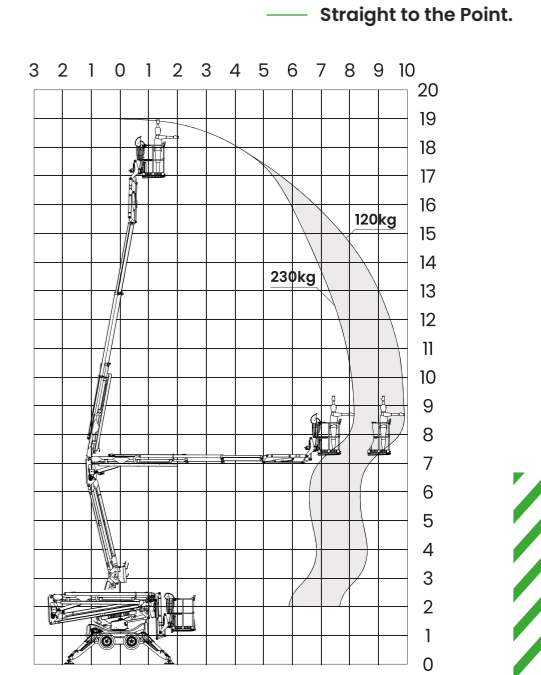


Spider lifts.

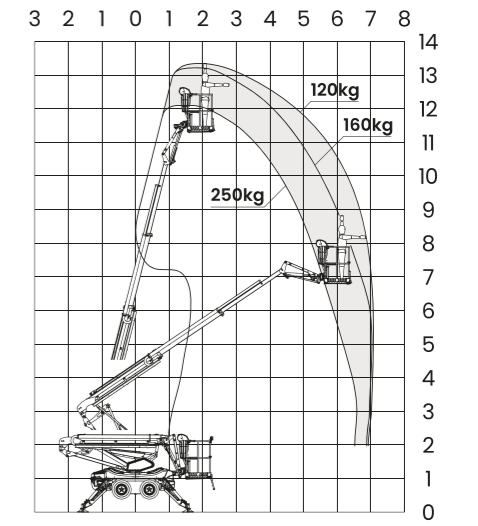
LEGUAN product line consists of self-propelled access platforms or spider lifts that are designed both for indoor and outdoor use. You can choose how to equip your Leguan from vast selection of accessories and transport your Leguan easily with a lightweight trailer.



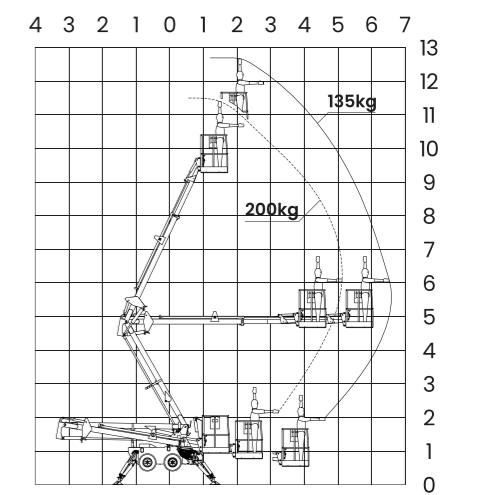
190



135 NEO



125



— Straight to the Point.

Leguan 190.



190

19.0 m
max. working height

9.8 m
max. side reach

230 kg
max. lift capacity

Robust and steady spider lift with all-terrain capabilities.

LEGUAN 190 is an access platform designed for heavy duty professional and rental use. In the design of the spider lift, special attention has been paid to durability, excellent up-and-over clearance and user-friendly interface. Leguan 190 is the right choice for tree care, painters, construction work and facility maintenance.

High ground clearance and steady, protected tracked (or 4WD) base provide fast and smooth access on rough terrain. All Leguans are designed to be driven safely while standing on the platform to increase efficiency while transitioning on site. Many leading features such as the automatic levelling is standard, but operators can also opt for many optional features such as the extra speed for the fastest driving speed in the market.

190



Leguan 190.

Standard features.

- 14 hp Kubota diesel engine + 230 V electric motor
- 230 V and 12 V power outlets on platform
- Automatic engine RPM control
- Automatic levelling of the outriggers
- Proportional outreach monitoring system
- Electric rotation of the platform
- JIB-boom with 120-degree operating range
- Electric and hand pump powered emergency lowering
- Lower controls with integrated service display
- 12 V booster points

Optional features.

- Extra drive speed (max. 5.2 km/h)
- Remote control for driving and outriggers
- Platform control panel lighting and LED spotlights
- Tool trays on platform
- Outrigger beacons
- Hose to platform (air/water)
- Signal horn
- Engine heater
- Larger plates for outriggers
- Non-marking tracks / tyres
- Narrow single person platform
- Leguan special trailer

Technical features.

Max. lift capacity	230 kg (2 persons)
Max. working height	19.00 m
Max. platform height	17.00 m
Max. outreach	8.1 m (230 kg) – 9.8 m (120 kg)
Transport dimensions, L x W x H	5.1 x 1.33 x 2.01 m
Platform dimensions	1.33 x 0.75 m
Rotation of the platform	90° (±45°)
Slewing	360°
Gradeability	40% (22°)
Dimensions w/o platform, L x W	4.44 x 1.25 m
Outrigger support dimensions	3.60 x 3.69 m
Max. slope for outriggers	21% (12°)
Weight	2,660 kg
Engine	Kubota 14 hp diesel or 230 V / 2.2 kW electric
Drive system: hydraulic	4WD / tracks
Max. drive speed	2.6 km/h (5.2 km/h option)

Leguan 135 NEO.



135 NEO

13.4 m
max. working height

7.1 m
max. side reach

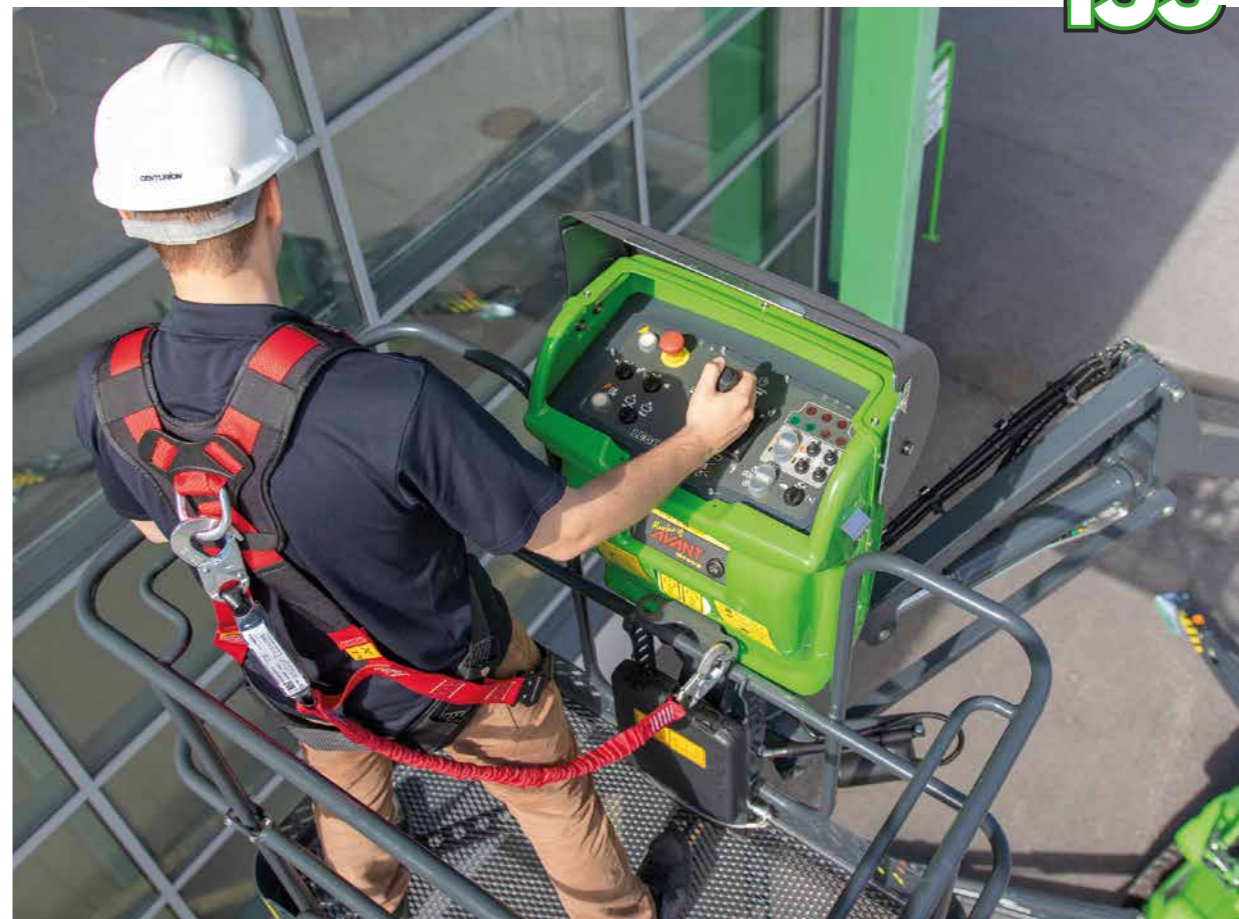
250 kg
max. lift capacity

User-friendly and versatile joystick-controlled spider lift.

135 NEO represents new generation of spider lifts combining easy-to-use interface, heavy lifting capacity, and efficiency-enhancing technology. The state-of-the-art joystick control allows simultaneous use of multiple boom movements with just one hand. Setting up or finishing the operation is efficient with the help of the smart automatic levelling function and the home function that brings booms automatically back to transport position.

Transitioning the Leguan 135 NEO through tight entrances is easy due to smooth drive control and small width of the spider lift. The new innovative boom structure helps the operator to maintain distance to the walls and the unparalleled user interface makes controlling the spider lift easier than ever before. The Leguan 135 NEO is a great fit for rental use and all kinds of facility maintenance and installation work both indoors and outdoors.

135 NEO



Leguan 135 NEO.

Standard features.

- 13 hp Honda petrol engine + 230 V electric motor
- 230 V and 12 V power outlets on platform
- Automatic engine RPM control
- Automatic start-stop function for electric motor
- Automatic levelling of the outriggers
- Proportional outreach monitoring system
- Electric rotation of the platform
- Home function / Back to work position function
- Electric and hand pump powered emergency lowering
- Lower controls
- 12 V booster points

Optional features.

- Platform control panel lighting and LED spotlights
- Remote control for driving and outriggers
- Tool trays on platform
- Outrigger beacons
- Hose to platform (air/water)
- Signal horn
- Larger plates for outriggers
- Non-marking tracks / tyres
- Narrow single person platform
- Leguan special trailer

Technical features.

Max. lift capacity	250 kg (2 persons)
Max. working height	13.40 m
Max. platform height	11.40 m
Max. outreach	7.1 m (120 kg) – 6.6 m (250 kg)
Transport dimensions, L x W x H	4.58 x 1.33 x 1.93 m
Platform dimensions	1.33 x 0.75 m
Rotation of the platform	80° (±40°)
Slewing	360°
Gradeability	40% (22°)
Dimensions w/o platform, L x W	3.91 x 0.89 m
Outrigger support dimensions	3.27 x 3.29 m
Max. slope for outriggers	21% (12°)
Weight	1,650 kg
Engine	Honda 13 hp petrol or 230 V / 2.2 kW electric
Drive system: hydraulic	4WD / tracks
Max. drive speed	2.5 km/h

Leguan 125.



125

12.5 m
max. working height

6.5 m
max. side reach

200 kg
max. lift capacity

Easily transportable and reliable spider lift.

LEGUAN 125 is a compact sized spider lift designed for versatile professional aerial jobs. This spider lift has proved its worth and usefulness on thousands of worksites around the world.

Low center of gravity makes Leguan 125 easy to maneuver on rough terrain, and light gross weight makes transportation of the spider lift easy without the need for heavy-duty hauling equipment. Leguan 125 boasts one of the fastest transition speeds as standard and powerful tracked or 4WD drive makes turning easy even in tight places.

125



Leguan 125.

Standard features.

- 13 hp Honda petrol engine + 230 V electric motor
- 230 V power outlet on platform
- Two outreach areas (depending on platform load)
- LED indicators for outriggers
- Electric emergency lowering

Optional features.

- Lower controls
- Jockey wheel
- Beacons on outriggers and boom
- Hose to platform (air/water)
- Larger plates for outriggers
- Leguan special trailer

Technical features.

Max. lift capacity	200 kg (2 persons)
Max. working height	12.50 m
Max. platform height	10.50 m
Max. outreach	6.5 m (135 kg) – 5.1 m (200 kg)
Transport dimensions, L x W x H	5.23 x 1.20 x 1.81 m
Platform dimensions	1.20 x 0.77 m
Slewing	360°
Gradeability	50% (27°)
Dimensions w/o platform, L x W	4.50 x 1.00 m / 4WD 4.50 x 1.10 m TRD
Outrigger support dimensions	3.04 x 3.22 m
Max. slope for outriggers	22% (13°)
Weight, tracks / 4WD	1,700 kg / 1,500 kg
Engine	Honda 13 hp petrol or 230 V / 2.2 kW electric
Drive system: hydraulic	4WD / tracks
Max. drive speed	4.1 km/h

Optional features.

LEGUAN spider lifts are always well-equipped and come with many advanced features as standard to ensure the highest efficiency. However, you can equip your own Leguan with many additional features to match the requirements of your line of work or job sites.

Some of the most popular optional features are the LED lighting for the operating panel, which allows better visibility of the controls in darker conditions, and the outrigger beacons that improve work safety. For the colder climates we recommend engine heater for the diesel engine. Inquiry more about the standard and optional features from your local Leguan dealer.



Standard features.	125.	135 Neo.	190.
4WD chassis (tractor or grass tyres)	<input checked="" type="checkbox"/>	<input checked="" type="checkbox"/>	<input checked="" type="checkbox"/>
Engine, petrol/diesel	petrol	petrol	diesel
Automatic engine RPM control	<input checked="" type="checkbox"/>	<input checked="" type="checkbox"/>	<input checked="" type="checkbox"/>
Electric motor 230 V / 2.2 kW	<input checked="" type="checkbox"/>	<input checked="" type="checkbox"/>	<input checked="" type="checkbox"/>
Automatic start-stop function for electric motor	<input checked="" type="checkbox"/>	<input checked="" type="checkbox"/>	<input checked="" type="checkbox"/>
230 V and 12 V power outlets on platform	only 230 V	<input checked="" type="checkbox"/>	<input checked="" type="checkbox"/>
Lower controls (incl. hand pump for emergency lowering)	<input checked="" type="checkbox"/>	<input checked="" type="checkbox"/>	<input checked="" type="checkbox"/>
Service display (at lower controls)	<input checked="" type="checkbox"/>	<input checked="" type="checkbox"/>	<input checked="" type="checkbox"/>
Electric emergency lowering (at platform and lower controls)	<input checked="" type="checkbox"/>	<input checked="" type="checkbox"/>	<input checked="" type="checkbox"/>
Electric rotation of the platform	<input checked="" type="checkbox"/>	<input checked="" type="checkbox"/>	<input checked="" type="checkbox"/>
12 V booster points (starter battery)	<input checked="" type="checkbox"/>	<input checked="" type="checkbox"/>	<input checked="" type="checkbox"/>
Protection pads for the outrigger plates	<input checked="" type="checkbox"/>	<input checked="" type="checkbox"/>	<input checked="" type="checkbox"/>
Home function / Back to work position function	<input checked="" type="checkbox"/>	<input checked="" type="checkbox"/>	<input checked="" type="checkbox"/>
Automatic levelling of the outriggers	<input checked="" type="checkbox"/>	<input checked="" type="checkbox"/>	<input checked="" type="checkbox"/>
Proportional outreach monitoring system (depending on platform load)	<input checked="" type="checkbox"/>	<input checked="" type="checkbox"/>	<input checked="" type="checkbox"/>
Two outreach areas (depending on platform load)	<input checked="" type="checkbox"/>	<input checked="" type="checkbox"/>	<input checked="" type="checkbox"/>
Lockable operating panel cover	<input checked="" type="checkbox"/>	<input checked="" type="checkbox"/>	<input checked="" type="checkbox"/>

Optional features.	125.	135 Neo.	190.
Crawler track chassis	<input checked="" type="checkbox"/>	<input checked="" type="checkbox"/>	<input checked="" type="checkbox"/>
Non-marking tracks or tyres	<input checked="" type="checkbox"/>	<input checked="" type="checkbox"/>	<input checked="" type="checkbox"/>
Industrial foam filled tyres	<input checked="" type="checkbox"/>	<input checked="" type="checkbox"/>	<input checked="" type="checkbox"/>
Grass tyre bags (for sensitive floor materials)	<input checked="" type="checkbox"/>	<input checked="" type="checkbox"/>	<input checked="" type="checkbox"/>
Lower controls	<input checked="" type="checkbox"/>	standard	standard
Extra speed for driving (5.2 km/h)	<input checked="" type="checkbox"/>	<input checked="" type="checkbox"/>	<input checked="" type="checkbox"/>
Remote control for driving and outriggers	<input checked="" type="checkbox"/>	<input checked="" type="checkbox"/>	<input checked="" type="checkbox"/>
Larger plates for outriggers	<input checked="" type="checkbox"/>	<input checked="" type="checkbox"/>	<input checked="" type="checkbox"/>
Outrigger beacons	<input checked="" type="checkbox"/>	<input checked="" type="checkbox"/>	<input checked="" type="checkbox"/>
Hose to platform (air/water)	<input checked="" type="checkbox"/>	<input checked="" type="checkbox"/>	<input checked="" type="checkbox"/>
Engine heater	<input checked="" type="checkbox"/>	<input checked="" type="checkbox"/>	<input checked="" type="checkbox"/>
Tool trays on platform	<input checked="" type="checkbox"/>	<input checked="" type="checkbox"/>	<input checked="" type="checkbox"/>
Platform control panel lighting	<input checked="" type="checkbox"/>	<input checked="" type="checkbox"/>	<input checked="" type="checkbox"/>
LED spotlights on platform	<input checked="" type="checkbox"/>	<input checked="" type="checkbox"/>	<input checked="" type="checkbox"/>
Signal horn	<input checked="" type="checkbox"/>	<input checked="" type="checkbox"/>	<input checked="" type="checkbox"/>
Narrow single person platform	<input checked="" type="checkbox"/>	<input checked="" type="checkbox"/>	<input checked="" type="checkbox"/>
Jockey wheel	<input checked="" type="checkbox"/>	<input checked="" type="checkbox"/>	<input checked="" type="checkbox"/>
Leguan special trailer	2t	2t	3,5t
Summer tyres, non-studded/studded winter tyres	<input checked="" type="checkbox"/>	<input checked="" type="checkbox"/>	<input checked="" type="checkbox"/>
Safety harness with fast fitting and flexi rope	<input checked="" type="checkbox"/>	<input checked="" type="checkbox"/>	<input checked="" type="checkbox"/>
GPS wiring harness	<input checked="" type="checkbox"/>	<input checked="" type="checkbox"/>	<input checked="" type="checkbox"/>
Special colour	<input checked="" type="checkbox"/>	<input checked="" type="checkbox"/>	<input checked="" type="checkbox"/>

Leguan customers.

THE CUSTOMER base of the Leguan is expansive. It is well suited for the tree care industry, rental companies, construction companies, installation companies, and industrial maintenance. Sturdy boom construction, the market's best offroad capabilities and the most efficient transitioning make Leguans versatile and productive spider lifts for all kinds of projects. User-friendly and uncomplicated interface, modern safety features and professional after sales partner network ensure thousands of trouble-free working hours for years to come.

Tree care company, Germany



”

I'VE been blown away by how much it can do. I can only recommend it to all others doing tree care to try the machine out, as it really is worth its weight in gold.”

Rental company, Finland



”

EVEN at this moment, over 75% of their lifts have been rented out so they are in heavy use. Normally, access platforms can be used from the start of spring until the end of fall, but Leguan platforms can be used all year round.”

Rental company, Norway



”

IT IS simply so efficient to use, as it is fast to setup, disassemble and versatile in use. A normal two-day job will be done in a day, if the customer chooses to use a Leguan.

Tree care company, UK



”

WHEN you're up there and it gets a bit windy, some of the other machines tend to move and swirl around a lot. That's not an issue with the Leguan. You feel very safe and secure in comparison to the other machines I've used.”



Avant Tecno UK Ltd.

Unit 2, 122 The Street
Manor Farm
Bridgham, Norwich,
Norfolk, NR16 2RX
tel. 0800 015 8482
www.avant.co.uk



LEGUAN®

Due to continuous improvement, we retain the right to change specifications without notice.
© 2021 Leguan Lifts Oy. All rights reserved.

Leguan Lifts Oy.

Ylötie 10,
33470 Ylöjärvi
FINLAND

www.leguanlifts.com