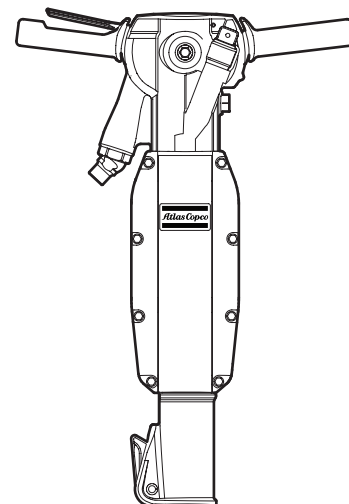


## Safety and operating instructions

### Handheld pneumatic breakers

- (FR)** Prescriptions de sécurité et instructions pour l'opérateur  
Brise-béton pneumatiques portatifs
- (DE)** Sicherheits- und Betriebsanleitung  
Hand-Druckluftschlämmer
- (ES)** Instrucciones de seguridad y de funcionamiento  
Martillos neumáticos manuales
- (PT)** Instruções de segurança e operação  
Demolidores pneumáticos manuais
- (IT)** Istruzioni per la sicurezza e per l'uso  
Demolitori pneumatici manuali
- (NL)** Veiligheidsvoorschriften en bedieningshandleiding  
Handbediende pneumatische sloophamers
- (DK)** Sikkerhedsinstruktioner og betjeningsvejledning  
Håndholdte tryklufthamre
- (SE)** Säkerhetsinstruktion och instruktionsbok  
Handhållna tryckluftsspett
- (PL)** Instrukcja bezpieczeństwa i obsługi  
Ręczny młot pneumatyczny



ENGLISH

# Contents

Introduction.....	7
About the Safety and operating instructions.....	7
<b>Safety instructions.....</b>	<b>8</b>
<b>Safety signal words.....</b>	<b>8</b>
<b>Personal precautions and qualifications.....</b>	<b>8</b>
Personal protective equipment.....	8
Drugs, alcohol or medication.....	8
<b>Installation, precautions.....</b>	<b>8</b>
<b>Operation, precautions.....</b>	<b>9</b>
<b>Maintenance, precautions.....</b>	<b>12</b>
<b>Storage, precautions.....</b>	<b>12</b>
<b>Overview.....</b>	<b>13</b>
<b>Design and function.....</b>	<b>13</b>
<b>Choosing the correct breaker for a task.....</b>	<b>13</b>
<b>Main parts.....</b>	<b>13</b>
<b>Labels.....</b>	<b>14</b>
Data plate.....	14
Noise level label.....	14
Safety label.....	14
<b>Installation.....</b>	<b>14</b>
<b>Hoses and connections.....</b>	<b>14</b>
<b>Methods to prevent freezing.....</b>	<b>15</b>
<b>Connecting a water separator.....</b>	<b>15</b>
<b>Lubrication.....</b>	<b>15</b>
Checking the oil level and filling the integrated lubricator.....	15
<b>Insertion tool.....</b>	<b>15</b>
Selecting the right insertion tool.....	16
Narrow chisel.....	16
Moil point.....	16
Wide bladed chisel.....	16
Checking for wear on the tool shank.....	16
Fitting and removing the insertion tool.....	16
<b>Operation.....</b>	<b>16</b>
<b>Start and stop.....</b>	<b>17</b>
<b>Operating.....</b>	<b>17</b>
Starting a cut.....	17
Breaking.....	17
<b>When taking a break.....</b>	<b>17</b>
<b>Maintenance.....</b>	<b>18</b>
<b>Every day.....</b>	<b>18</b>
<b>Vibration absorbing handles main parts.....</b>	<b>18</b>
<b>Periodic maintenance.....</b>	<b>19</b>
<b>Tightening torques.....</b>	<b>19</b>
<b>Troubleshooting.....</b>	<b>19</b>
<b>Storage.....</b>	<b>19</b>
<b>Disposal.....</b>	<b>19</b>
<b>Technical data.....</b>	<b>20</b>

---

Machine data .....	20
Noise and vibration declaration statement .....	20
Additional vibration information .....	20
Noise and vibration data .....	21
EC Declaration of Conformity .....	22
EC Declaration of Conformity (EC Directive 2006/42/EC) .....	22

## Introduction

Thank you for choosing a product from Atlas Copco. Since 1873, we have been committed to finding new and better ways of fulfilling our customers' needs. Through the years, we have developed innovative and ergonomic product designs that have helped customers improve and rationalize their daily work.

Atlas Copco has a strong global sales and service network, consisting of customer centers and distributors worldwide. Our experts are highly trained professionals with extensive product knowledge and application experience. In all corners of the world, we can offer product support and expertise to ensure that our customers can work at maximum efficiency at all times.

For more information please visit: [www.atlascopco.com](http://www.atlascopco.com)

Atlas Copco Construction Tools AB

105 23 Stockholm

Sweden

## About the Safety and operating instructions

The aim of the instructions is to provide you with knowledge of how to use the pneumatic breaker in an efficient, safe way. The instructions also give you advice and tell you how to perform regular maintenance on the pneumatic breaker.

Before using the pneumatic breaker for the first time you must read these instructions carefully and understand all of them.

## Safety instructions

To reduce the risk of serious injury or death to yourself or others, read and understand the Safety and operating instruction before installing, operating, repairing, maintaining, or changing accessories on the machine.

Post this Safety and operating instruction at work locations, provide copies to employees, and make sure that everyone reads the Safety and operating instruction before operating or servicing the machine.

In addition, the operator or the operator's employer must assess the specific risks that may be present as a result of each use of the machine.

## Safety signal words

The safety signal words Danger, Warning and Caution have the following meanings:

<b>DANGER</b>	Indicates a hazardous situation which, if not avoided, will result in death or serious injury.
<b>WARNING</b>	Indicates a hazardous situation which, if not avoided, could result in death or serious injury.
<b>CAUTION</b>	Indicates a hazardous situation which, if not avoided, could result in minor or moderate injury.

## Personal precautions and qualifications

Only qualified and trained persons may operate or maintain the machine. They must be physically able to handle the bulk, weight, and power of the tool. Always use your common sense and good judgement.

### Personal protective equipment

Always use approved protective equipment. Operators and all other persons in the working area must wear protective equipment, including at a minimum:

- Protective helmet
- Hearing protection
- Impact resistant eye protection with side protection
- Respiratory protection when appropriate
- Protective gloves
- Proper protective boots
- Appropriate work overall or similar clothing (not loose-fitting) that covers your arms and legs.

### Drugs, alcohol or medication

#### ▲ **WARNING** Drugs, alcohol or medication

Drugs, alcohol or medication may impair your judgment and powers of concentration. Poor reactions and incorrect assessments can lead to severe accidents or death.

- ▶ Never use the machine when you are tired or under the influence of drugs, alcohol or medication.
- ▶ No person who is under the influence of drugs, alcohol or medication may operate the machine.

## Installation, precautions

#### ▲ **DANGER** Whipping air hose

A compressed air hose that comes loose can lash around and cause personal injury or death. To reduce this risk:

- ▶ Check that the compressed air hose and the connections are not damaged, replace if necessary.
- ▶ Check that all compressed air connections are properly attached.
- ▶ Never carry a pneumatic machine by the air hose.
- ▶ Never attempt to disconnect a compressed air hose that is pressurized. First switch off the compressed air at the compressor and then bleed the machine by activating the start and stop device.
- ▶ Do not use quick disconnect couplings at tool inlet. Use hardened steel (or material with comparable shock resistance) threaded hose fittings.
- ▶ Whenever universal twist couplings (claw couplings) are used, we recommend that lock pins are installed and whipcheck safety cables are used to safeguard against possible hose to tool and hose to hose connection failure.

#### ▲ **WARNING** Ejected oil plug

If the oil plug on a pressurized machine comes loose it can blow out and cause personal injury.

- ▶ Before loosening the oil plug, the compressed air must be switched off by the compressor and the system must be bled.
- ▶ Before starting the machine, check that the threads on the oil plug and in the lubricator are not damaged or worn out.
- ▶ Check that the O-ring on the oil plug is in place and that it is not damaged or worn out.

### ▲ **WARNING Ejected insertion tool**

If the tool retainer on the machine is not in a locked position, the inserted tool can be ejected with force, which can cause personal injury.

- ▶ Never start the machine while changing the insertion tool.
- ▶ Before changing the insertion tool or accessories, stop the machine, switch off the power supply and bleed the machine by activating the start and stop device.
- ▶ Never point the inserted tool at yourself or anyone else.
- ▶ Make sure that the insertion tool is fully inserted and the tool retainer is in a locked position before the machine is started.
- ▶ Check the locking function by pulling the inserted tool outwards forcefully.

### ▲ **WARNING Moving or slipping insertion tool**

An incorrect dimension of the inserted tool's shank can result in that the inserted tool is lost or is slipping out during operation. Risk of severe injury or crushed hands and fingers.

- ▶ Check that the insertion tool has the shank length and dimensions that the machine is intended for.
- ▶ Never use an insertion tool without a collar.

## Operation, precautions

### ▲ **DANGER Explosion hazard**

If an working tool comes into contact with explosives or explosive gases, an explosion could occur. When working on certain materials and when using certain materials in machine parts, sparks and ignition can occur. Explosions will lead to severe injuries or death.

- ▶ Never operate the machine in any explosive environment.
- ▶ Never use the machine near flammable materials, fumes or dust.
- ▶ Make sure that there are no undetected sources of gas or explosives.

### ▲ **WARNING Unexpected movements**

The inserted tool is exposed to heavy strains when the machine is used. The inserted tool may break due to fatigue after a certain amount of use. If the inserted tool breaks or gets stuck, there may be sudden and unexpected movement that can cause injuries. Furthermore, losing your balance or slipping may cause injury.

- ▶ Make sure that you always keep a stable position with your feet as far apart as your shoulder width, and keeping a balanced body weight.
- ▶ Always inspect the equipment prior to use. Never use the equipment if you suspect that it is damaged.
- ▶ Make sure that the handles are clean and free of grease and oil.
- ▶ Keep your feet away from the inserted tool.
- ▶ Stand firmly and always hold on to the machine with both hands.
- ▶ Never start the machine when it is lying on the ground.
- ▶ Never 'ride' on the machine with one leg over the handle.
- ▶ Never strike or abuse the equipment.
- ▶ Check regularly for wear on the insertion tool, and check whether there are any signs of damage or visible cracks.
- ▶ Pay attention and look at what you are doing.

**▲ WARNING Dust and fume hazard**

Dusts and/or fumes generated or dispersed when using the machine may cause serious and permanent respiratory disease, illness, or other bodily injury (for example, silicosis or other irreversible lung disease that can be fatal, cancer, birth defects, and/or skin inflammation).

Some dusts and fumes created by drilling, breaking, hammering, sawing, grinding and other construction activities contain substances known to the State of California and other authorities to cause respiratory disease, cancer, birth defects, or other reproductive harm. Some examples of such substances are:

- Crystalline silica, cement, and other masonry products.
- Arsenic and chromium from chemically-treated rubber.
- Lead from lead-based paints.

Dust and fumes in the air can be invisible to the naked eye, so do not rely on eye sight to determine if there is dust or fumes in the air.

To reduce the risk of exposure to dust and fumes, do all of the following:

- ▶ Perform site-specific risk assessment. The risk assessment should include dust and fumes created by the use of the machine and the potential for disturbing existing dust.
- ▶ Use proper engineering controls to minimize the amount of dust and fumes in the air and to minimize build-up on equipment, surfaces, clothing, and body parts. Examples of controls include: exhaust ventilation and dust collection systems, water sprays, and wet drilling. Control dusts and fumes at the source where possible. Make sure that controls are properly installed, maintained and correctly used.
- ▶ Wear, maintain and correctly use respiratory protection as instructed by your employer and as required by occupational health and safety regulations. The respiratory protection must be effective for the type of substance at issue (and if applicable, approved by relevant governmental authority).
- ▶ Work in a well ventilated area.
- ▶ If the machine has an exhaust, direct the exhaust so as to reduce disturbance of dust in a dust filled environment.
- ▶ Operate and maintain the machine as recommended in the operating and safety instructions

- ▶ Select, maintain and replace consumables/ working tools/ other accessory as recommended in the operating and safety instructions. Incorrect selection or lack of maintenance of consumables/ inserted tools/ other accessories may cause an unnecessary increase in dust or fumes.
- ▶ Wear washable or disposable protective clothes at the worksite, and shower and change into clean clothes before leaving the worksite to reduce exposure of dust and fumes to yourself, other persons, cars, homes, and other areas.
- ▶ Avoid eating, drinking, and using tobacco products in areas where there is dust or fumes.
- ▶ Wash your hands and face thoroughly as soon as possible upon leaving the exposure area, and always before eating, drinking, using tobacco products, or making contact with other persons.
- ▶ Comply with all applicable laws and regulations, including occupational health and safety regulations.
- ▶ Participate in air monitoring, medical examination programs, and health and safety training programs provided by your employer or trade organizations and in accordance with occupational health and safety regulations and recommendations. Consult with physicians experienced with relevant occupational medicine.
- ▶ Work with your employer and trade organization to reduce dust and fume exposure at the worksite and to reduce the risks. Effective health and safety programs, policies and procedures for protecting workers and others against harmful exposure to dust and fumes should be established and implemented based on advice from health and safety experts. Consult with experts.
- ▶ Residues of hazardous substances on the machine can be a risk. Before undertaking any maintenance on the machine clean it thoroughly.

**▲ WARNING Projectiles**

Failure of the work piece, of accessories, or even of the machine itself may generate high velocity projectiles. During operating, splinters or other particles from the working material may become projectiles and cause personal injury by striking the operator or other persons. To reduce these risk:

- ▶ Use approved personal protective equipment and safety helmet, including impact resistant eye protection with side protection.
- ▶ Make sure that no unauthorised persons trespass into the working zone.
- ▶ Keep the workplace free from foreign objects.
- ▶ Ensure that the work piece is securely fixed.

### **▲ WARNING Splinters hazard**

Using the insertion tool as a hand struck tool can result in splinters hitting the operator and can cause personal injury.

- ▶ Never use an insertion tool as a hand struck tool. They are specifically designed and heat-treated to be used only in a machine.

### **▲ WARNING Slipping, tripping and falling hazards**

There is a risk of slipping or tripping or falling, for example tripping on the hoses or on other objects. Slipping or tripping or falling can cause injury. To reduce this risk:

- ▶ Always make sure that no hose or other object is in your way or in any other person's way.
- ▶ Always make sure you are in a stable position with your feet as far apart as your shoulders width and keeping a balanced body weight.

### **▲ WARNING Motion hazards**

When using the machine to perform work-related activities, you may experience discomfort in the hands, arms, shoulders, neck, or other parts of the body.

- ▶ Adopt a comfortable posture whilst maintaining secure footing and avoiding awkward off-balanced postures.
- ▶ Changing posture during extended tasks may help avoid discomfort and fatigue.
- ▶ In case of persistent or recurring symptoms, consult a qualified health professional.

### **▲ WARNING Vibration hazards**

Normal and proper use of the machine exposes the operator to vibration. Regular and frequent exposure to vibration may cause, contribute to, or aggravate injury or disorders to the operator's fingers, hands, wrists, arms, shoulders and/or nerves and blood supply or other body parts, including debilitating and/or permanent injuries or disorders that may develop gradually over periods of weeks, months, or years. Such injuries or disorders may include damage to the blood circulatory system, damage to the nervous system, damage to joints, and possibly damage to other body structures.

If numbness, persistent recurring discomfort, burning sensation, stiffness, throbbing, tingling, pain, clumsiness, weakened grip, whitening of the skin, or other symptoms occur at any time, when operating the machine or when not operating the machine, stop operating the machine, tell your employer and seek medical attention. Continued use of the machine after the occurrence of any such symptom may increase the risk of symptoms becoming more severe and/or permanent.

Operate and maintain the machine as recommended in these instructions, to prevent an unnecessary increase in vibration.

The following may help to reduce exposure to vibration for the operator:

- ▶ Let the tool do the job. Use a minimum hand grip consistent with proper control and safe operation.
- ▶ If the machine has vibration absorbing handles, keep them in a central position, avoid pressing the handles into the end stops.
- ▶ When the percussion mechanism is activated, the only body contact with the machine you should have are your hands on the handle or handles. Avoid any other contact, for example supporting any part of the body against the machine or leaning onto the machine trying to increase the feed force. It is also important not to keep the start and stop device engaged while extracting the tool from the broken work surface.
- ▶ Make sure that the inserted tool is well-maintained (including sharpness, if a cutting tool), not worn out, and of the proper size. Insertion tools that are not well-maintained, or that are worn out, or that are not of the proper size result in longer time to complete a task (and a longer period of exposure to vibration) and may result in or contribute to higher levels of vibration exposure.
- ▶ Immediately stop working if the machine suddenly starts to vibrate strongly. Before resuming the work, find and remove the cause of the increased vibrations.
- ▶ Never grab, hold or touch the inserted tool when using the machine.



- ▶ Participate in health surveillance or monitoring, medical exams and training programs offered by your employer and when required by law.
- ▶ When working in cold conditions wear warm clothing and keep hands warm and dry.
- ▶ The exhaust air is strongly chilled and shall not make contact with the operator. Always direct the exhaust air away from hands and body.

See the "Noise and vibration declaration statement" for the machine, including the declared vibration values. This information can be found at the end of these Safety and operating instructions.

- ◆ Comply with the recommended air-pressure when operating the machine. Either higher or lower air-pressure has the potential of resulting in higher levels of vibration.

### **▲ DANGER Electrical hazard**

The machine is not electrically insulated. If the machine comes into contact with electricity, serious injuries or death may result.

- ▶ Never operate the machine near any electric wire or other source of electricity.
- ▶ Make sure that there are no concealed wires or other sources of electricity in the working area.

### **▲ WARNING Concealed object hazard**

During operating, concealed wires and pipes constitute a danger that can result in serious injury.

- ▶ Check the composition of the material before operating.
- ▶ Watch out for concealed cables and pipes for example electricity, telephone, water, gas and sewage lines etc.
- ▶ If the inserted tool seems to have hit a concealed object, switch off the machine immediately.
- ▶ Make sure that there is no danger before continuing.

### **▲ WARNING Involuntary start**

Involuntary start of the machine may cause injury.

- ▶ Keep your hands away from the start and stop device until you are ready to start the machine.
- ▶ Learn how the machine is switched off in the event of an emergency.
- ▶ Release the start and stop device immediately in all cases of power supply interruption.
- ▶ Whenever fitting or removing the insertion tool, switch off the air supply, bleed the machine by pressing the start and stop device and disconnect the machine from the power source.

### **▲ WARNING Noise hazard**

High noise levels can cause permanent and disabling hearing loss and other problems such as tinnitus (ringing, buzzing, whistling, or humming in the ears). To reduce risks and prevent an unnecessary increase in noise levels:

- ▶ Risk assessment of these hazards and implementation of appropriate controls is essential.
- ▶ Operate and maintain the machine as recommended in these instructions.
- ▶ Select, maintain and replace the working tool as recommended in these instructions.
- ▶ If the machine has a silencer, check that it is in place and in good working condition.
- ▶ Always use hearing protection.
- ▶ Use damping material to prevent work pieces from 'ringing'.

## Maintenance, precautions

### **▲ WARNING Machine modification**

Any machine modification may result in bodily injuries to yourself or others.

- ▶ Never modify the machine. Modified machines are not covered by warranty or product liability.
- ▶ Always use original parts, working tools and accessories approved by Atlas Copco.
- ▶ Change damaged parts immediately.
- ▶ Replace worn components in good time.

### **▲ CAUTION Hot insertion tool**

The tip of the insertion tool can become hot and sharp when used. Touching it can lead to burns and cuts.

- ▶ Never touch a hot or sharp insertion tool.
- ▶ Wait until the insertion tool has cooled down before carrying out maintenance work.

### **▲ WARNING Working tool hazards**

Accidental engagement of the start and stop device during maintenance or installation can cause serious injuries, when the power source is connected.

- ▶ Never inspect, clean, install, or remove the working tool while the power source is connected.

## Storage, precautions

- ◆ Keep the machine and tools in a safe place, out of the reach of children and locked up.

## Overview

To reduce the risk of serious injury or death to yourself or others, read the **Safety instructions** section found on the previous pages of this manual before operating the machine.

## Design and function

TEX 140PS-TEX 280PE is a range of hand-held, pneumatic breakers designed for medium to heavy demolition of materials such as concrete, asphalt and brickwork. The pneumatic breakers are designed for vertical use. No other use is permitted.

Recommended insertion tools are listed in the spare parts list.

## Choosing the correct breaker for a task

It is important to choose the correct size of breaker for the work to be performed.

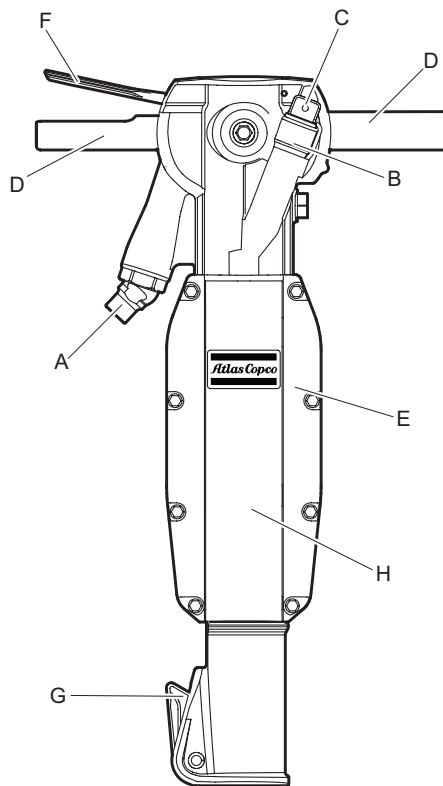
A breaker that is too small means that the work will take longer.

A breaker that is too large means that there must be frequent repositioning, which is unnecessarily tiring for the operator.

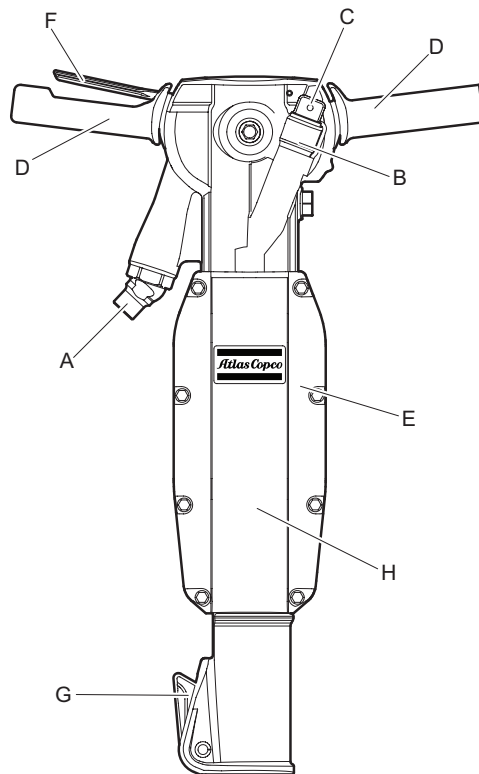
A simple rule for choosing the correct size of breaker is that a normal sized piece of broken material should be removed from the workpiece within 10–20 seconds operation.

- If it takes less than 10 seconds a smaller breaker should be selected.
- If it takes more than 20 seconds a larger breaker should be selected.

## Main parts



TEX 140PS, 180PS, 220PS, 270PS



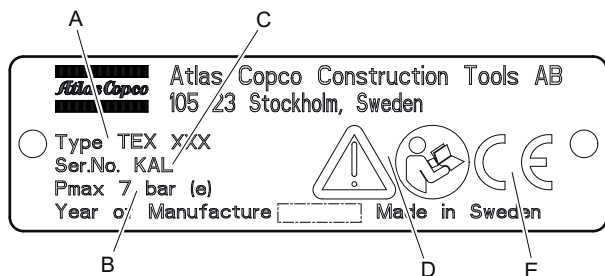
TEX 150PE, 190PE, 230PE, 280PE

- A. Air inlet
- B. Lubricator
- C. Oil plug
- D. Handle
- E. Silencer
- F. Trigger (start and stop device)
- G. Tool retainer
- H. Cylinder

## Labels

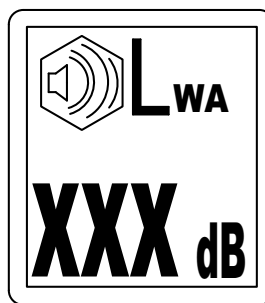
The machine is fitted with labels containing important information about personal safety and machine maintenance. The labels must be in such condition that they are easy to read. New labels can be ordered from the spare parts list.

### Data plate



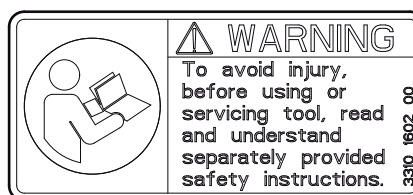
- A. Machine type
- B. Maximum permitted compressed air pressure
- C. Serial number
- D. The warning symbol together with the book symbol means that the user must read the safety and operating instructions before the machine is used for the first time.
- E. The CE symbol means that the machine is EC-approved. See the EC declaration which is delivered with the machine for more information. If the CE symbol is missing, it means that the machine is not EC-approved.

### Noise level label



The label indicates the guaranteed noise level corresponding to EC-directive 2000/14/EC. See "Technical data" for accurate noise level.

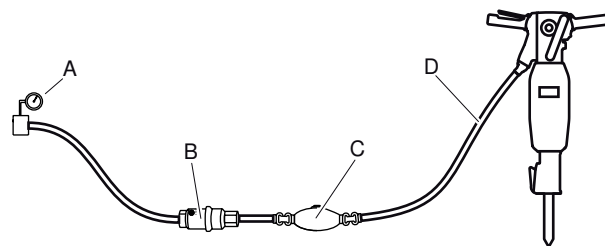
### Safety label



To avoid injury, before using or servicing tool, read and understand separately provided safety instructions.

## Installation

### Hoses and connections



- A. Compressed air source
- B. Water separator (optional)
- C. Lubricator (optional)
- D. Max. 3 m (10 ft) compressed air hose between the lubricator and the machine.

- ◆ Check that you are using the correct recommended operating pressure, 6 bar (e) (87 psi).
- ◆ The maximum permissible air pressure, 7 bar (e) (102 psi), must not be exceeded.
- ◆ Blow any impurities out of the compressed air hose before connecting it to the machine.
- ◆ Select the correct dimension and length for the compressed air hose. For hose lengths up to 30 m (100 ft), a hose with a minimum internal diameter of 19 mm (3/4 in.) must be used. If the hose length is between 30 and 100 m (100 and 330 ft), a hose with a minimum internal diameter of 25 mm (1 in.) must be used.

## Methods to prevent freezing

Ice formation in the silencer can occur when the ambient air temperature is 0–10°C (32–50 °F) and the relative humidity is high.

The machine is designed to avoid the formation of ice in the silencer. Despite this, under extreme conditions ice can form in the silencer.

Take the following actions to further counteract the risk of ice formation:

- ◆ Use Atlas Copco Breaker and hammer AIR-OIL as a lubricant. Breaker and hammer AIR-OIL counteracts freezing.
- ◆ Use a water separator.

## Connecting a water separator

The length of the air hose between the compressor and the water separator must be such that the water vapor is cooled and condenses in the hose before reaching the water separator.

If the ambient temperature is below 0 °C (32 °F) the hose must be short enough to prevent the water from freezing before reaching the water separator.

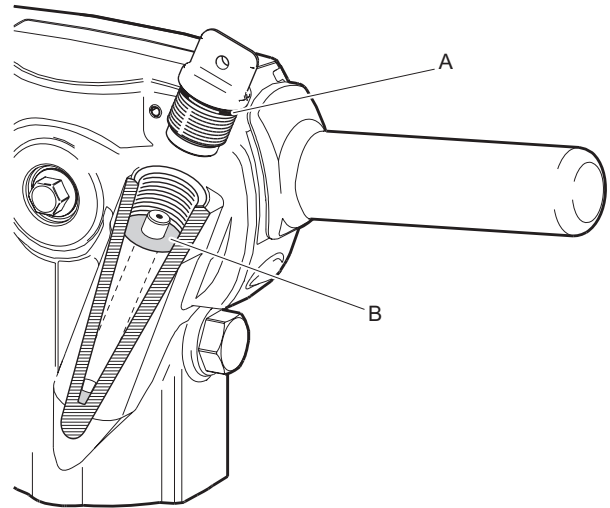
## Lubrication

The lubricant is important for the machine's function and has a great impact on the useful service life. If there is no integrated lubricator, then connect a separate lubricator to the air hose. To guarantee good lubrication, the length of the air hose between the separate lubricator and the pneumatic machine should not exceed 3 meters.

Use a synthetic lubricant such as Atlas Copco Breaker and hammer AIR-OIL or mineral oil with the properties recommended in the table below.

Lubricant	Temperature range (°C)	Viscosity
Breaker and hammer AIR-OIL	-30 to +50	-
Mineral oil/Synthetic oil	+15 to +50	ISO VG 46–68
Mineral oil/Synthetic oil	-20 to +15	ISO VG 22–32

## Checking the oil level and filling the integrated lubricator



- ◆ Check the oil level daily.
- ◆ Place the machine vertically, when checking the oil level, and filling lubricant.
- ◆ Wipe clean around the oil plug and remove it.
- ◆ Check that the threads are not damaged or worn out. Always replace parts with damaged or worn out threads.
- ◆ Check the O-ring (A). If the O-ring is missing or damaged, replace it immediately.
- ◆ See the table for correct lubricant.
- ◆ Fill lubricant to the 'lowest' thread (B).
- ◆ Tighten the plug firmly by hand and wipe off any excessive oil.

## Insertion tool

### ▲ CAUTION Hot insertion tool

The tip of the insertion tool can become hot and sharp when used. Touching it can lead to burns and cuts.

- ▶ Never touch a hot or sharp insertion tool.
- ▶ Wait until the insertion tool has cooled down before carrying out maintenance work.

**NOTICE** Never cool a hot insertion tool in water, it can result in brittleness and early failure.

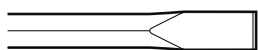
### Selecting the right insertion tool

Selecting the right insertion tool is a precondition for proper machine function. It is important to select insertion tools of high quality to avoid unnecessary machine damage.

The machine can be destroyed if you use an incorrect insertion tool.

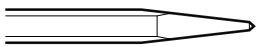
Recommended insertion tools are listed in the machine's spare parts list.

### Narrow chisel



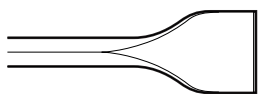
The narrow chisel is used for demolition and cutting work in concrete and other types of hard materials.

### Moil point



The moil point is only used for making holes in concrete and other types of hard materials.

### Wide bladed chisel

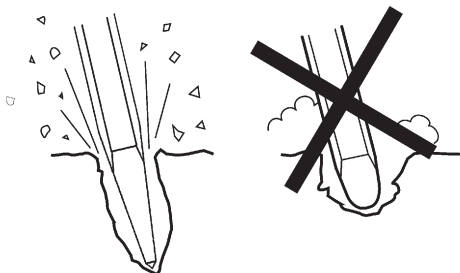


The wide bladed chisel is used in soft materials, such as asphalt and frozen ground.

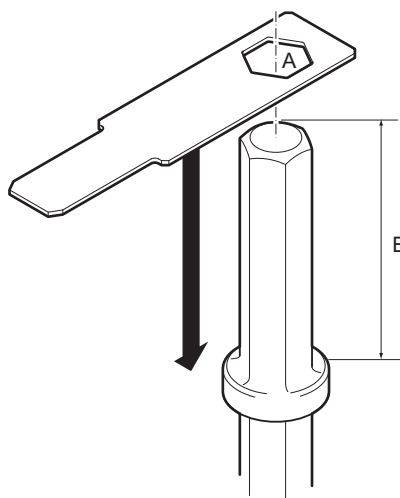
### ▲ WARNING Vibration hazard

Using inserted tools that do not fulfil the criterias mentioned below, will result in a longer time to complete a task, and may result in higher levels of vibration exposure. A worn tool will also cause increased working time.

- ▶ Make sure that the inserted tool is well-maintained, not worn out and of the proper size.
- ▶ Always use a sharp tool in order to work efficiently.



### Checking for wear on the tool shank



Use the gauge that corresponds to the insertion tool's shank dimension. See section "Technical data" for correct tool shank dimensions.

- Check if the gauge's hole (A) can be pushed down on the insertion tool's shank, this means that the shank is worn out and the insertion tool should be replaced.
- Check the length (B), that it is according to the ordered machine type.

### Fitting and removing the insertion tool

Whenever fitting or removing the insertion tool the following instructions must be observed:

- ◆ To prevent an accidental start: switch off the air supply and bleed the machine by pressing the start and stop device. Disconnect the machine from the power source.
- ◆ Before inserting a tool, lubricate the tool shank with grease.
- ◆ Close the tool retainer and check the lock function by tugging the inserted tool sharply outwards.

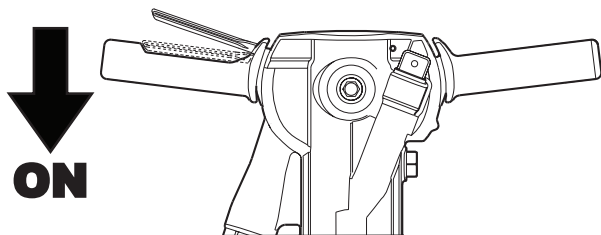
## Operation

### ▲ WARNING Involuntary start

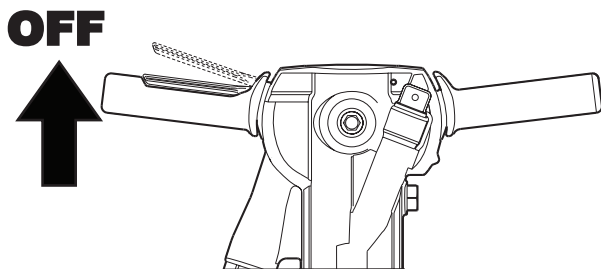
Involuntary start of the machine may cause injury.

- ▶ Keep your hands away from the start and stop device until you are ready to start the machine.
- ▶ Learn how the machine is switched off in the event of an emergency.
- ▶ Stop the machine immediately in all cases of power supply interruption.

## Start and stop



Start the pneumatic breaker by pressing down the start and stop device.

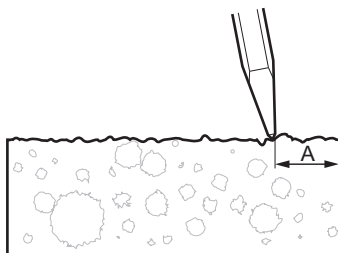


Stop the pneumatic breaker by releasing the start and stop device. The start and stop device will automatically return to the stop position.

## Operating

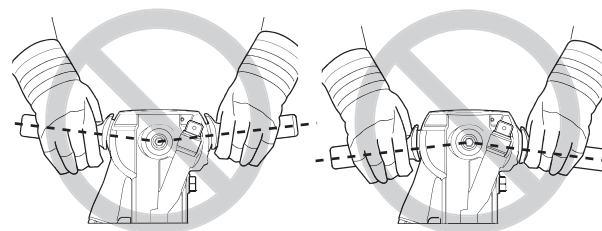
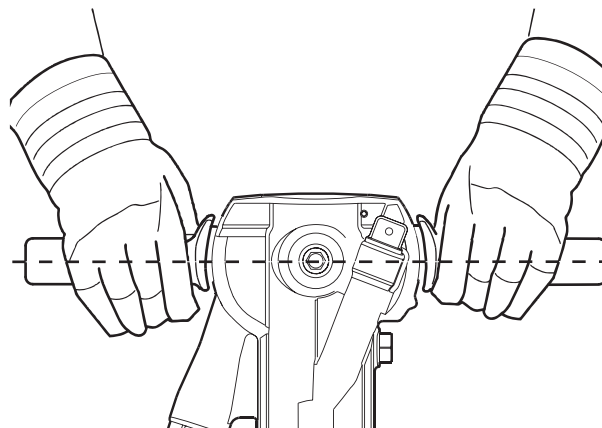
### Starting a cut

- ◆ Stand in a stable position with your feet well away from the inserted tool.
- ◆ Press the machine against the working surface before you start.
- ◆ Start collaring at such a distance from the edge that the machine is capable of breaking the material without levering.
- ◆ Never try to break off too large pieces. Adjust the breaking distance (A) so that the inserted tool does not get stuck.



## Breaking

- ◆ Let the machine do the work; do not press too hard. The vibration-reducing handle must absolutely not be pressed all the way down to the base.
- ◆ For pneumatic breakers with vibration-reducing handles: The feed force should be adapted so that the handles are pressed down 'half way'. The best vibration damping and breaking effect is achieved at this position.



- ◆ Avoid working in extremely hard materials for example granite and reinforcing iron (re-bar) which would cause substantial vibrations.
- ◆ Any form of idling, operating without insertion tool or operating with an uplifted machine must be avoided.
- ◆ When the machine is lifted, the start and stop device must not be activated.
- ◆ Check regularly that the machine is well lubricated.

## When taking a break

- ◆ During all breaks you must place the machine in such a way that there is no risk for it to be unintentionally started. Make sure to place the machine on the ground, so that it can not fall.
- ◆ In the event of a longer break or when leaving the workplace: Switch off the power supply and then bleed the machine by activating the start and stop device.

## Maintenance

Regular maintenance is a basic requirement for the continued safe and efficient use of the machine. Follow the maintenance instructions carefully.

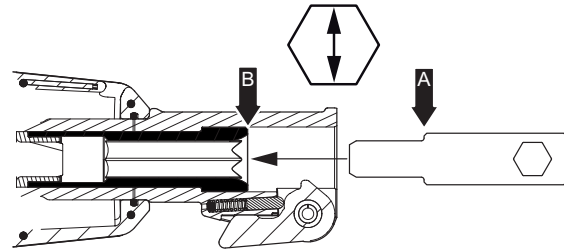
- ◆ Before starting maintenance on the machine, clean it in order to avoid exposure to hazardous substances. See “Dust and fume hazards”
- ◆ Use only authorised parts. Any damage or malfunction caused by the use of unauthorised parts is not covered by warranty or product liability.
- ◆ When cleaning mechanical parts with solvent, comply with appropriate health and safety regulations and ensure there is satisfactory ventilation.
- ◆ For major service of the machine, contact the nearest authorised workshop.
- ◆ After each service, check that the machine's vibration level is normal. If not, contact the nearest authorised workshop.

## Every day

Before undertaking any maintenance or changing the insertion tool on pneumatic machines, always switch off the air supply and bleed the machine by depressing the start and stop device. Then disconnect the air hose from the machine.

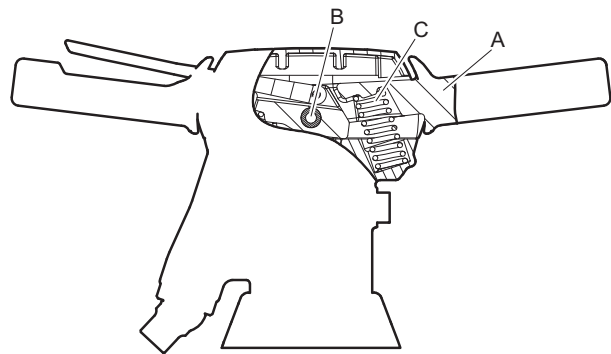
- ◆ Clean and inspect the machine and its functions each day before the work commences.
- ◆ Check the tool retainer for wear and function.
- ◆ Conduct a general inspection for leaks and damage.
- ◆ Check that the air inlet nipple is tightened and that the claw coupling is free from damage.
- ◆ Check regularly that the oil plug is tightened.
- ◆ Check that the O-ring on the oil plug is undamaged and that it closes tightly.
- ◆ Check the threads in the machine lubricator and on the oil plug. Make sure they are not damaged or worn out.

- ◆ Too big a clearance between the insertion tool's shank and the chisel bushing will generate increased vibrations. To avoid getting exposed to excessive vibrations, check the chisel bushing for wear using the gauge that corresponds to the insertion tool's shank dimension. If it is possible to push the gauge (point A) fully into the chisel bushing (to point B) then immediately replace the chisel bushing. See also “Checking for wear on the tool shank” for checking the insertion tool's shank.



- ◆ If the machine is equipped with vibration-absorbing handles their function should be checked.
- ◆ Check that the handles are moving freely (up – down) and do not jam.
- ◆ Check that the springs are not damaged, see “Vibration-absorbing handles main parts”.
- ◆ Change damaged parts immediately.
- ◆ Replace worn components in good time.
- ◆ Make sure that all the attached and related equipment, such as hoses, water separators and lubricators are properly maintained.

## Vibration absorbing handles main parts



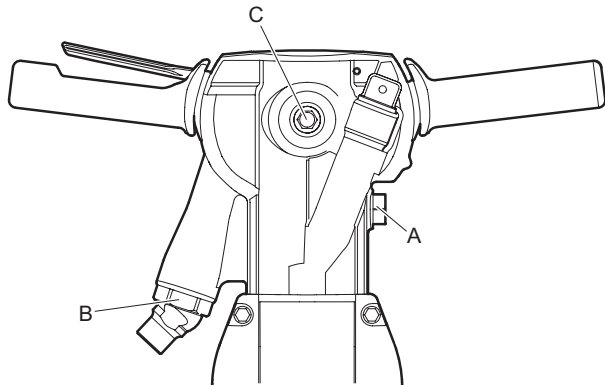
- A. Handle
- B. Bearing
- C. Spring

## Periodic maintenance

After each operating period of approximately 150 impact hours or twice a year the machine must be dismantled and all parts be cleaned and checked. This work must be performed by authorised staff, trained for this task.

## Tightening torques

**NOTICE** When fitting a connector to the swivel nut, Loctite® 263™ or similar has to be used.



- A. Screw plug, 200 Nm
- B. Swivel nut, 200 Nm, use Loctite® 263™ (Loctite is a registered trademark of Henkel Corporation. 263 is a trademark of Henkel Corporation.)
- C. Screw, 47 Nm

## Troubleshooting

If the pneumatic machine does not start, has low power or uneven performance, check the following points.

- ◆ Check that the insertion tool being used has the correct shank dimension.
- ◆ Check that the pneumatic machine is getting the correct amount of lubricant. Too much lubrication can cause starting problems, low power or uneven performance.
- ◆ Check that the compressed air system supplies the machine with sufficient air pressure to give full power.
- ◆ Check that the dimension and length of the air hose are according to the recommendations. See “Installation”.
- ◆ If there is a risk of freezing, check that the machine's exhaust ports are not blocked.

- ◆ If the machine function is still not satisfactory after this procedure, contact an authorised service workshop.

## Storage

- Clean the machine properly before storage, in order to avoid hazardous substances. See “Dust and fume hazard”
- Pour approximately ½ oz (5 cl) of oil directly into the air inlet nipple, connect the machine to the compressed air supply and start it for a few seconds.
- Always store the machine in a dry place.

## Disposal

A used machine must be treated and disposed of in such a way that the greatest possible portion of the material can be recycled and any negative influence on the environment is kept as low as possible, and in respect to local restrictions.



## Technical data

### Machine data

Type	Shank dimension mm	Weight kg	Length mm	Impact freq. Hz	Air Consumption l/s
TEX 140PS	H22 x 82.5	15.5	590	25.5	25
	H25 x 108	15.5	590	25.5	25
	H25 x 108 US	15.5	590	25.5	25
TEX 150PE	H22 x 82.5	19	590	25.5	25
	H25 x 108	19	590	25.5	25
	H25 x 108 US	19	590	25.5	25
TEX 180PS	H25 x 108	19	595	25	26
	H28 x 160/152	19.5	645	25	26
	H 25 x 108 US	19.5	645	25	26
TEX 190PE	H25 x 108	22.5	595	25	26
	H28 x 160/152	23	645	25	26
	H 25 x 108 US	23	645	25	26
TEX 220PS	H25 x 108	22	625	22	30
	H28 x 160/152	23.5	670	22	30
	H32 x 160/152	23.5	670	22	30
TEX 230PE	H25 x 108	25.5	625	22	30
	H28 x 160/152	27	670	22	30
	H32 x 160/152	27	670	22	30
TEX 270PS	H28 x 160/152	28	690	20.5	32
	H32 x 160/152	28	690	20.5	32
TEX 280PE	H28 x 160/152	31.5	690	20.5	32
	H32 x 160/152	31.5	690	20.5	32

### Noise and vibration declaration statement

Guaranteed sound power level **L<sub>w</sub>** according to EN ISO 3744 in accordance with directive 2000/14/EC.

Sound pressure level **L<sub>p</sub>** according to EN ISO 11203.

Vibration value **A** and uncertainty **B** determined according to EN ISO 20643. See table "Noise and vibration data" for the values of A, B, etc.

These declared values were obtained by laboratory type testing in accordance with the stated directive or standards and are suitable for comparison with the declared values of other tools tested in accordance with the same directive or standards. These declared values are not suitable for use in risk assessments and values measured in individual work places may be higher. The actual exposure values and risk of harm experienced by an individual user are unique and depend upon the way the user works, in what material the machine is used, as well as upon the exposure time and the physical condition of the user, and the condition of the machine.

We, Atlas Copco Construction Tools AB, cannot be held liable for the consequences of using the declared values, instead of values reflecting the actual exposure, in an individual risk assessment in a work place situation over which we have no control.

This tool may cause hand-arm vibration syndrome if its use is not adequately managed. An EU guide to managing hand-arm vibration can be found at <http://www.humanvibration.com/humanvibration/EU/VIBGUIDE.html>

We recommend a programme of health surveillance to detect early symptoms which may relate to vibration exposure, so that management procedures can be modified to help prevent future impairment.

### Additional vibration information

This information is provided to assist in making rough estimates of the vibration value in the workplace.

The vibration emission varies greatly with task and operator technique. The declared vibration value relates to the main handle(s) and much higher vibration levels may occur at other hand positions. We believe that normal intended use of the tool will usually produce vibration emissions in the range of  $C_{ms}^2$  and  $E_{ms}^2$  (vibration total values, as defined in EN ISO 5349-1) depending on the details of the task, but emissions outside this range may occur for some applications.

A figure of  $D_{ms}^2$  and  $F_{ms}^2$  is probably a useful average emission value when, for example, roughly estimating the likely average exposures of users performing a wide range of tasks within the intended use of the tool. We point out that application of the tool to a sole specialist task may produce a different average emission and in such cases we strongly recommend a specific evaluation of the vibration emission.

## Noise and vibration data

Type	Noise		Vibration					
	Declared Values		Declared Values					
	Sound pressure	Sound power	Three axes values		Additional Vibration Information			
	EN ISO 11203	2000/14/EC	EN ISO 20643		Concrete		Asphalt	
	Lp r=1m dB(A) rel 20µPa	Lw guaranteed dB(A) rel 1pW	A m/s <sup>2</sup> value	B m/s <sup>2</sup> spreads	C m/s <sup>2</sup> range	D m/s <sup>2</sup> ave.	E m/s <sup>2</sup> range	F m/s <sup>2</sup> ave.
TEX 140PS 22 x 82.5 25 x 108 25 x 108 US	91	104	15.2	2.0	-	-	-	-
TEX 150PE 22 x 82.5 25 x 108 25 x 108 US	91	104	4.5	1.3	4.2–4.7	4.4	3.5–4.5	4.0
TEX 180PS 25 x 108 25 x 108 US	92	104	14.5	1.9	-	-	-	-
TEX 180PS 28 x 160/152	91	104	14.5	1.9	-	-	-	-
TEX 190PE 25 x 108 25 x 108 US	92	104	3.7	0.9	4.4–5.0	4.7	3.9–4.4	4.2
TEX 190PE 28 x 160/152	91	104	3.7	0.9	4.4–5.0	4.7	3.9–4.4	4.2
TEX 220PS 25 x 108	92	104	12.8	1.8	-	-	-	-
TEX 220PS 28 x 160/152 32 x 160/152	93	106	12.8	1.8	-	-	-	-
TEX 230PE 25 x 108	92	104	4.2	0.9	4.0–4.8	4.4	3.6–5.1	4.4
TEX 230PE 28 x 160/152 32 x 160/152	93	106	4.2	0.9	4.0–4.8	4.4	3.6–5.1	4.4
TEX 270PS 28 x 160/152 32 x 160/152	92	105	14.9	2.0	-	-	-	-
TEX 280PE 28 x 160/152 32 x 160/152	92	105	4.8	1.0	4.2–4.8	4.5	4.0–4.3	4.2

# EC Declaration of Conformity

## EC Declaration of Conformity (EC Directive 2006/42/EC)

We, Atlas Copco Construction Tools AB, hereby declare that the machines listed below conform to the provisions of EC Directive 2006/42/EC (Machinery Directive) and 2000/14/EC (Noise Directive), and the harmonised standards mentioned below.

Handheld pneumatic breakers	Guaranteed sound power level [dB(A)]	Measured sound power level [dB(A)]	Pmax (bar)
TEX 140PS	104	102	7
TEX 150PE	104	102	7
TEX 180PS (25 x 108/US)	104	103	7
TEX 180PS (28 x 160/152)	104	102	7
TEX 190PE (25 x 108/US)	104	103	7
TEX 190PE (28 x 160/152)	104	102	7
TEX 220PS (25x108)	104	103	7
TEX 220PS (28/32 x 160/152)	106	104	7
TEX 230PE (25x108)	104	103	7
TEX 230PE (28/32 x 160/152))	106	104	7
TEX 270PS	105	103	7
TEX 280PE	105	103	7

### Following harmonised standards were applied:

- ◆ EN ISO 11148-4

### Following other standards were applied:

- ◆ Lloyds Register Quality Assurance, NoBo no.0088

### Technical Documentation authorised representative:

Per Forsberg  
Atlas Copco Construction Tools AB  
Dragonvägen 2  
Kalmar

### Vice president Design and Development:

Erik Sigfridsson

### Manufacturer:

Atlas Copco Construction Tools AB  
105 23 Stockholm  
Sweden

### Place and date:

Kalmar, 2012-06-15