

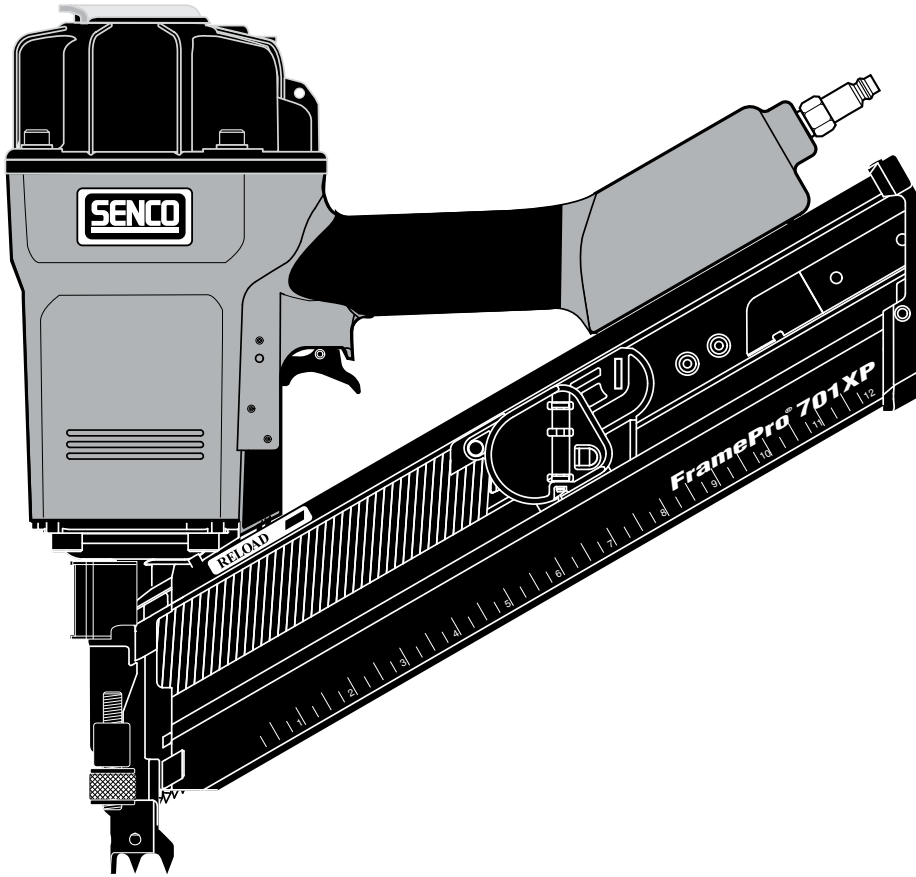


FramePro® 701XP/751XP

Framing Nailer

Parts Reference Guide Guía de referencia de piezas Pièces Guide de référence

Schematic Drawings Inside
Plano esquemático en el interior
Schéma intérieur



Repair Kits

YK0243

YK0244

SENCO®

Senco Brands, Inc.
4270 Ivy Pointe Blvd.
Cincinnati, OH 45245
1-800-543-4596
www.senco.com

NFG02H • Revised April 2, 2014 (Replaces 6/19/2012)

Questions? Comments? call SENCO's toll-free Action-Line: 1-800-543-4596
(North and South America Only) or email: toolprof@senco.com

¿Tiene preguntas? ¿Comentarios? Llame a la línea gratuita de acción de Senco: 1-800-543-4596
(sólo para América del Norte y del Sur) o envíe un correo electrónico: toolprof@senco.com

Des questions? Des commentaires? Communiquez avec le service d'assistance sans frais de Senco : 1-800-543-4596
(Amérique du Nord et Amérique du Sud seulement) ou envoyer un courriel: toolprof@senco.com

KB9773

BC0358

AF0044

/ ## KB3255

/ ## KB9752

/ ## AC0141

Ref-to be used
with AB0092
or AB0093

/ ## AA0115

Ref-to be used
with AB0174, AB0175,
AB0201 or AB0202

KB4268

LB0768

LB0038

BB0186*

LB3505

BF0203

CF0015

BF0204

BF0212

BC0309

KB9773

LB0036

B **

C *

LB0086

BC0342

BB0148

KC0027

AB0131

KC0062

Tool # Model

Tool #	Model	A	B	C	D
2H0113N	701XP Single Sequential	AB0201	YK0413	BC0340	GB0486
2H0133N	701XP Single Sequential	AB0201	YK0414	BC0340	GB0486
2H2001N	701XP Contact Actuation	AB0175	YK0414	BC0340	GB0492
2H2002N	701XP Single Sequential	AB0175	YK0414	BC0340	GB0492
2J0103N	751XP Single Sequential	AB0202	YK0417	BC0341	GB0520
2J2001N	751XP Contact Actuation	AB0174	YK0417	BC0341	GB0521
2J2002N	751XP Single Sequential	AB0174	YK0417	BC0341	GB0521
2J3003N	751XP Contact Actuation	AB0174	YK0417	BC0341	GB0520
2J3004N	751XP Single Sequential	AB0174	YK0417	BC0341	GB0520

E ##

Tool #	Model	E	##
2H0113N	701XP	LB0901	
2H0133N	701XP	LB0906	
2H2001N	701XP	LB0906	
2H2002N	701XP	LB0906	
2J0103N	751XP	LB0906	
2J2001N	751XP	LB0906	
2J2002N	751XP	LB0906	
2J3003N	751XP	LB0906	
2J3004N	751XP	LB0906	

LB0018

LB0057

CF0003*

KB4177

LB0844

LB0847

LB0902

CA0085*

CF0014*

LB0057

BF0247

B



C-driver
YK0413



T-driver
YK0414
YK0417

Available Triggers



Single Sequential



Contact Actuation

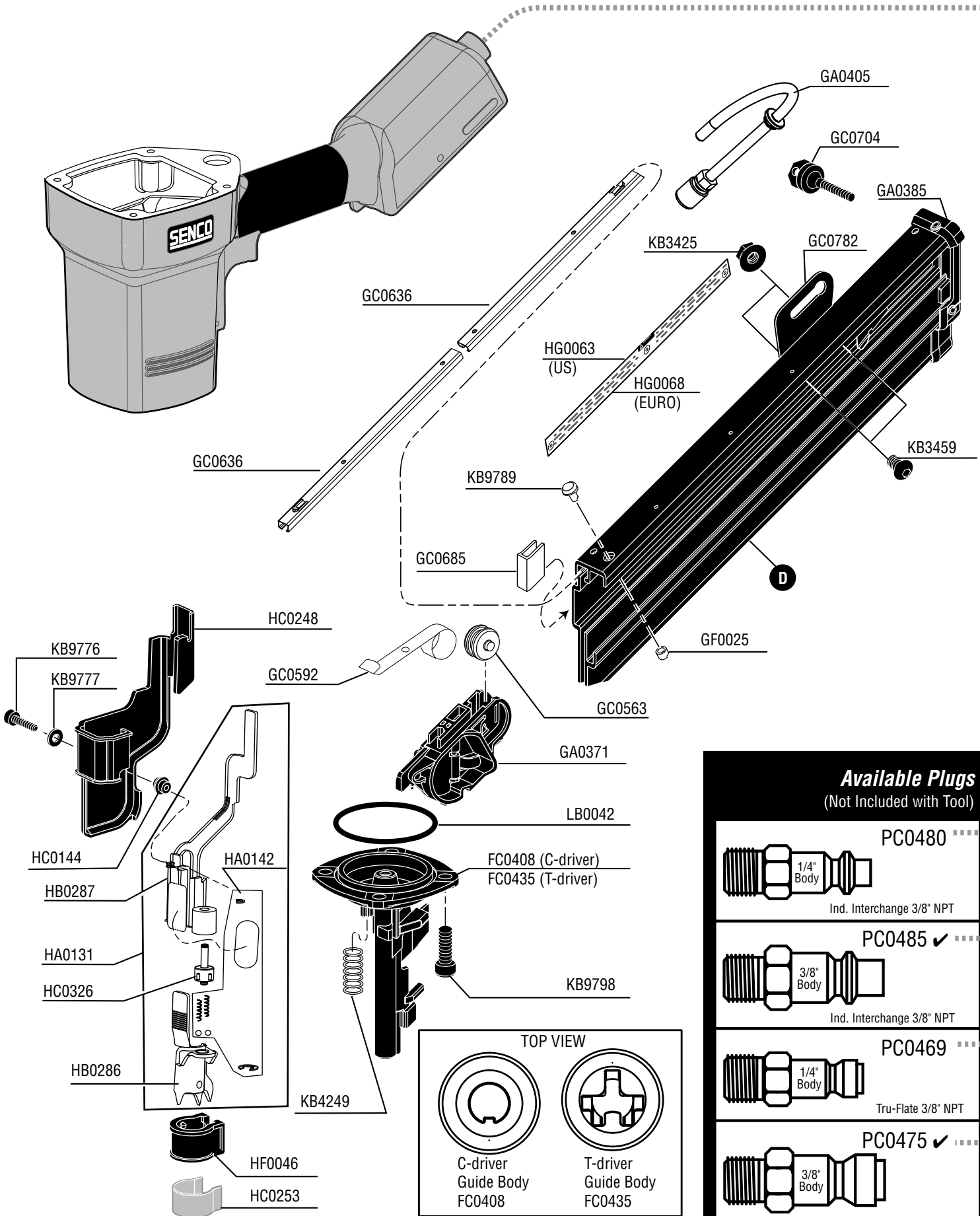
HA0135

- * = Does **Not** Include seals
- * = **No** incluye sellos de gomas
- * = Joints **exclus**
- ** = Includes seals
- ** = Incluye sellos de gomas
- ** = Joints **inclus**

= Contents of YK0243 Repair Kit
= Contents of YK0244 Repair Kit

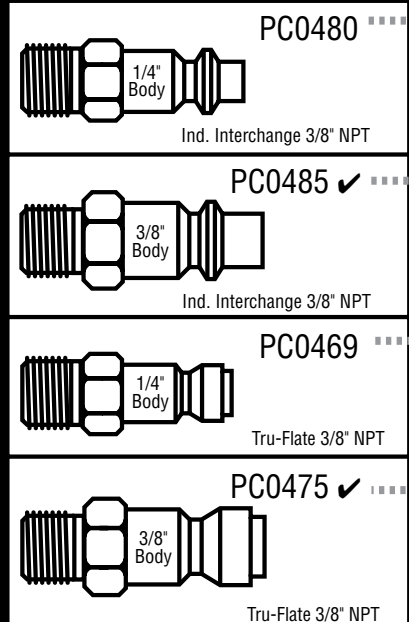
Framing Nailer

FramePro® 701XP/751XP



Available Plugs

(Not Included with Tool)



✓ Recommended Plugs

Plugs shown smaller than actual size

REPLACEMENT PARTS LIST • LISTA DE PARTES DE REPUESTO • LISTE DE PIÈCES DE RECHANGE

PART NO.	DESCRIPTION	DESCRIPCIÓN	DÉSIGNATION
AA0115	SEAL	SELLO	JOINT
AB0174	CAP (EU)	TAPA	BOUCHON
AB0175	CAP (EU)	TAPA	BOUCHON
AB0131	MAIN BODY	CARCASA	CORPS
AB0201	CAP (US)	TAPA	BOUCHON
AB0202	CAP (US)	TAPA	BOUCHON
AC0141	SEAL	SELLO	JOINT
AF0044	DEFLECTOR	DESVIADOR	DÉFLECTEUR
BB0148	STOP	TOPE	ARRÊT
BB0186	VALVE	VÁLVULA	VALVE
BC0309	RETAINER	RETÉN	RETENUE
BC0340	CYLINDER	CILINDRO	CYLINDRE
BC0341	CYLINDER	CILINDRO	CYLINDRE
BC0342	SEAL	SELLO	JOINT
BC0358	WASHER	ARANDELA	RONDELLE
BF0203	SEAL	SELLO	JOINT
BF0204	RETAINER	RETÉN	RETENUE
BF0212	SEAL	SELLO	JOINT
BF0247	SEAL	SELLO	JOINT
CA0085	CORE	VÁSTAGO	NOYAU
CF0003	CAGE	CAJA	CAGE
CF0014	HOUSING	ALOJAMIENTO	CORPS
CF0015	VALVE	VÁLVULA	VALVE
FC0408	GUIDE BODY (US)	PLACA DE NARIZ	FRONT
FC0435	GUIDE BODY (EURO)	PLACA DE NARIZ	FRONT
GA0371	FEEDER SHOE	ALIMENTADOR	POUSSOIR
GA0385	END CAP	TAPA TERMINAL	BOUCHON D'EXTREMITÉ DE RAIL
GA0405	BRACKET	SOPORTE	SUPPORT DE FIXATION
GB0486	MAGAZINE-701XP(US)	CARGADOR	MAGASIN
GB0492	MAGAZINE-701XP(EURO)	CARGADOR	MAGASIN
GB0520	MAGAZINE-751XP(US)	CARGADOR	MAGASIN
GB0521	MAGAZINE-751XP(EURO)	CARGADOR	MAGASIN
GC0563	ROLLER	RODILLO	GALET
GC0592	SPRING	RESORTE	RESSORT
GC0636	RAIL	CARRIL	RAIL
GC0685	INSERT	ACOPLAMIENTO	INSERT
GC0704	KNOB	MANIVELA	MOLETTE DE VERROUILLAGE
GC0782	BRACKET	SOPORTE	SUPPORT DE FIXATION
GF0025	BUMPER	AMORTIGUADOR	AMORTISSEUR
HA0129	TRIGGER ASSY	ASAMBLE DE GATILLO	ENSEMBLE GÂCHETTE
HA0131	SAFETY ELEMENT	ASAMBLE DE SEGURO	PALPEUR DE SÉCURITÉ
HA0135	TRIGGER ASSY	ASAMBLE DE GATILLO	ENSEMBLE GÂCHETTE
HA0142	SAFETY ASSEMBLY	ASAMBLE DE SEGURO	PALPEUR DE SÉCURITÉ
HB0286	SAFETY ELEMENT	ASAMBLE DE SEGURO	PALPEUR DE SÉCURITÉ
HB0287	SAFETY ELEMENT	ASAMBLE DE SEGURO	PALPEUR DE SÉCURITÉ
HC0144	INSERT	ACOPLAMIENTO	INSERT
HC0148	TRIGGER	GATILLO	GÂCHETTE
HC0211	TRIGGER	GATILLO	GÂCHETTE
HC0248	COVER	CUBIERTA	COUVERCLE
HC0253	RETAINER	RETÉN	RETENUE
HC0326	WHEEL	MANIVELA	MOLETTE
HF0046	NO-MAR PAD	AMORTIGUADOR	COUSSIN
HG0063	LABEL (US) (SAFETY PRECAUTIONS)	ETIQUETA (NORMAS DE SEGURIDAD)	ÉTIQUETTE(PRÉCAUTIONS DE SÉCURITÉ)
HG0068	LABEL (EURO) (SAFETY PRECAUTIONS)	ETIQUETA (NORMAS DE SEGURIDAD)	ÉTIQUETTE(PRÉCAUTIONS DE SÉCURITÉ)
KB3255	SCREW	TORNILLO	VIS
KB3425	NUT	TUERCA	ÉCROU
KB3459	SCREW	TORNILLO	VIS
KB3495	PIN	PASADOR	GOUPILLE
KB4177	SPRING	RESORTE	RESSORT
KB4249	SPRING	RESORTE	RESSORT
KB4268	SPRING	RESORTE	RESSORT
KB9752	WASHER	ARANDELA	RONDELLE
KB9773	SCREW	TORNILLO	VIS
KB9776	SCREW	TORNILLO	VIS
KB9777	WASHER	ARANDELA	RONDELLE
KB9789	SCREW	TORNILLO	VIS
KB9798	SCREW	TORNILLO	VIS
KC0027	PIN	PASADOR	GOUPILLE
KC0062	RETAINER	RETÉN	RETENUE
LB0018	SEAL	SELLO	JOINT
LB0036	SEAL	SELLO	JOINT
LB0038	SEAL	SELLO	JOINT
LB0042	SEAL	SELLO	JOINT
LB0057	SEAL	SELLO	JOINT
LB0086	SEAL	SELLO	JOINT
LB0768	SEAL	SELLO	JOINT
LB0844	SEAL	SELLO	JOINT
LB0847	SEAL	SELLO	JOINT
LB0901	SEAL	SELLO	JOINT
LB0902	SEAL	SELLO	JOINT
LB0906	SEAL	SELLO	JOINT
LB3505	SEAL	SELLO	JOINT
YK0413	PISTON ASSEMBLY	ASAMBLE DE PISTON	ENSEMBLE PISTON-COUTEAU
YK0414	PISTON ASSEMBLY	ASAMBLE DE PISTON	ENSEMBLE PISTON-COUTEAU
YK0417	PISTON ASSEMBLY	ASAMBLE DE PISTON	ENSEMBLE PISTON-COUTEAU