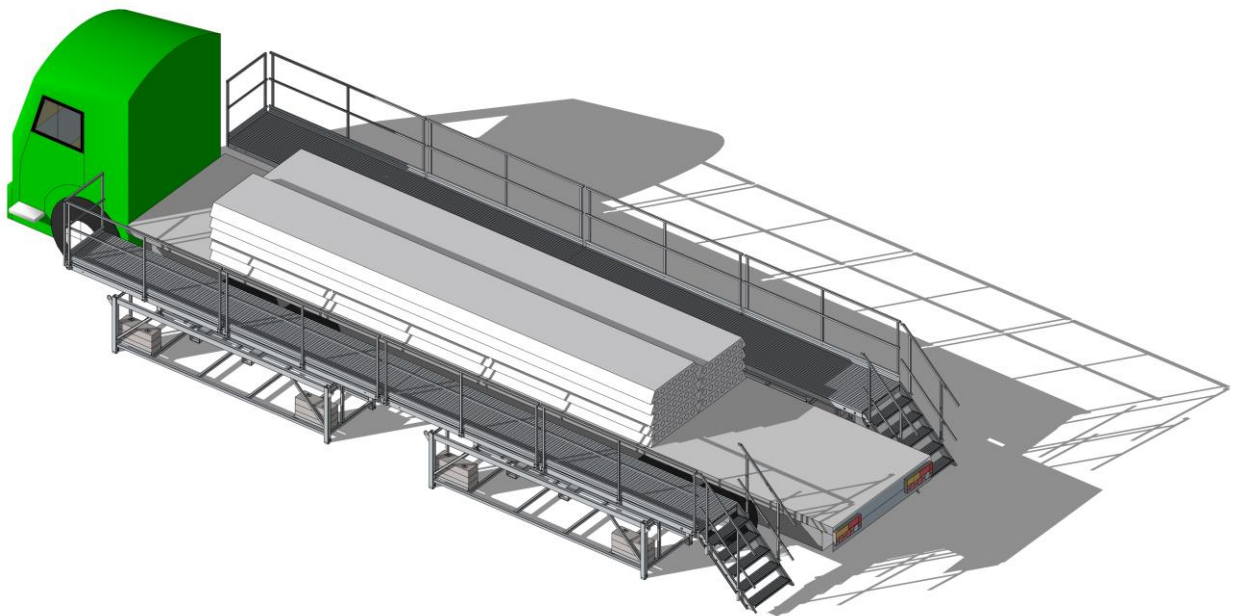


TLP Truck Loading Platform

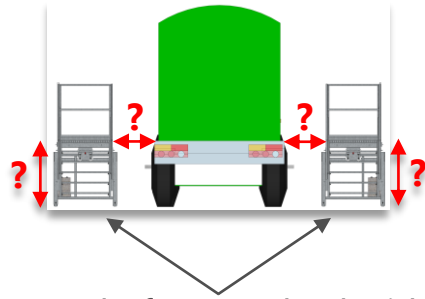


General Information

Work safe!

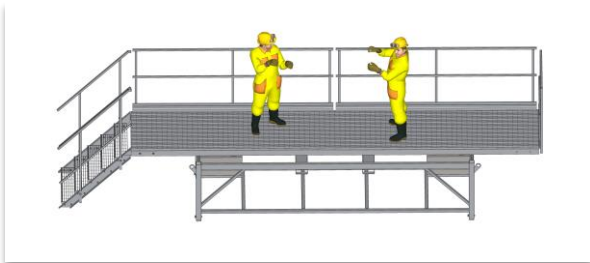


Check the distance and the height!

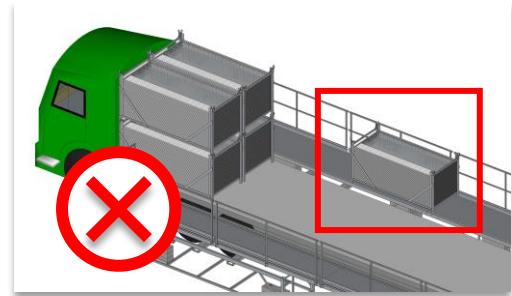


Use platform on both sides!

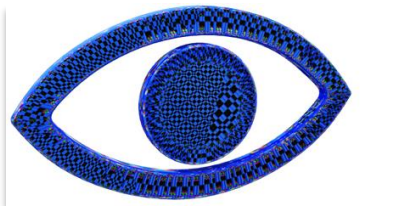
Max. 2 Person



Do not use the platform for storing!



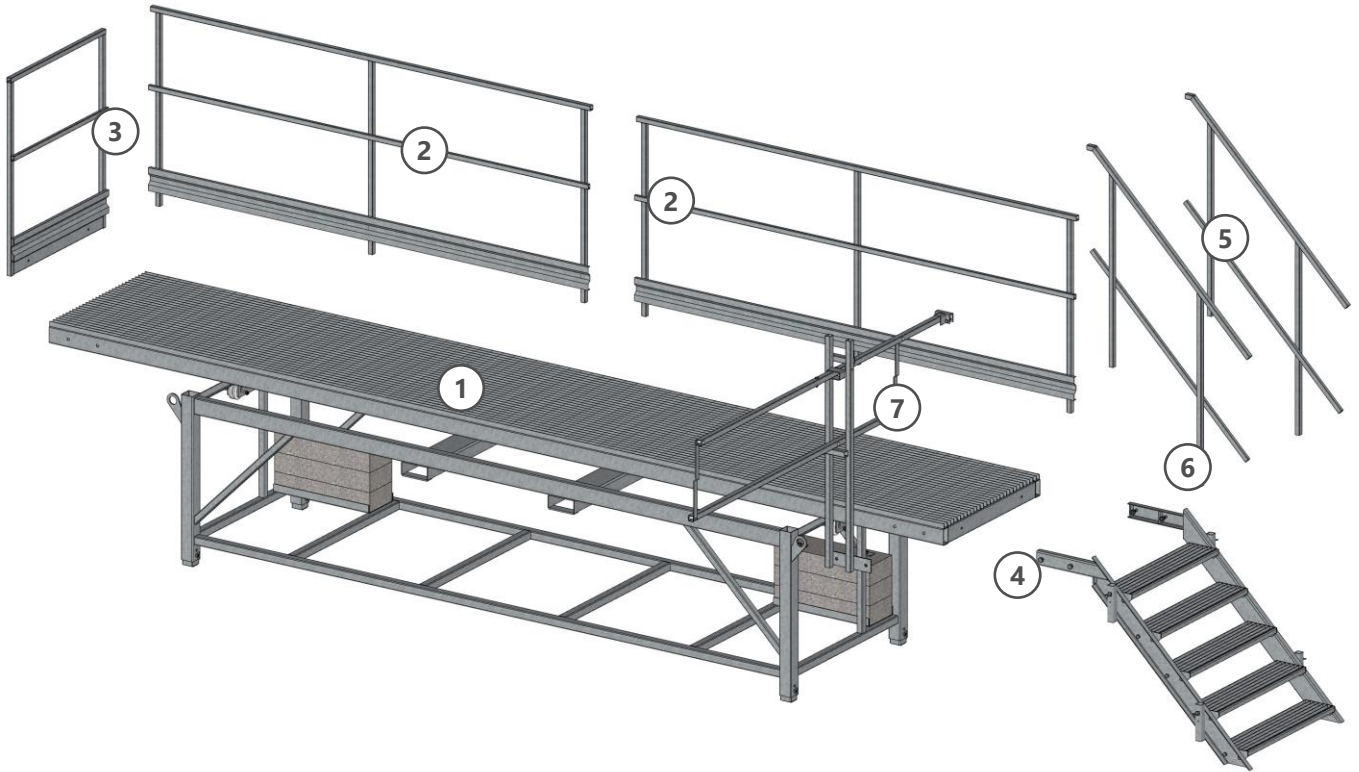
Inspect the platform before every use!



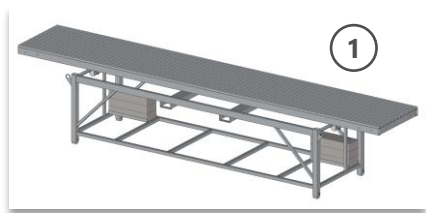
Keep the platform free from snow, dirt and any objects!



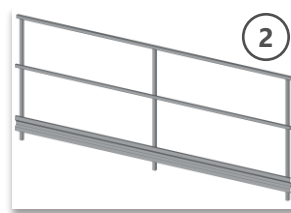
Item Overview



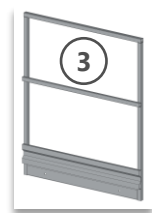
Truck loading platform, module
Code: 2079780 / 785 kg



Platform handrail
– long side
Code: 2079786 / 21 kg



Platform handrail
– short side
Code: 2079787 / 12 kg



Stair
Code: 2079770 / 52 kg



Stair handrail - left
Code: 2079772L / 8 kg



Stair handrail - right
Code: 2079772R / 8 kg

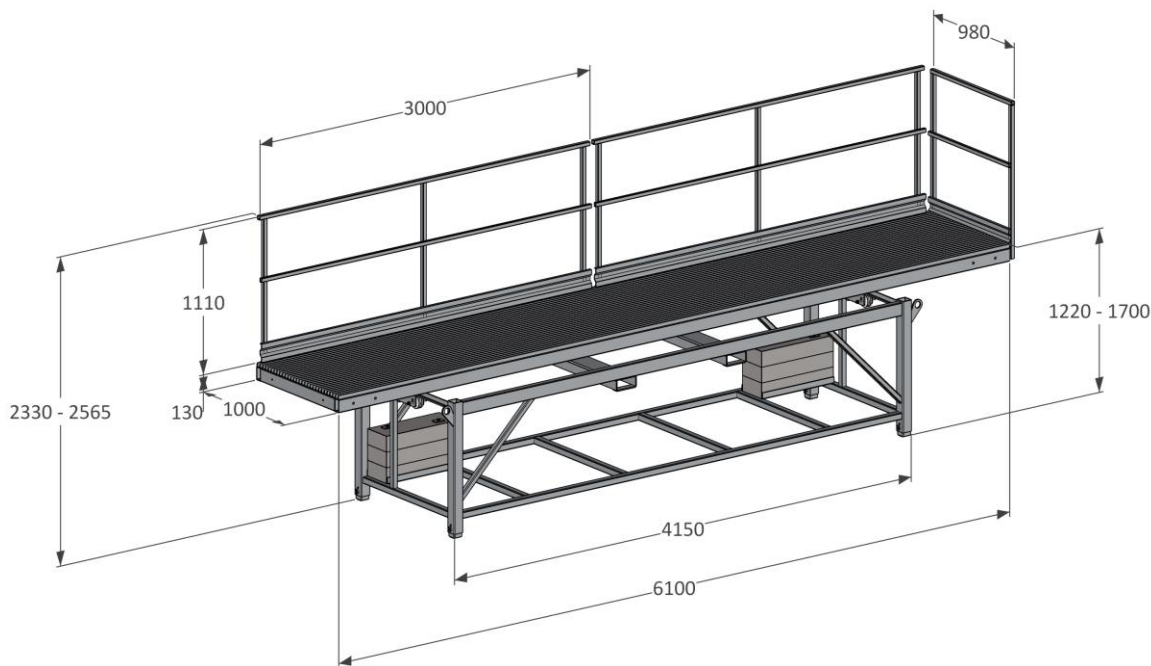


Platform gate (optional)
Code: 2079762 / 18 kg

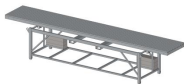





Truck Loading Platform (Single System)

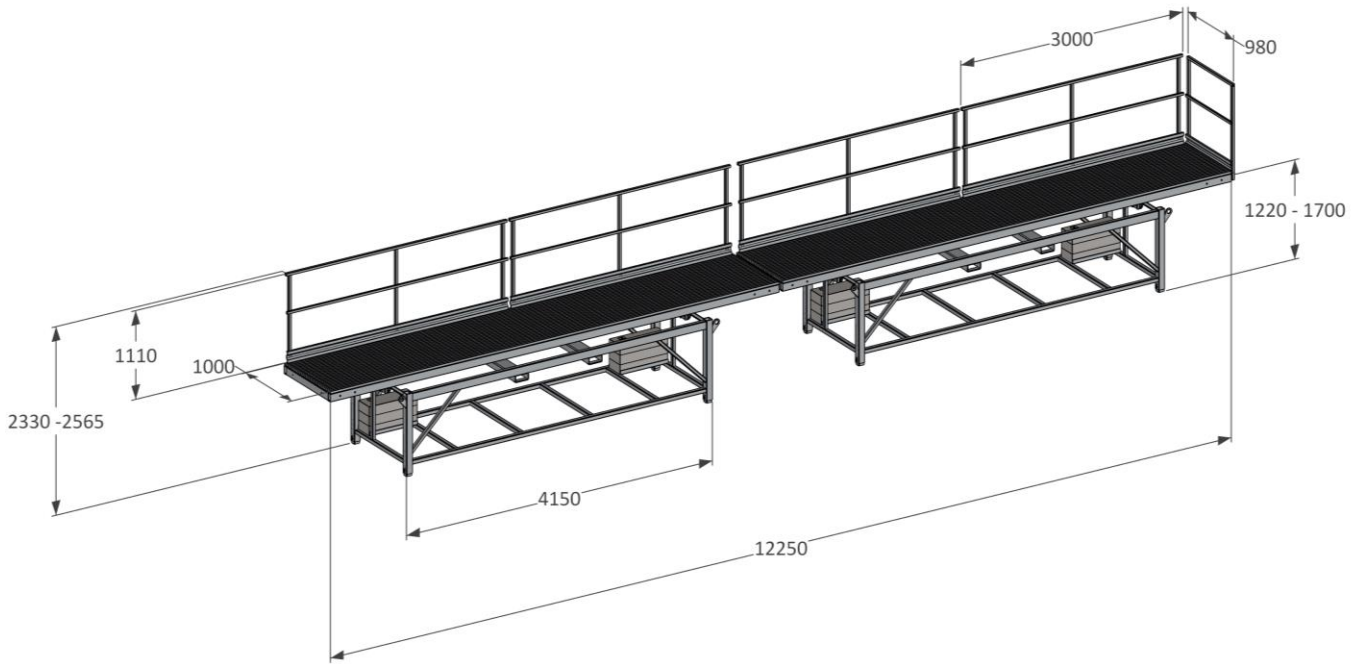
Code: 2079760
839 kg







[mm]

No.	Art. No.	Quantity	Description	Picture
1	2079780	1	Truck loading platform module	
2	2079786	2	Platform handrail long side	
3	2079787	1	Platform handrail short side	
4	2308301	6	Concrete foot	

Truck Loading Platform (Double System)

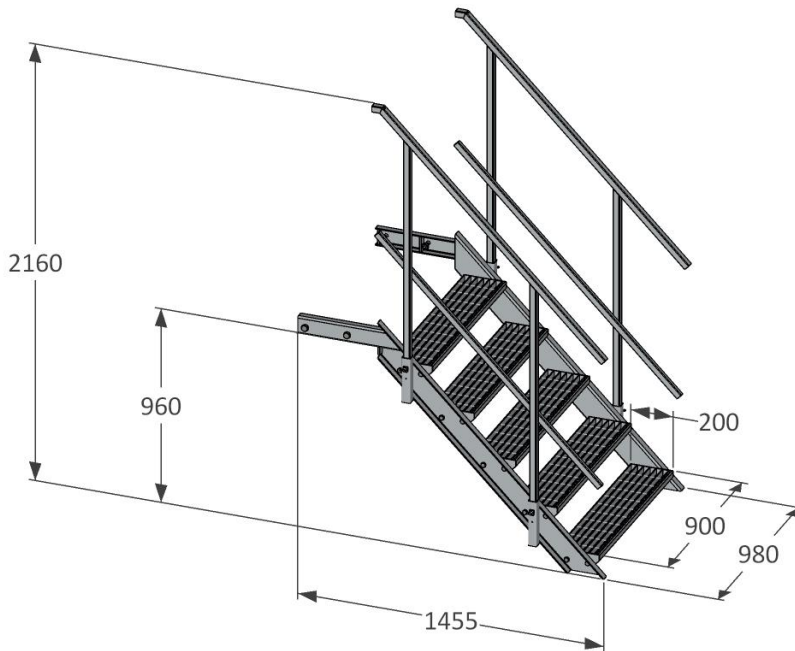


[mm]




No.	Art. No.	Quantity	Description	Picture
1	2079780	2	Truck loading platform module	
2	2079786	4	Platform handrail long side	
3	2079787	1	Platform handrail short side	
4	2308301	12	Concrete foot	

Stairway

Code: 2079761
68 kg

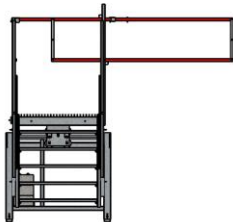


[mm]

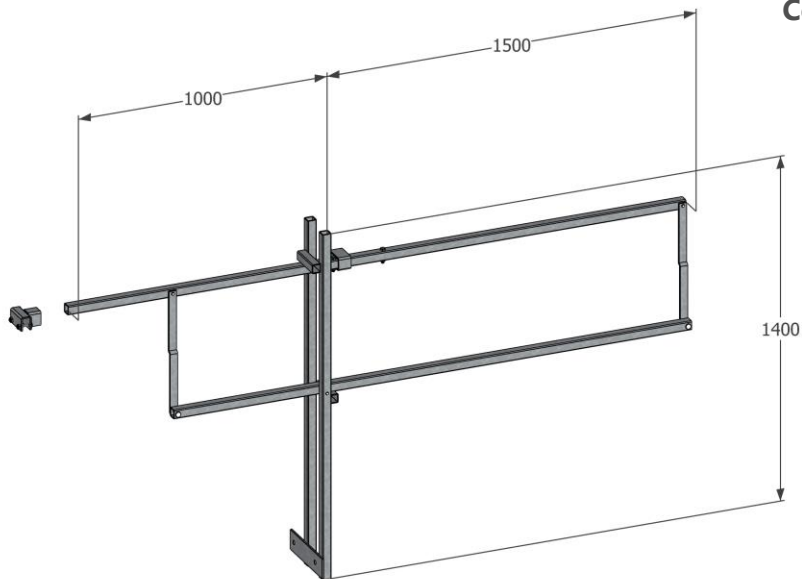
No.	Art. No.	Quantity	Description	Picture
1	2079770	1	Stair	
2	2079772L	1	Stair handrail - left	
3	2079772R	1	Stair handrail - right	

Platform Gate (optional)

Closed gate



Open gate

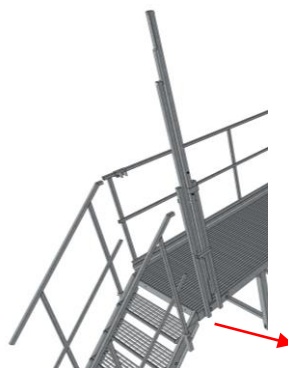
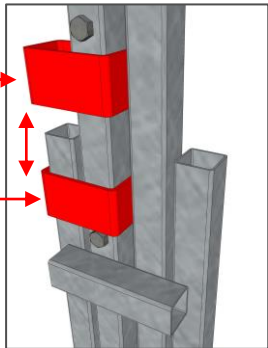


Code: 2079762
18 kg

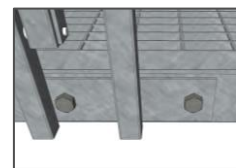
[mm]

Open gate
in open position

Locking gate
in open position



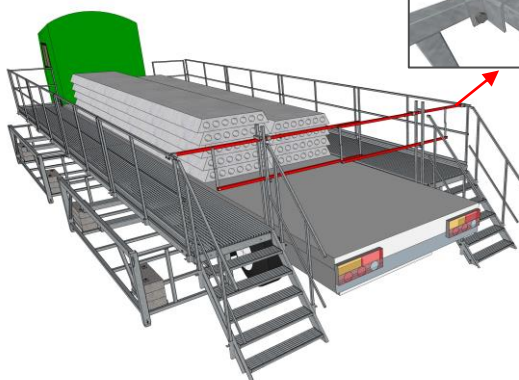
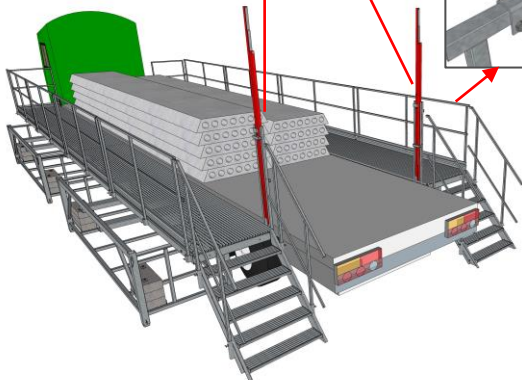
Fixing position



Gate stabilisator
In open position



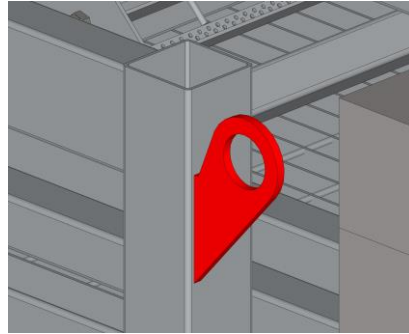
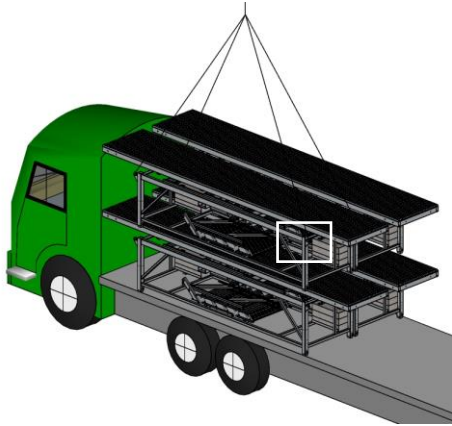
Gate stabilisator
In closed position



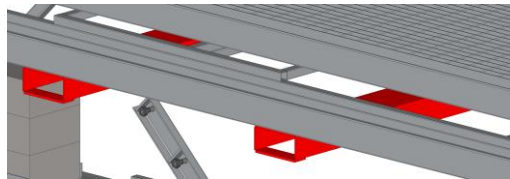
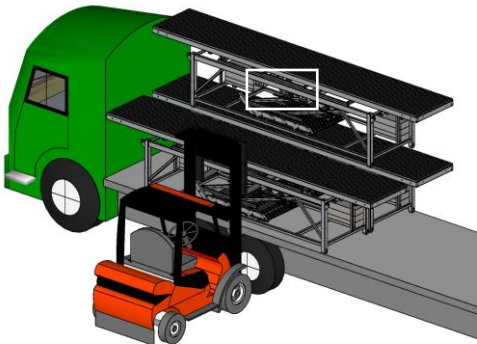
Assembling

1 Unloading with a crane or with a forklift

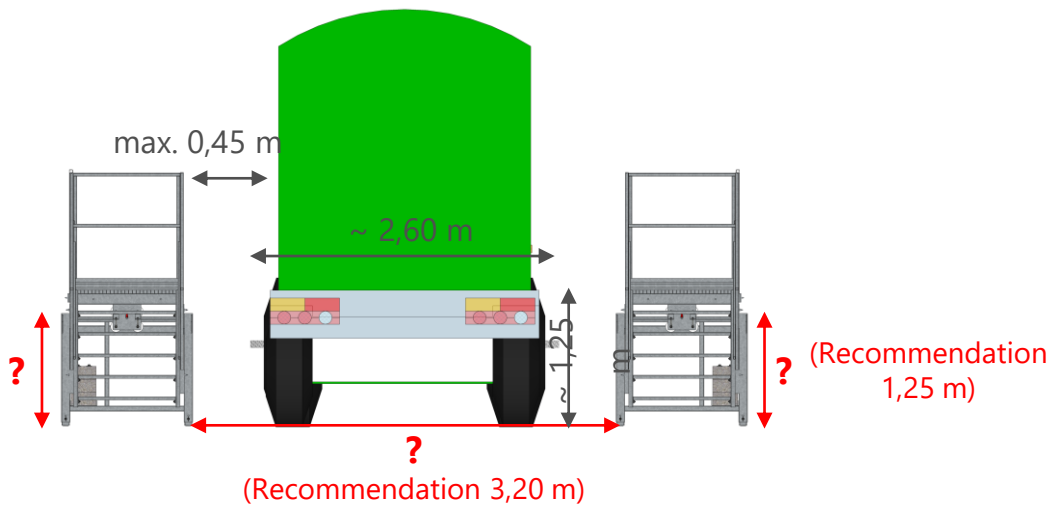
a



b

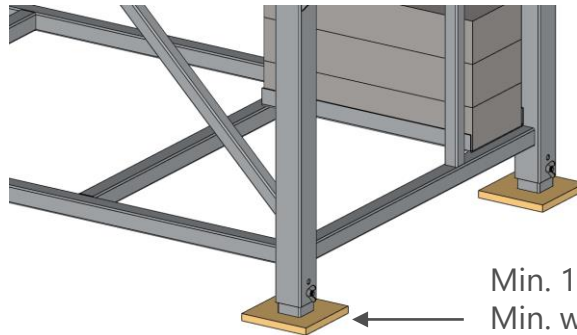


2 Check the height of the platforms and the distance between two platforms



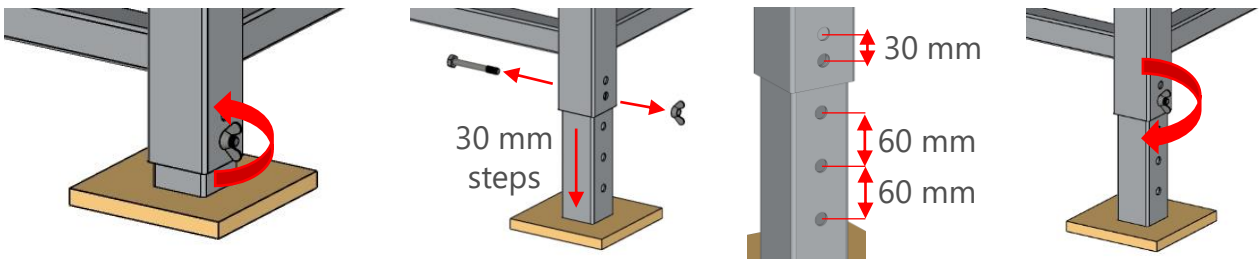
Assembling

- 3** Put a piece of base plate (according to EN 74) under the platform's feet

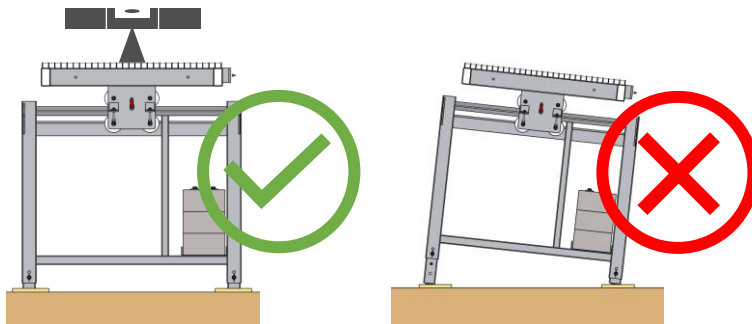


Min. 150 cm²
Min. width 120 mm
Made of min. 6 mm material

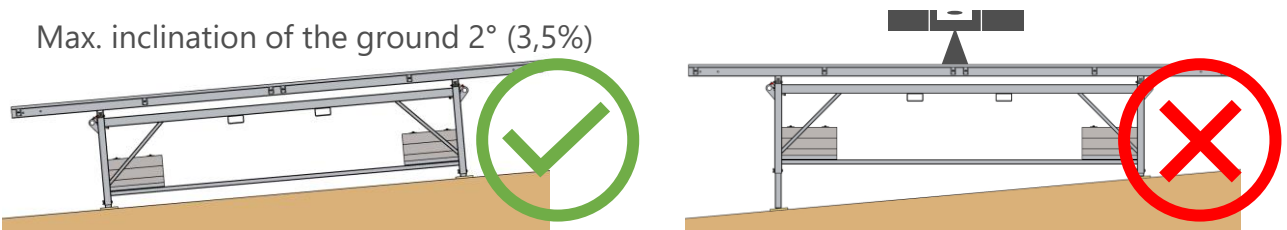
- 4** Set the height of the platform



Pay attention to the inclination!



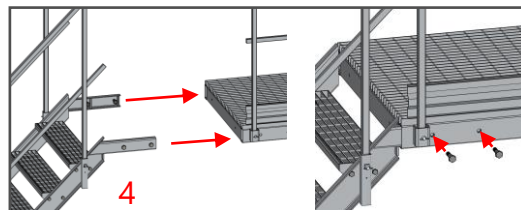
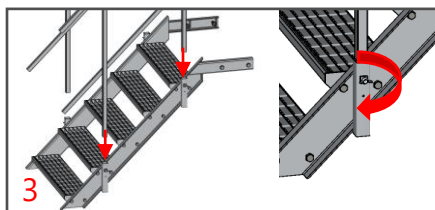
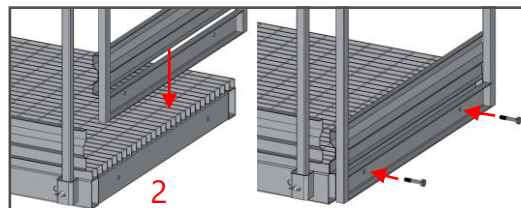
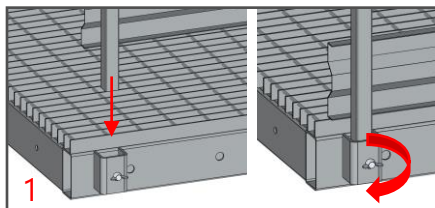
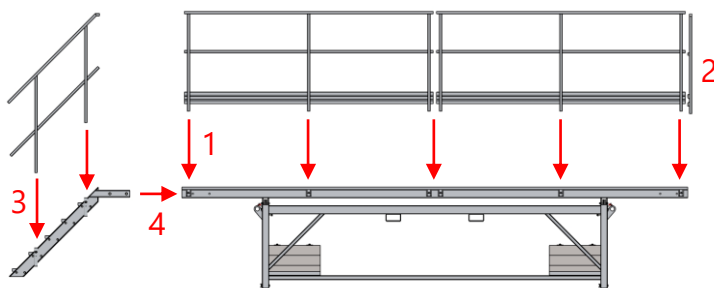
Max. inclination of the ground 2° (3,5%)



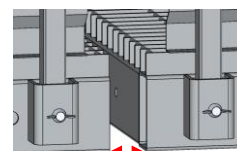
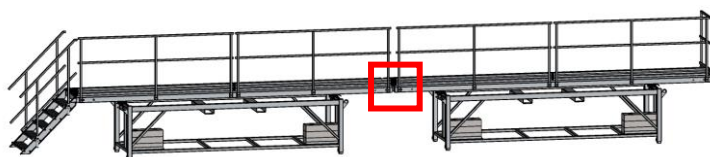
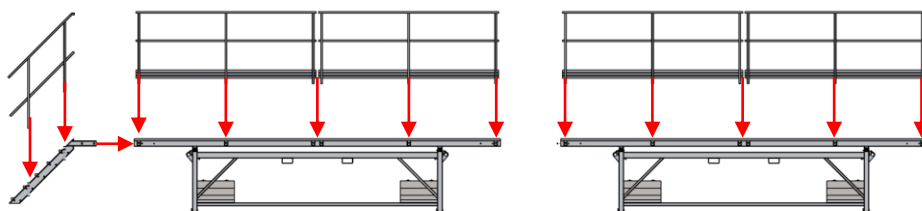
Assembling

5 Connect all parts of the platform (platforms, handrails and stair)

a Single system



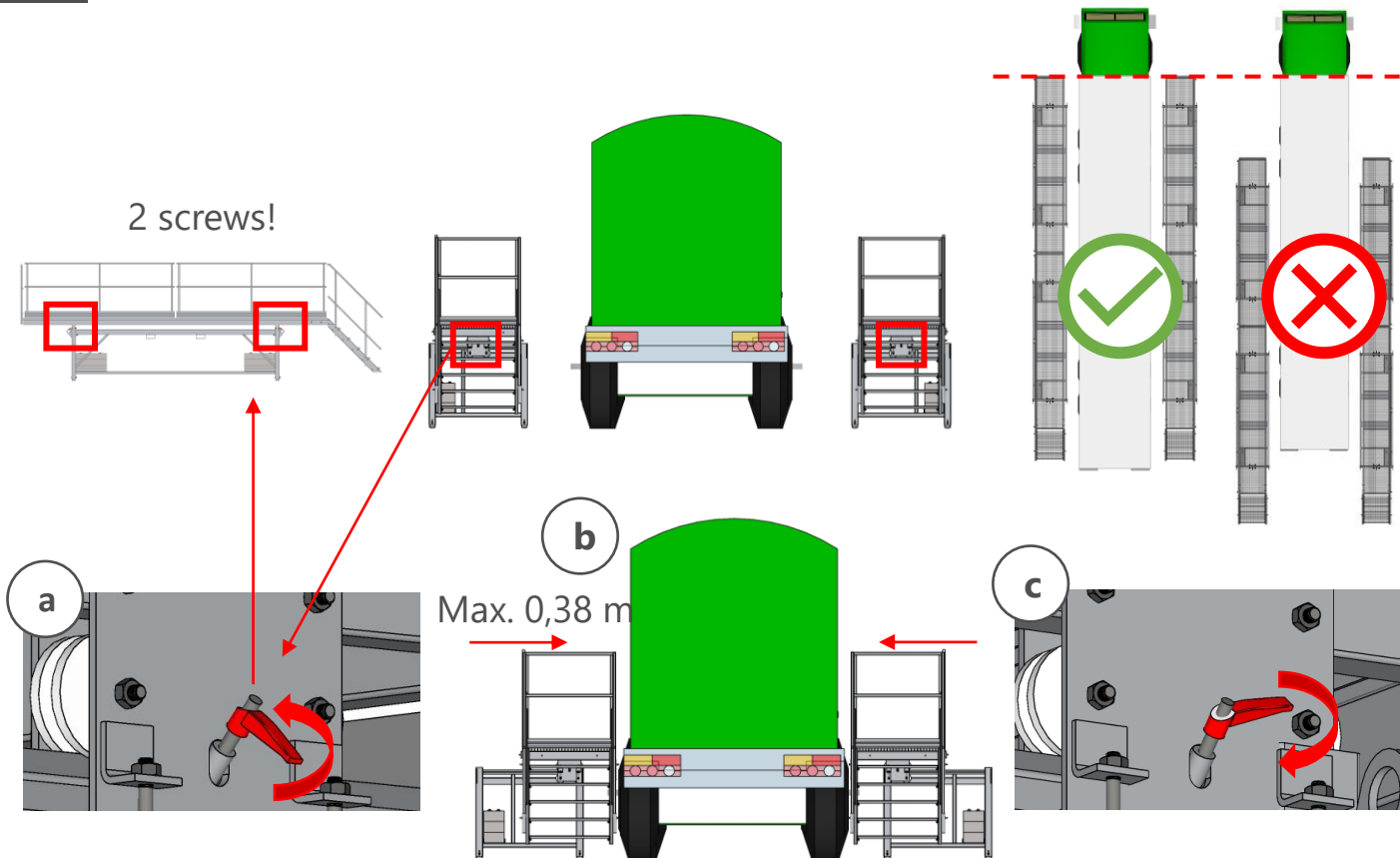
b Double system



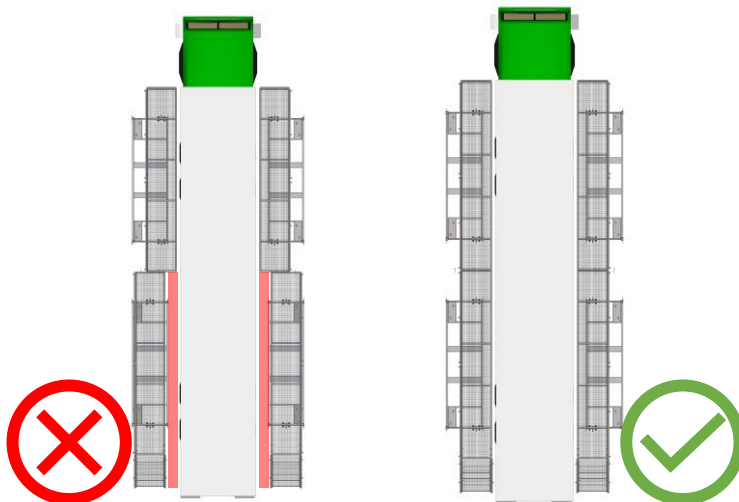
max. 50 mm between two platforms

Working with the Platform

1 Driving the platform out (preparing for use)

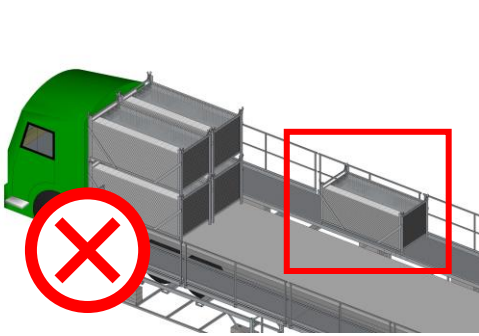


Work only if all platforms are driven out!

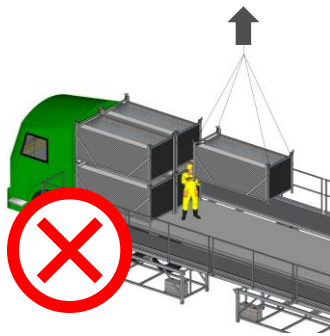


Working with the Platform

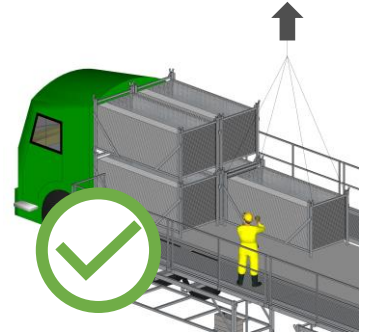
2 Truck loading or unloading



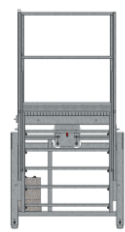
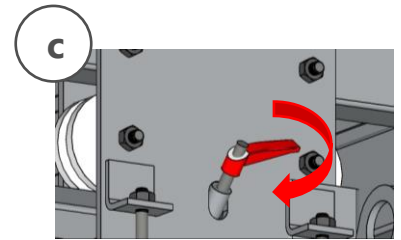
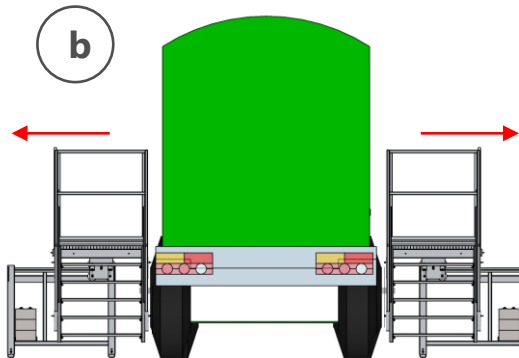
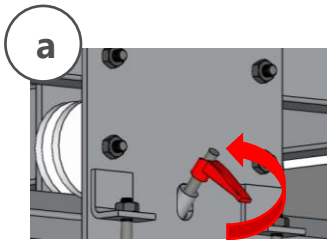
Do not use the platform for storing!



Not allowed for any person to be on the truck while loading or unloading!



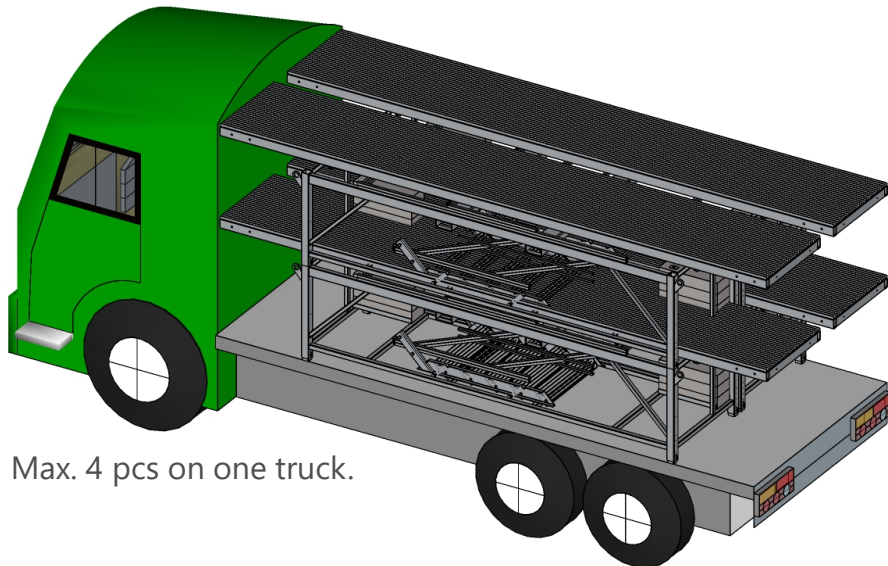
3 Driving the platform in (before the truck leave)



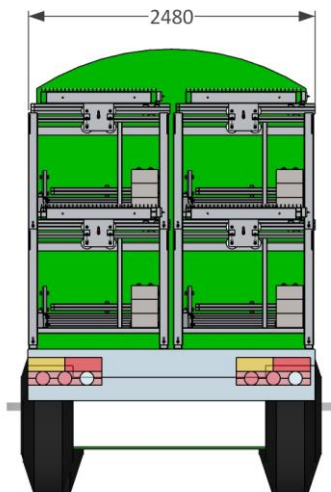
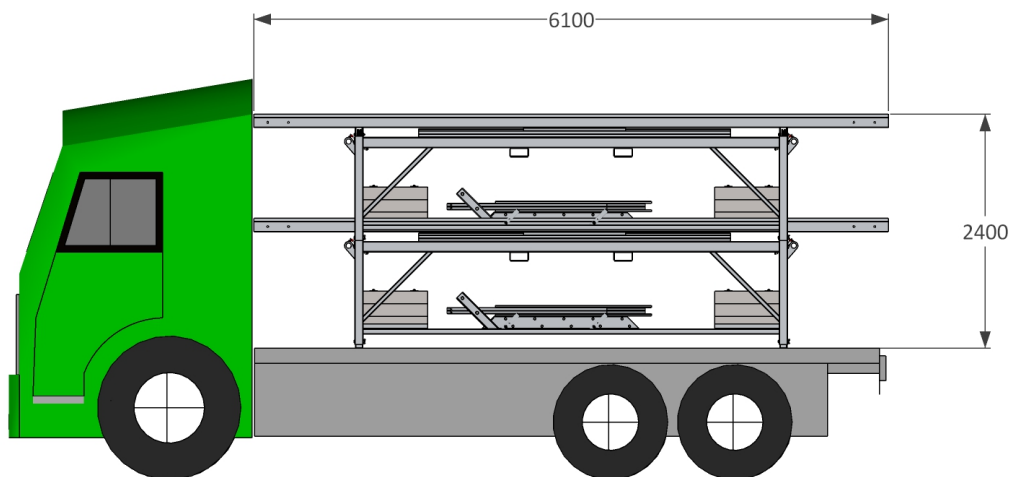
Ready for the next truck!



Packaging



Max. 4 pcs on one truck.



[mm]

Tammet Oy
Metallikutomonkatu 1
10600 Tammisaari

www.tammet.fi
info@tammet.fi
+358 201 450 201

