

MNF

PORTABLE EXTRACTION FAN

The MNF is a portable fan that provides extraction in confined spaces and other hard to reach areas. For this purpose an extraction hose needs to be connected. Exhaust and/or extension hose is optional.

The MNF is mounted on a frame for easy removal.
A motor protection switch prevents overheating of the motor.
The MNF does not provide filtration.



APPLICATIONS

The MNF is intended to be used for the following applications:

- MIG-MAG/GMAW welding
- TIG welding
- FCAW welding
- stick/MMAW welding



Do **not** use the MNF for the following applications or in the following circumstances:

- arc-air gouging
- aluminium laser cutting
- extraction of aggressive fumes and gases (e.g. from acids, from alkaline, from soldering paste containing lithium)
- extraction of hot gases (more than 45°C/113°F continuously)
- grinding aluminum and magnesium
- flame spraying
- extraction of cement, saw dust, wood dust etc.
- sucking cigarettes, cigars, oiled tissues and other burning particles, objects and acids
- explosive environments or explosive substances/gases



SPECIFICATIONS

Physical dimensions and properties



Material:	<ul style="list-style-type: none"> • polypropylene • powder coated steel
Colour:	<ul style="list-style-type: none"> • housing • motor • frame
Colour:	<ul style="list-style-type: none"> • grey RAL 7024 • black RAL 9005 • black RAL 9005
Inlet diameter	Ø 160 mm (Ø 6.30 in.)
Outlet diameter	Ø 160 mm (Ø 6.30 in.)
Weight (net)	17 kg (37.5 lbs)
Supply cable	6 m (19.7 ft); without plug

Performance

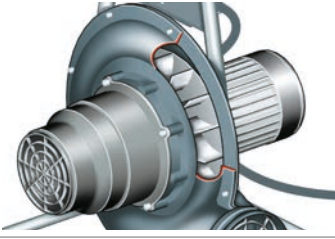
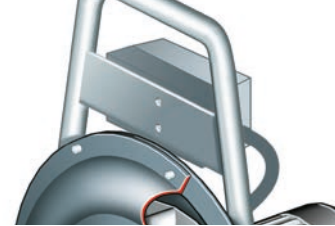
Fan type	radial
Unrestricted airflow	2400 m ³ /h (1413 CFM)
Net extraction capacity:	<ul style="list-style-type: none"> • MNF + SUS-5/160 • MNF + SUS-5/160 + EXS-5/160
	<ul style="list-style-type: none"> • 1300 m³/h (765 CFM) • 1150 m³/h (677 CFM)

Speed	2800 rpm
Noise level (incl. SUS-5/160)	69 dB(A) according to ISO 3746
Electrical data	
Power consumption	0,75 kW (1 HP)
Available connection voltages	115V/1~/50Hz; 230V/1~/50Hz; 230V/3~/50Hz; 400V/3~/50Hz; 400V/3~/60Hz
Insulation class	F
Protection class	IP 55
Ambient conditions	
operating temperature:	<ul style="list-style-type: none"> • min. • nom. • max.
	<ul style="list-style-type: none"> • 5°C (41°F) • 20°C (68°F) • 45°C (113°F)
Max. relative humidity	80%
Outdoor use allowed	no
Storage conditions	<ul style="list-style-type: none"> • 5-45°C (41-113°F) • relative humidity max. 80%
Product combinations	
SUS-5/160 (compulsary)	flexible extraction hose 5 m/16.5 ft
Available options	
EXS-5/160	exhaust/extension hose 5 m/16.5 ft (max. hose length: total 20 m/66 ft)
Scope of supply	
Portable fan - Hardware	
Order information	
Article numbers:	<ul style="list-style-type: none"> • MNF 115V/1~/50Hz • MNF 230V/1~/50Hz • MNF 230V/3~/50Hz • MNF 400V/3~/50Hz • MNF 400V/3~/60Hz
• 7130800000	
• 7130200000	
• 7130300000	
• 7130500000	
• 7130520000	
Number/package	1
Shipping data	
Gross weight	20 kg (44 lbs)
Packing dimensions	50 x 60 x 50 cm (19.7 x 23.6 x 19.7 in.)

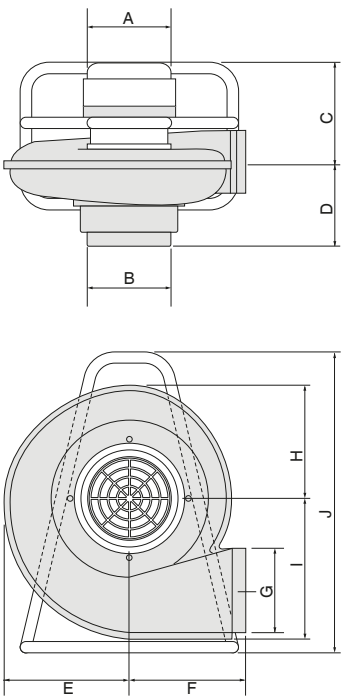
Max. number/pallet	
Harmonized Tariff Code	8414.5940.90
Country of origin	the Netherlands

■ Approvals/certificates	
	
	Directive 2011/65/EC (RoHS) valid as of 8 June 2011

FEATURES

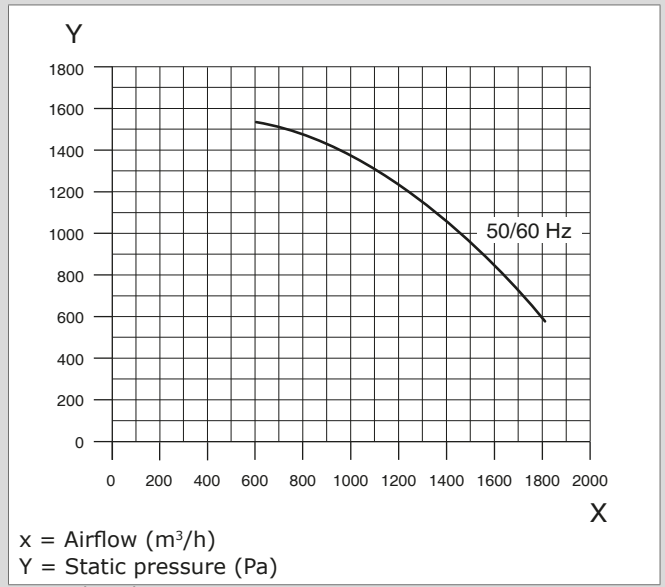
Radial fan wheel	
Motor protection switch	

DIMENSIONS

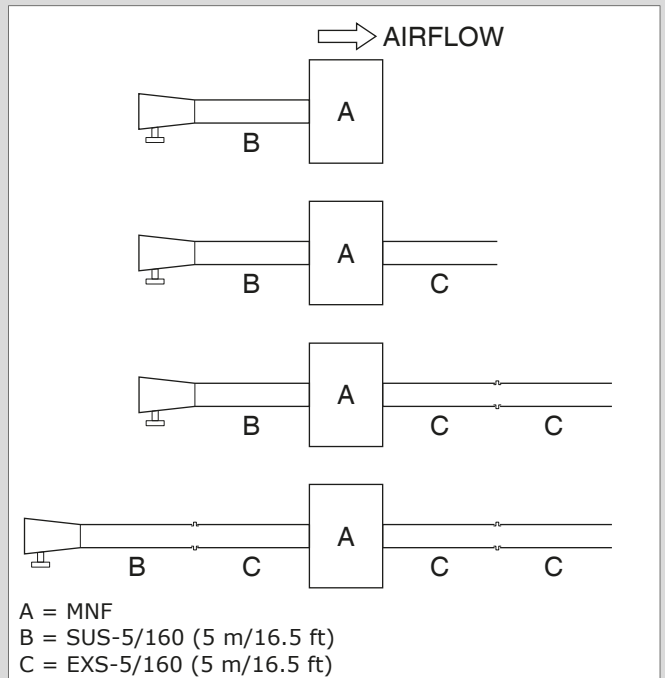


	mm	inch
A	Ø 160	Ø 6.30
B	Ø 160	Ø 6.30
C	300	11.81
D	180	7.09
E	250	9.84
F	230	9.06
G	Ø 160	Ø 6.30
H	225	8.86
I	275	10.83
J	587	23.11

FAN CURVE



POSSIBLE CONFIGURATIONS



Product type	MNF
Article no.	refer to order information
Product category	portable/mobile welding fume extractors
Version	011214/C

Always check the latest version on www.plymovent.com