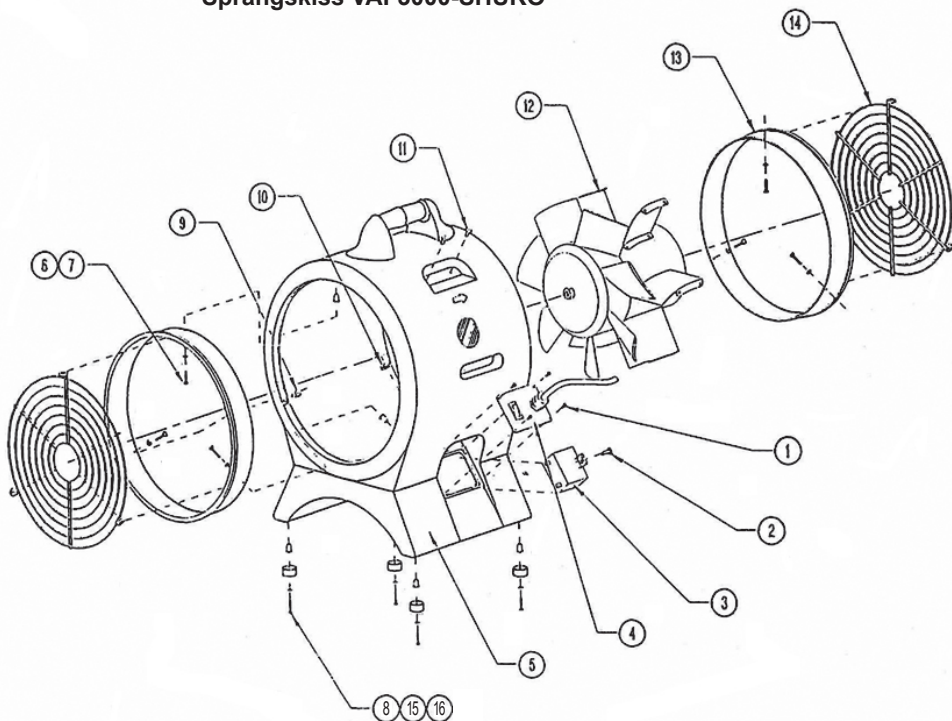


## Sprängskiss VAF3000-SHUKO

This manual was originally written in English and translated into other languages



Pos	Del	#	Beskrivning
1	OSMS8X12PPHSS	4	skruv #8 x 1/2" PPH SS
3	OCAP40UF370V OCC114	1	Kondensator 230V
4	SWPLTASY-V30B-S CORD-1,5MMEU20S CONNECTOR-PG11 ORSSPST20A ORSCAP SWPLT-VAF3000	1	1-1/4" klämma (endast 230V) Switch Plate Kabelsats 230V nätsladd 20' med Stickpropp sladddragavlastning vippbrytare vippbrytarskydd Brytarplatta
5	HSG-VAF3000 HSG-VAF3000-ORG	1	Skalhus Blå Skalhus Orange
6	OBM3-0.5X25HHSS	6	Bult M3x.5 25mm
7	OWM3SS	6	Bricka M3 SS
8	ORF78OD	8	ORF78OD
9	OWNM3-0.5HT	9	OWNM3-0.5HT
10	ORG38X1316X38	10	ORG38X1316X38
11	ORIVET6-8A-B1	11	ORIVET6-8A-B1
12	CS211-50-SP ONY3816Z OW38X114FWZ OS838X14HWHTC MTRVN-VAF3000 BLADE-VAF3000	12	CS211-50-SP ONY3816Z OW38X114FWZ OS838X14HWHTC MTRVN-VAF3000 BLADE-VAF3000
13	RING-VAF3000	13	RING-VAF3000
14	GUARD-VAF3000-CE	14	GUARD-VAF3000-CE
15	OS632X134PPHZ	15	OS632X134PPHZ
16	OHWA18S	16	OHWA18S
4	gummifot 7/8" OD	4	gummifot 7/8" OD
6	Brunnsmutter M3x.5	6	Brunnsmutter M3x.5
1	gummigenomföring 3/8"	1	gummigenomföring 3/8"
3	Nit 3/16" x 1/2" G	3	Nit 3/16" x 1/2" G
1	Motor 1 HP 230V 50 Hz	1	Motor 1 HP 230V 50 Hz
1	Mutter Nyloc 3/8" -16	1	Mutter Nyloc 3/8" -16
1	bricka 3/8"	1	bricka 3/8"
12	skruv 8-32 x 1/4" gängning	12	skruv 8-32 x 1/4" gängning
6	motormonterad skovel	6	motormonterad skovel
1	Fläktblad 12" 7 Wing	1	Fläktblad 12" 7 Wing
2	kanalring 12"	2	kanalring 12"
2	Wire Guard 12" CE Spec	2	Wire Guard 12" CE Spec
4	bult 6-32 x 1-3/4"	4	bult 6-32 x 1-3/4"
4	väggankare 1/8"	4	väggankare 1/8"

