

# 1250AJP

ARTICULATING ULTRA BOOM

BOOM LIFT



## KEY SPECS

**Platform Height**  
125-ft 8-in / 38.3-m

**Up and Over Height**  
60-ft 6-in / 18.44-m

**Horizontal Outreach**  
63-ft 2-in / 19.25-m

**Platform Capacity**  
1,000-lb / 454-kg - Restricted  
500-lb / 227-kg - Unrestricted

## KEY FEATURES

- Experience faster cycle speeds from ground to full elevation with exclusive QuikStik® boom technology.
- Carry everything you need right to the job with dual 1,000-lb restricted and 500-lb unrestricted capacities for maximum productivity.
- Equipped with a fuel-efficient Tier 4 engine to power through the work day.
- Simple, single sensor load sensing system features fewer parts and requires no weight to calibrate.

## ACCESSORIES & OPTIONS

- Accessory Packages:
  - SkyWelder® Package
  - SkyPower® Package
  - SkyGlazier® Package
- Ambient White Noise Alarm
- Bolt On Fall Arrest System
- Cold Package Plus<sup>1</sup>
- Cold Weather Package<sup>2</sup>
- Hostile Environment Package<sup>3</sup>
- Light Package
- Platform Mesh, Bolt On
  - Mesh to Top Rail, Plastic or Aluminum
  - Mesh to Mid Rail, Plastic or Aluminum
- Platform Options
  - Drop Bar - 30 x 36-in, 36 x 72-in, 36 x 96-in
  - Fall Arrest, Rear Entry - 36 x 72-in 36 x 96-in
  - Inward Self-Closing Swing Gate - 36 x 72-in, 36 x 96-in
  - Tri-Entry, Drop Bar - 36 x 72-in, 36 x 96-in
  - Tri-Entry, Swing Gate - 36 x 72-in, 36 x 96-in
- SkySense® Enhanced Detection System
- Soft Touch System
- Storage Tray, Center or Corner

## STANDARD SPECIFICATIONS

### Performance

|                                  |   |
|----------------------------------|---|
| Platform Height                  | 125-ft 8-in / 38.3-m                      |
| Horizontal Outreach              | 63-ft 2-in / 19.25-m                      |
| Up and Over Clearance            | 60-ft 6-in / 18.44-m                      |
| Swing                            | 360 Degrees Continuous                    |
| Platform Capacity (Restricted)   | 1,000-lb / 454-kg                         |
| Platform Capacity (Unrestricted) | 500-lb / 227-kg                           |
| Platform Rotator                 | 180 Degrees                               |
| Jib Length                       | 8-ft / 2.44-m                             |
| Jib Range of Articulation        | 130 Degrees (+75, -55)                    |
| Jib Horizontal Rotation          | 125 Degrees (55 right, 70 left)           |
| Weight*                          | 44,000-lb / 19,958-kg                     |
| Max. Ground Bearing Pressure     | 100 psi / 7.03 kg/cm <sup>2</sup>         |
| Drive Speed                      | 3.25 mph / 5.2 km/h                       |
| Gradeability                     | 45%                                       |
| Tilt Cut Out                     | 5 Degrees                                 |
| Turning Radius (Inside):         |   |
| Axles Retracted/Extended         | 14-ft 5-in (4.39-m) / 8-ft (2.44-m)       |
| Turning Radius (Outside):        |   |
| Axles Retracted/Extended         | 22-ft 6-in (6.86-m) / 19-ft 4-in (5.89-m) |

### Engine

|                                       |                   |
|---------------------------------------|-------------------|
| Diesel Engine – Deutz TCD2.9L4 Tier 4 | 74.2 hp / 55.4 kW |
| Fuel Tank Capacity                    | 31 gal / 170 L    |

### Tires

|          |                        |
|----------|------------------------|
| Standard | 445/50D710 Foam-filled |
| Optional | 445/65 Solid           |

### Hydraulic System

|          |                |
|----------|----------------|
| Capacity | 53 gal / 201 L |
|----------|----------------|

## STANDARD FEATURES

- 12V-DC Auxiliary Power (500/1,000-lb)
- 180° Hydraulic Platform Rotator
- AC Receptacle in Platform
- All Motion Alarm
- Articulating Jib
- ClearSky Smart Fleet™ Hardware (CS550)\*\*
- Control ADE® System
- Dual USB Power Outlet
- Dual Rated Capacities
- Drive-Out Extendable Axles
- Engine Distress Warning/Shutdown—Selectable via JLG Analyzer
- Gull-Wing Steel Hoods
- Hourmeter
- Hydrostatic Drive
- LED Motion/Amber Beacon (CS550)\*\*
- Lifting/Tie Down Lugs
- Load Sensing System
- Platform, 36 x 96-in (.91 x 2.44-m)
- Platform Console Machine Status Light Panel\*\*\*
- Proportional Controls
- QuikStik®
- SkyGuard SkyLine™
- Swing-Out Engine Tray
- Tilt Light and Alarm

\*Certain Options or Country Standards Increase Weight.

\*\*Standard Beacon and ClearSky Smart Fleet Hardware Availability Varies by Model Throughout 2023.

\*\*\*Provides Indicator Lights at Platform Control Console for System Distress, Low Fuel, Degree Tilt Light and Foot Switch Status.

1. Includes extreme cold engine oil, fuel conditioner, engine block heater, battery blanket, glow plugs, hydraulic tank heater, oversized footswitch and arctic hydraulic oil priced separately.
2. Includes battery blanket, hydraulic tank heater, block heater.
3. Includes console cover, boom wipers and cylinder bellows.

Additional accessories and options available via JLG Aftermarket.

# 1250AJP

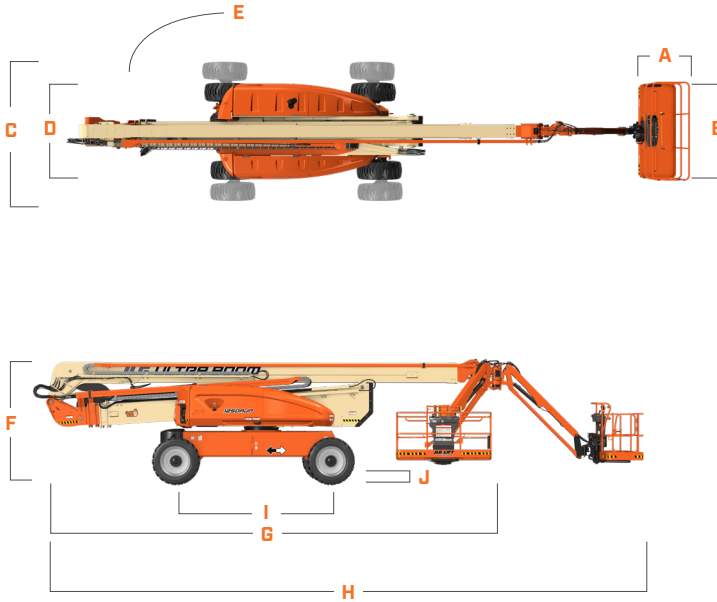
## ARTICULATING ULTRA BOOM

BOOM LIFT



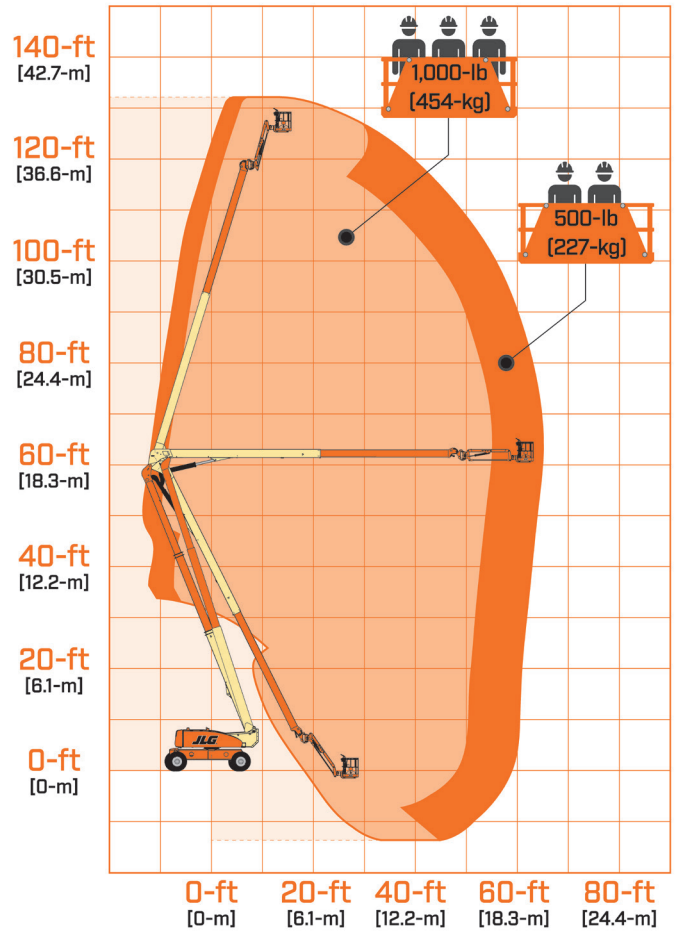
### DIMENSIONS

All dimensions are approximate



- A. Platform Width 36-in / 0.91-m
- B. Platform Length 96-in / 2.44-m
- C. Machine Width - Axles Extended 12-ft 6-in / 3.81-m
- D. Machine Width - Axles Retracted 8-ft 2-in / 2.49-m
- E. Tailswing 9-ft 3-in / 2.84-m
- F. Machine Height 9-ft 11-in / 3.02-m
- G. Machine Length - Stowed 37-ft 7-in / 11.45-m
- H. Machine Length - Overall 47-ft 6-in / 14.48-m
- I. Wheelbase 12-ft 6-in / 3.81-m
- J. Ground Clearance 12-in / 30-cm - Axle  
25.5-in / 65-cm - Chassis

### REACH DIAGRAM



We provide coverage for one (1) full year, and cover all specified major structural components for five (5) years. Due to continuous product improvements, we reserve the right to make specification and/or equipment changes without prior notification. This machine meets or exceeds applicable ANSI and CSA requirements based on machine configuration as originally manufactured for intended applications. Please reference the serial number plate on the machine for additional information.



JLG INDUSTRIES, INC.  
Toll-free US 877-JLG-LIFT  
JLG.com

An Oshkosh Corporation Company