

EN

ORIGINAL INSTRUCTIONS
ODOUR NEUTRALISER



Table of contents

Notes regarding the instructions 2

Safety 2

Information about the device 5

Transport and storage 6

Assembly and start-up 6

Operation 7

Available accessories 10

Errors and faults 10


Maintenance 11


Technical annex 13


Disposal 16

Notes regarding the instructions


Symbols


 **Warning of electrical voltage**
This symbol indicates dangers to the life and health of persons due to electrical voltage.

 **Warning**
This signal word indicates a hazard with an average risk level which, if not avoided, can result in serious injury or death.

 **Caution**
This signal word indicates a hazard with a low risk level which, if not avoided, can result in minor or moderate injury.

Note
This signal word indicates important information (e.g. material damage), but does not indicate hazards.

 **Info**
Information marked with this symbol helps you to carry out your tasks quickly and safely.

 **Follow the manual**
Information marked with this symbol indicates that the instructions must be observed.

You can download the current version of the instructions via the following link:




AirgoPro® 8



<https://hub.trotec.com/?id=44831>

Safety

Read this manual carefully before starting or using the device. Always store the manual in the immediate vicinity of the device or its site of use.

 **Warning**
Read all safety warnings and all instructions.
Failure to follow the warnings and instructions may result in electric shock, fire and/or serious injury.
Save all warnings and instructions for future reference.

- Do not use the device in potentially explosive rooms or areas and do not install it there.
- Do not use the device in aggressive atmosphere.
- Only put up the device in an upright, stable position on firm ground.
- Let the device dry out after a wet clean. Do not operate it when wet.
- Do not use the device with wet or damp hands.
- Do not expose the device to directly squirting water.
- Do not expose the device to liquids as it is not protected against splash water.
- Never insert any objects or limbs into the device.
- Do not cover the device during operation.
- Do not sit on the device.
- This appliance is not a toy. Keep away from children and animals. Do not leave the device unattended during operation.
- Check accessories and connection parts for possible damage prior to every use of the device. Do not use any defective devices or device parts.
- Ensure that all electric cables outside of the device are protected from damage (e.g. caused by animals). Never use the device if electric cables or the power connection are damaged!
- The mains connection must correspond to the specifications in the Technical annex.
- Insert the mains plug into a properly fused mains socket.

- Observe the technical data when selecting extensions to the power cable. Completely unroll the extension cable. Avoid electrical overload.
- The device must be maintained at least once a year (see chapter Maintenance).
- Before carrying out maintenance, care or repair work on the device, remove the mains plug from the mains socket. Hold onto the mains plug while doing so.
- Switch the device off and disconnect the power cable from the mains socket when the device is not in use.
- Check the power cable and mains plug for damage. If you notice damages, do not try to take the device back into operation. Order a new power cable with mains plug from Trotec and replace the defective power cable with mains plug with the new one.
Defective power cables pose a serious health risk!
- When positioning the device, observe the minimum distances from walls and other objects as well as the storage and operating conditions specified in the Technical annex.
- Make sure that the air inlet and outlet are not obstructed.
- Make sure that there are no loose items or dirt located in the immediate surroundings of air inlet and air outlet.
- Do not expose the device to heat or direct sunlight.
- Never put the device into operation whilst the cover is not completely closed.
- Make sure that the suction side is kept free of dirt and loose objects.
- This odour neutraliser generates very small amounts of ozone (max. 0.05 ppm/sqm) which are harmless to health. Reduce the ozone output if you notice the smell of ozone. Take the device out of operation, ventilate the room and leave it.

Intended use

Only use the device in closed rooms whilst adhering to the technical data and safety instructions.

The device may only be used in the commercial sector and in the industry, especially

- for the professional elimination of odours after fire or water damages,
- for the sterilization of rooms (killing viruses, bacteria, mould and other microorganisms).

The device may only be used by especially trained expert staff.

Foreseeable misuse

- Do not use the device as private individual or at home / in a domestic environment.
- Do not place the device on wet or flooded ground.
- Do not place any objects, e.g. clothing, on the device.
- Do not use the device out of doors.
- Do not use the device in bathrooms and rooms with a high humidity level.
- Do not use the device in rooms where large amounts of dust are produced, e.g. in production halls, workshops or on construction sites.
- Moreover, the integrated filter system is not suited for removing dusts that are potentially harmful to health (e.g. pollutants) from the air.
- Any use other than the intended use is regarded as a reasonably foreseeable misuse.
- Any unauthorised modifications, alterations or structural changes to the device are forbidden.

Personnel qualifications

People who use this device must:

- have been trained in handling the device and be aware of the dangers that occur when working with odour neutralisers.
- have read and understood the instructions, especially the Safety chapter.

Residual risks



Warning of electrical voltage

Work on the electrical components must only be carried out by an authorised specialist company!



Warning of electrical voltage

Before any work on the device, remove the mains plug from the mains socket!

Do not touch the mains plug with wet or damp hands. Hold onto the mains plug while pulling the power cable out of the mains socket.



Warning

Dangers can occur at the device when it is used by untrained people in an unprofessional or improper way! Observe the personnel qualifications!



Warning

The device is not a toy and does not belong in the hands of children.



Warning

Risk of suffocation!
Do not leave the packaging lying around. Children may use it as a dangerous toy.



Caution

Risk of injury caused by inhalation of ozone!

During the air purification cycle, small amounts of ozone (O₃) may be produced. If necessary, gradually reduce the production or take the device out of operation!

The following symptoms could be indicative of poisoning or an irritation caused by ozone:

- eye irritations – conjunctivitis, stinging and watering eyes
- strong urge to cough
- shortness of breath – chest tightness
- pain while inhaling
- dizziness, light-headedness
- headache
- feeling of faintness

Should you experience one or more of the above symptoms relating to the use of the odour neutraliser, seek medical treatment immediately!

Note

Do not operate the device without an air filter inserted into the air inlet!

Without the air filter, the inside of the device will be heavily contaminated. This could reduce the performance and result in damage to the device.

Note

Do not use abrasive cleaners or solvents to clean the device.

Behaviour in the event of an emergency

1. In an emergency, disconnect the device from the mains feed-in: Hold onto the mains plug while pulling the power cable out of the mains socket.
2. Ensure sufficient fresh air supply and leave the room.
3. Do not reconnect a defective device to the mains.

Information about the device

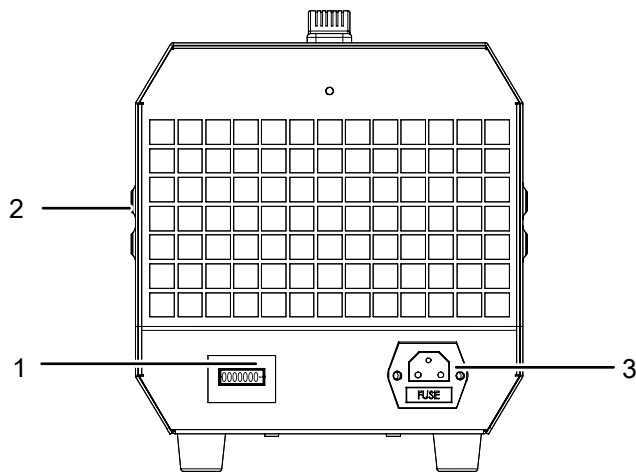
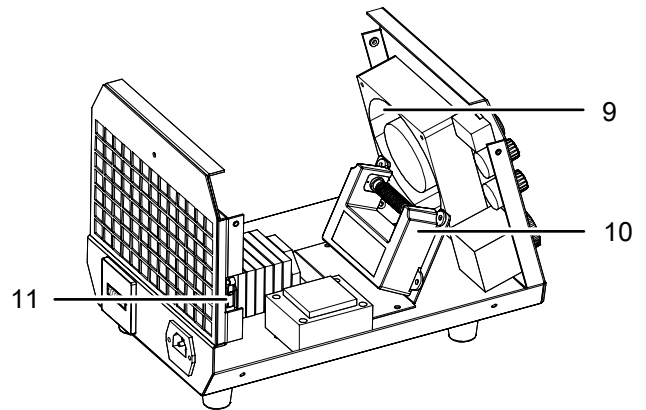
Device description

With the device AirgoPro 8, kitchen smells or musty smells as well as the smells left behind by cigarette smoke or a fire etc. can be effectively removed.

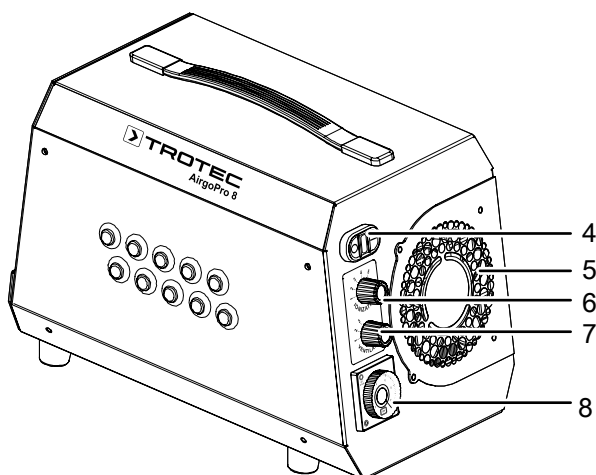
The device serves for the odour elimination in closed rooms. During the treatment, the oxygen contained in the room air is converted so that existing odour molecules are broken down by means of oxidation.

The device also produces very small amounts (max. 0.05 ppm/m³) of ozone (O₃), but these are harmless to health.

Device depiction



No.	Designation
1	Operating hours counter
2	Air inlet with air filter
3	Mains connection
4	On/off switch
5	Air outlet
6	Intensity level controller
7	Fan speed controller
8	Timer switch
9	Fan
10	Electrode
11	Safety switch



Transport and storage

Note

If you store or transport the device improperly, the device may be damaged.

Note the information regarding transport and storage of the device.

Transport

To make the device easier to transport, it is fitted with a carry handle.

Before transporting the device, observe the following:

- Switch the device off.
- Hold onto the mains plug while pulling the power cable out of the mains socket.
- Do not use the power cable to drag the device.

After transporting the device, proceed as follows:

- Set up the device in an upright position after transport.

Storage

When the device is not being used, observe the following storage conditions:

- Store the device in a dry location and protected from frost and heat.
- If required, use a cover to protect the device from invasive dust.

Assembly and start-up

Scope of delivery

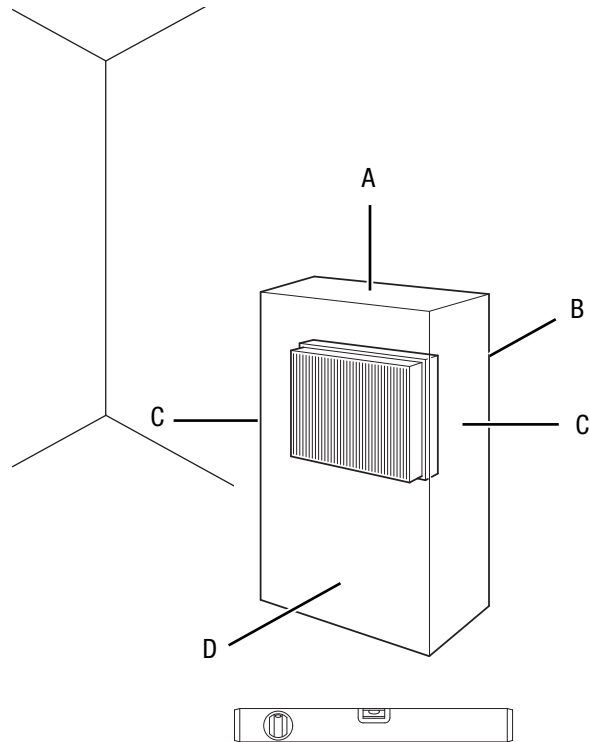
- 1 x device
- 1 x connection cable
- 1 x air filter
- 1 x manual

Unpacking the device

1. Open the cardboard box and take the device out.
2. Completely remove the packaging.
3. Fully unwind the power cable. Make sure that the power cable is not damaged and that you do not damage it during unwinding.

Start-up

When positioning the device, observe the minimum distance from walls or other objects as described in the chapter Technical annex.



- Before restarting the device, check the condition of the power cable. If there are doubts as to the sound condition, contact the customer service.
- Only put up the device in an upright, stable position on firm ground.
- Make sure the device is only placed on firm, dry and vibration-free ground.
- Position the device as close as possible to the centre of the room to ensure an optimum air circulation.
- When positioning the device, keep a sufficient distance to heat sources.
- Make sure that no curtains or other objects interfere with the air flow.
- Do not position the device near inflammable substances and gases.
- Make sure that the air inlet and outlet are not obstructed.
- Make sure that the device is protected from spray water.
- Do not create tripping hazards when laying the power cable or other electric cables, especially when positioning the device in the middle of the room. Use cable bridges.

- Make sure that extension cables are completely unrolled.
- The room temperature should be approx. 5 °C higher than the usual room temperature.

Connecting the power cable

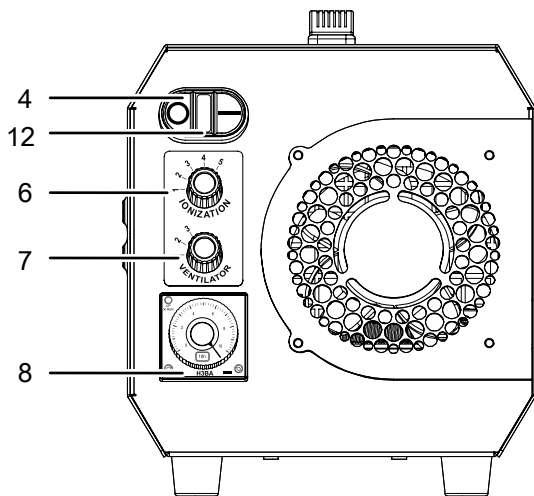
- Insert the mains plug into a properly fused mains socket.

Operation

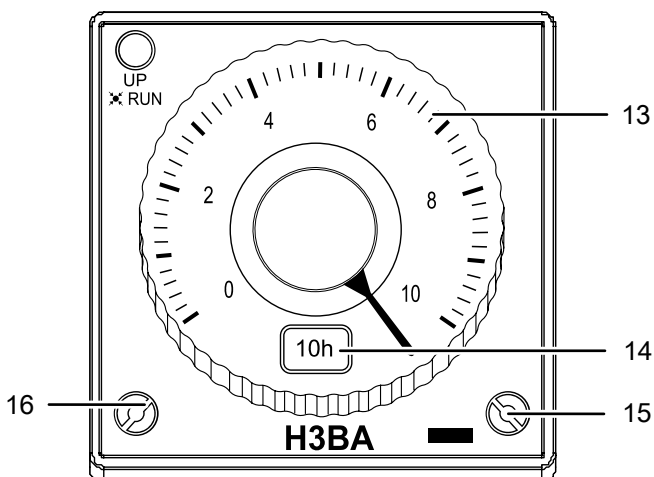
Note

Avoid open doors and windows.

Operating elements



Timer switch



No.	Designation	Description
4	On/off switch	Switching the device on or off 0 = switched off I = switched on
6	Intensity level controller	Set intensity levels for the treatment
7	Fan speed controller	Setting the fan speed
8	Timer switch	Setting the treatment duration: 0 – 99 hours (ozone generation begins 1 minute after activation)
12	Operating control lamp	Illuminated when the device is in operation
13	Scale	Displays the set time
14	Multiplier display	Indicates the set multiplier
15	Rotary switch for scale	Setting the time scale
16	Rotary switch for multiplier	Setting the multiplier in the following increments: 0-0.5, 0-1, 0-5, 0-10



Caution

Risk of injury caused by inhalation of ozone!

During the air purification cycle, small amounts of ozone (O₃) may be produced. If necessary, gradually reduce the production or take the device out of operation!

The following symptoms could be indicative of poisoning or an irritation caused by ozone:

- eye irritations – conjunctivitis, stinging and watering eyes
- strong urge to cough
- shortness of breath – chest tightness
- pain while inhaling
- dizziness, light-headedness
- headache
- feeling of faintness

Should you experience one or more of the above symptoms relating to the use of the odour neutraliser, seek medical treatment immediately!



Info

Follow the instructions in chronological order as described under *Carrying out an odour neutralisation* before switching on the device.

Switch-on / switch-off

1. Switch on the device by setting the timer (8) to any desired time.
2. Set the *on/off* switch (4) to **I** to switch the device on.
 - ⇒ The operating control lamp (12) is illuminated.
 - ⇒ The timer flashes (8).
3. Set the *on/off* switch (4) to **O** to switch the device off.

Reading the operating hours

The operating hours counter (1) indicates the duration the device has already been in operation.

The number of elapsed operating hours can be used for the calculation of the energy consumption. Use the following formula:

$0.11 \text{ kW/h} \times \text{operating hours.}$

The result will be no more than an approximate value of the average consumption. For the precise determination of the current consumption you can additionally install an ammeter between device and energy source.

Cleaning intensity

You can set the cleaning intensity or ionisation in 5 stages.

Make the adjustment on the intensity level controller (6) by turning it to the left.

You can also change the setting during operation.

Setting the fan speed

Set the fan speed to one of 3 stages by setting the fan speed controller (7) to the desired position. The higher the selected stage, the higher the cleaning intensity.

You can also change the setting during operation.

Setting the treatment duration

Using the integrated timer (8) you can set the treatment duration to a period from 0 to 99 hours. Use the rotary switch for the multiplier (16) to determine whether the indicator scale (13) shall be used for 5 or 50 time units.

After the expiration of this time the device will switch off automatically.

The timer is equipped with three switches for setting the treatment duration.

The timer has a rotary switch for the scale (15) for setting numerical values.

Ozone will only be emitted after one minute if the timer is activated.

Please proceed as follows to adjust the treatment duration:

1. Use a screwdriver to set the desired numerical value via the rotary switch for the scale (15).
 - ⇒ You can choose between seconds, minutes and hours.
 - ⇒ The selected numerical value is indicated on the scale (13).
2. Set the required multiplier value with the rotary switch for the multiplier (16).
 - ⇒ Turn the selector switch to the left or right and select the time units with multiplier 1 (multiplier increments: 0-0.5, 0-1, 0-5, 0-10).
 - ⇒ The duration is indicated on the scale (13).

Performing odour neutralisation

Please proceed as follows to perform an air purification:

1. Position the device in the centre of the room.
2. Connect the mains cable and connect the device to the power supply. Observe the technical data.
3. Set the treatment duration by means of the timer (8).
4. Set the cleaning intensity on the intensity level controller (6).
5. Set the fan speed on the fan speed controller (7).
6. Set the *on/off* switch (4) to **I** to switch the device on.
 - ⇒ The operating control lamp (12) is illuminated.
 - ⇒ The timer flashes (8).
 - ⇒ Air purification will start immediately. After the set time period has elapsed, the device switches off automatically.

Operating parameters

The respective treatment duration that is required depends on the condition. Note the following factors:

- type of smell
- odour intensity
- room size and temperature
- material composition of the odour source
- exposure time and depth up to which the material has been affected by the odour source

The perception of odours is subjective. For this reason, a linear reference variable is specified which depends on room size and temperature.

For odour elimination please proceed as follows:

1. Before the first application, air the room out thoroughly.
2. Set the intensity level controller (6) to level 3 and the fan speed controller (7) to level 2.
3. Set the *on/off* switch (4) to I to switch the device on.
⇒ The larger the room, the longer the treatment period.
The device requires approx 24 hours for living spaces with 100 m³.
4. At the end of the treatment period, the odour intensity should improve and / or a slight smell of ozone should be noticeable.
5. Increase the intensity level controller (6) by one stage when you have noticed an improvement.
6. If you do not notice any improvement, increase the intensity level via the intensity level controller (6) and the fan speed by one stage via the fan speed controller (7).
7. Treat the room with the new settings applied.
⇒ For each new adjustment, wait for the set time to elapse before making a new adjustment.
8. Air out the room after each interval and after each readjustment.

The temperature is also a crucial factor for successful treatment. Heat increases the rate at which odorous substances diffuse from materials. The odour is bound in the air by oxygen.

If the room temperature is below 12 °C, some odours are not noticeable, but reappear at higher temperature levels over a longer period of time (i.e. in summer). Hence, the correct temperature for an effective treatment is to be attained by trial and error.

Every person's perception of smell is different and subjective, which is why it is difficult to give a general dosage recommendation.

Note

This device is an odour neutraliser and not an odour enhancer. Using the device does not guarantee that a pleasant odour is produced.

Shutdown



Caution

Risk of injury caused by ozone!

Have especially trained staff check the ozone concentration before entering the room and permitting others to access it.

The device was designed to switch off automatically once the set time has elapsed. A corresponding function was integrated by way of a timer.

At the end of the treatment the room must be aired out extensively. Open doors and windows. Take the corresponding protective measures (see Safety chapter).

Proceed as follows to take the device out of operation after treating the room:

1. Switch off the device by setting the on/off switch (4) to the **0** position.
2. Disconnect the device from the mains by removing the mains plug from the mains connection (3).

Available accessories



Warning

Only use accessories and additional equipment specified in the instructions.

Using insertion tools or accessories other than those specified in the instructions may cause a risk of injury.

Designation	Article number
Operating hours counter	7.140.000.899
Connection plug incl. mains plug	7.140.000.079
Fuse 3.15 mA	7.140.000.272
Transformator	7.140.000.006
Electrode	7.140.000.432
Timer switch	7.140.000.422
Fan speed controller	7.130.001.372
Mains switch	7.130.000.430
Fan	7.150.000.009
Microswitch	7.130.000.425
Air filter	7.710.000.393

Errors and faults

The device has been checked for proper functioning several times during production. If malfunctions occur nonetheless, check the device according to the following list.

The device does not start:

- Check the power connection.
- Check the power cable and mains plug for damage.
- Check the on-site fusing.
- Switch the fuse back on or have a defective fuse replaced by a specialist company.
- Wait for 10 minutes before restarting the device. If the device is not starting, have the electricians checked by a specialist company or by Trotec.

The device is very loud:

- Position the device on a dry, firm and level surface.
- Check whether the fan and its bearing for damage. If you detect any damage, have the device checked by a certified specialist workshop.

The device works with no capacity or the air quality does not improve:

- Check whether any windows and/or doors of the room are open. If so, close them.
- Check the minimum distance to walls or other objects. Position the device a little more in the room's centre if required.

The odour nuisance persists after the completed purification process with the same intensity:

- Have the device checked by a certified specialist workshop.

The device still does not operate correctly after these checks:

Please contact the customer service. If necessary, bring the device to an authorised specialist electrical company or to Trotec for repair.

Maintenance

Maintenance intervals

Maintenance and care interval	before every start-up	as needed	at least every 2 weeks	at least every 4 weeks	at least every 6 months	at least annually
Check air inlets and outlets for dirt and foreign objects and clean if necessary	X			X		
Clean the exterior		X				X
Visually check the inside of the device for dirt		X				X
Check the filter for dirt and foreign objects and clean or replace if necessary	X		X			
Replace the filter					X	
Check for damage	X					
Check the attachment screws		X				X
Test run						X

Maintenance and care log

Device type:

Device number:

Maintenance and care interval	1	2	3	4	5	6	7	8	9	10	11	12	13	14	15	16
Check air inlets and outlets for dirt and foreign objects and clean if necessary																
Clean the exterior																
Visually check the inside of the device for dirt																
Check the filter for dirt and foreign objects and clean or replace if necessary																
Replace the filter																
Check for damage																
Check the attachment screws																
Test run																

1. Date: Signature:	2. Date: Signature:	3. Date: Signature:	4. Date: Signature:
5. Date: Signature:	6. Date: Signature:	7. Date: Signature:	8. Date: Signature:
9. Date: Signature:	10. Date: Signature:	11. Date: Signature:	12. Date: Signature:
13. Date: Signature:	14. Date: Signature:	15. Date: Signature:	16. Date: Signature:

Activities required before starting maintenance



Warning of electrical voltage

Do not touch the mains plug with wet or damp hands.

- Make sure that the device is switched off.
- Hold onto the mains plug while pulling the power cable out of the mains socket.

Care and maintenance must be performed on a regular basis to ensure the proper functioning and failure-free operation of the device.

The type and frequency of the maintenance tasks fundamentally depends on the operating environment as well as on the duration and type of use.

In the course of using the device, dust and moisture can accumulate in or on the components which may compromise functionality and efficiency.

In rooms with a high volume of dust and dirt or after fire damage restorations (high moisture level) you should already check the need for maintenance after only a few applications.

In dry surroundings e.g. hotels or as part of car valeting one can assume a maintenance rate of several months.

Criteria for determining the maintenance interval

Device operation takes place:

- frequently and several hours at a time
- on many days per month
- in excessively dirty surroundings
- in humid rooms

Regardless of the described operating conditions you should perform maintenance work if one or more of the following signs become apparent:

- increased noise level during operation of the fan
- heavily contaminated air filter
- dirty electrode (recognizable by: The hissing sound produced during ozone generation dies away.)

Cleaning the housing

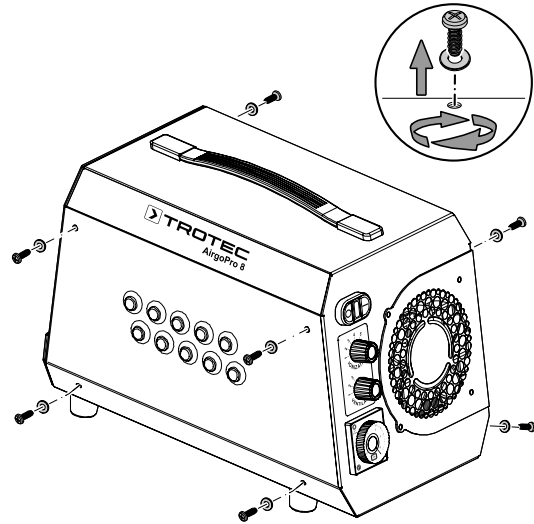
Clean the housing with a soft, damp and lint-free cloth. Make sure that no moisture enters the housing. Protect electrical components from moisture. Do not use any aggressive cleaning agents such as cleaning sprays, solvents, alcohol-based or abrasive cleaners to dampen the cloth.

Cleaning

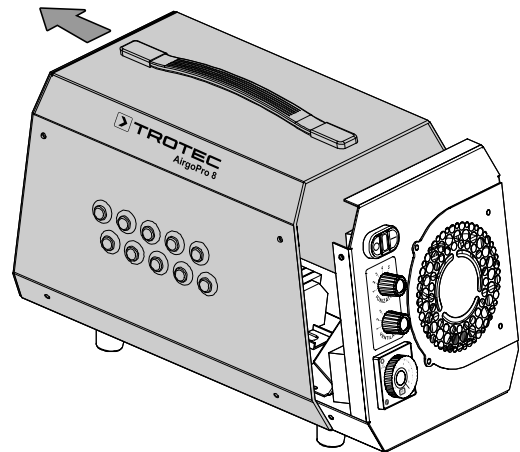
In addition to the inspection of the device and its components for proper condition you should also ensure thorough cleaning as part of the regular maintenance activities. To do so, please proceed as described below.

Air filter

1. Loosen the screws at the rear of the device.

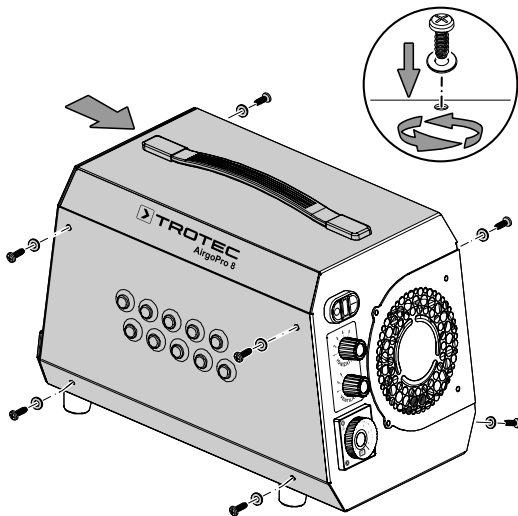


2. Remove the cover of the air filter.

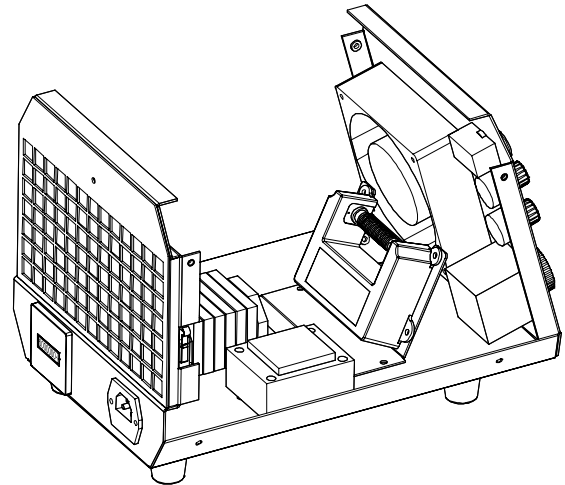


3. Remove the air filter.
4. Clean the air filter using soapsuds.
5. Insert the air filter into the device when it is dry.

- Put the cover of the air filter on the device and fasten it by means of the screws.

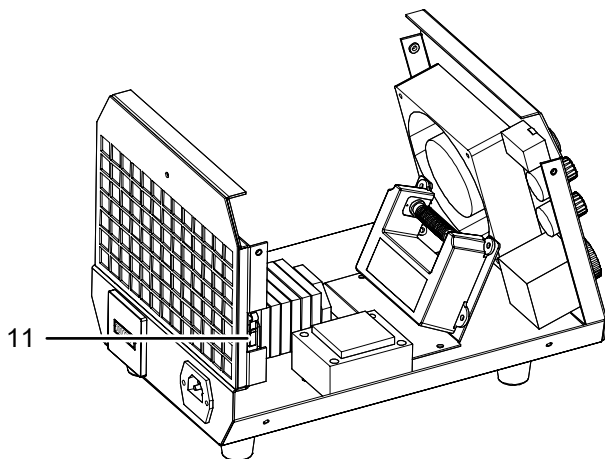


- Clean the electrode using a (lint-free) dry or damp cloth. Especially remove dust and other residues from the intermediate spaces. Make sure that no fluff or fibres remain after cleaning.
- Do not use the device before the electrode has dried completely.



Cleaning the interior

- Remove the screws at the housing.
- Clean the device with compressed air or a damp cloth. Do not use any solvent-containing or aggressive cleaning agents. Make sure that no water can enter or remain inside the housing.
- Make sure that the safety switch (11) is in the closed position, then mount the cover back on the device.



Cleaning the electrode

Note

Device damage due to missing electrode! Never operate the odour neutraliser without inserted electrode!

The electrode may be cleaned whilst built-in.

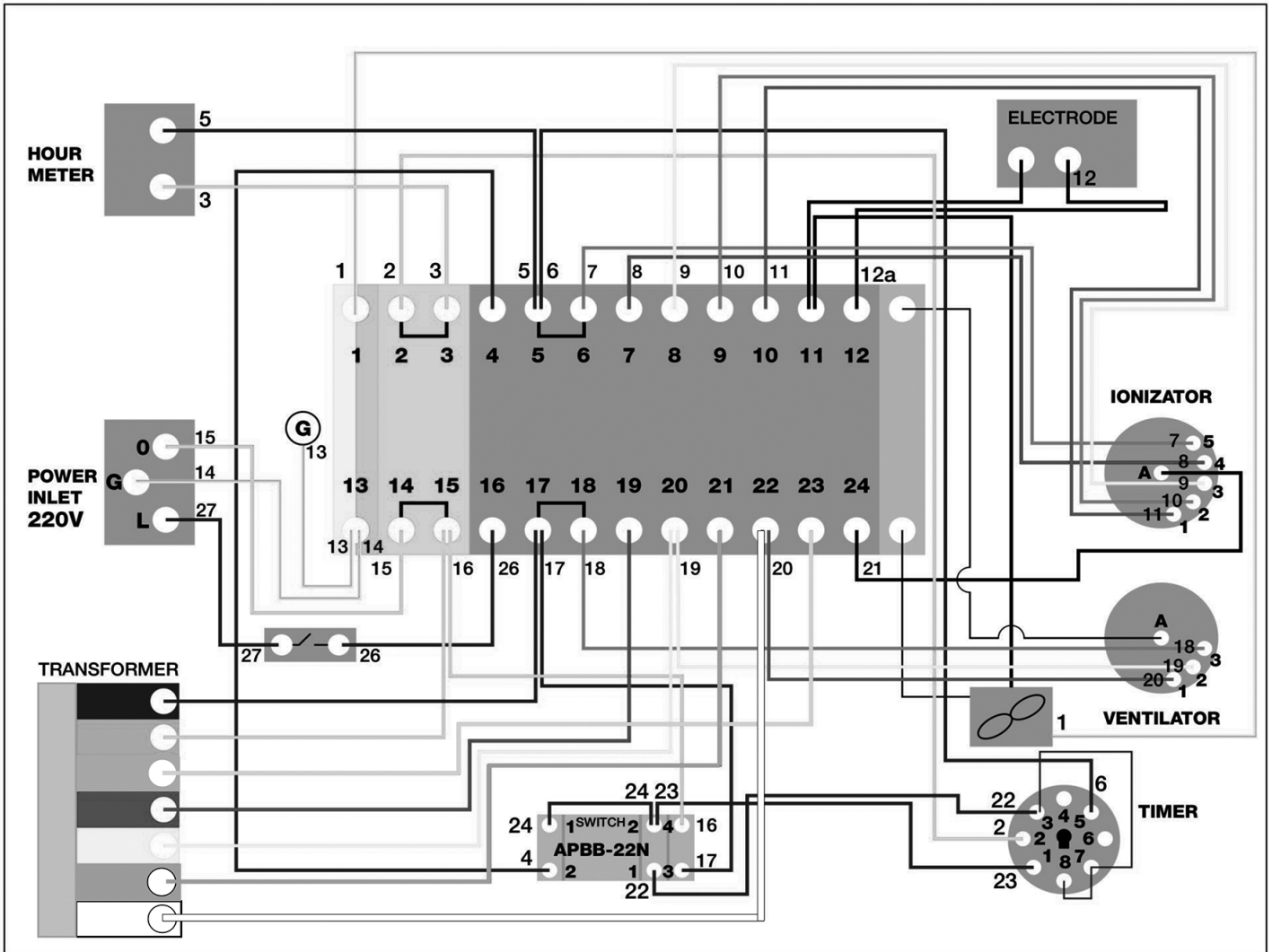
- Prior to cleaning check the electrode for cracks or breakage. Damaged components must not be used!

Technical annex

Technical data

Parameter	Value
Model	AirgoPro® 8
Article number	1.180.000.020
Electric connection	230 V
Frequency	50 Hz
Max. nominal current	0.1 A
Max. power input	20 W
Ozone output	120 m ³ /h
Air flow rate	120 m ³ /h
Dimensions (depth x width x height)	350 x 230 x 250 mm
Weight	4 kg
Minimum distance to walls and other objects:	
	top (A): 50 cm
	rear (B): 50 cm
	sides (C): 50 cm
	front (D): 50 cm

Circuit diagram

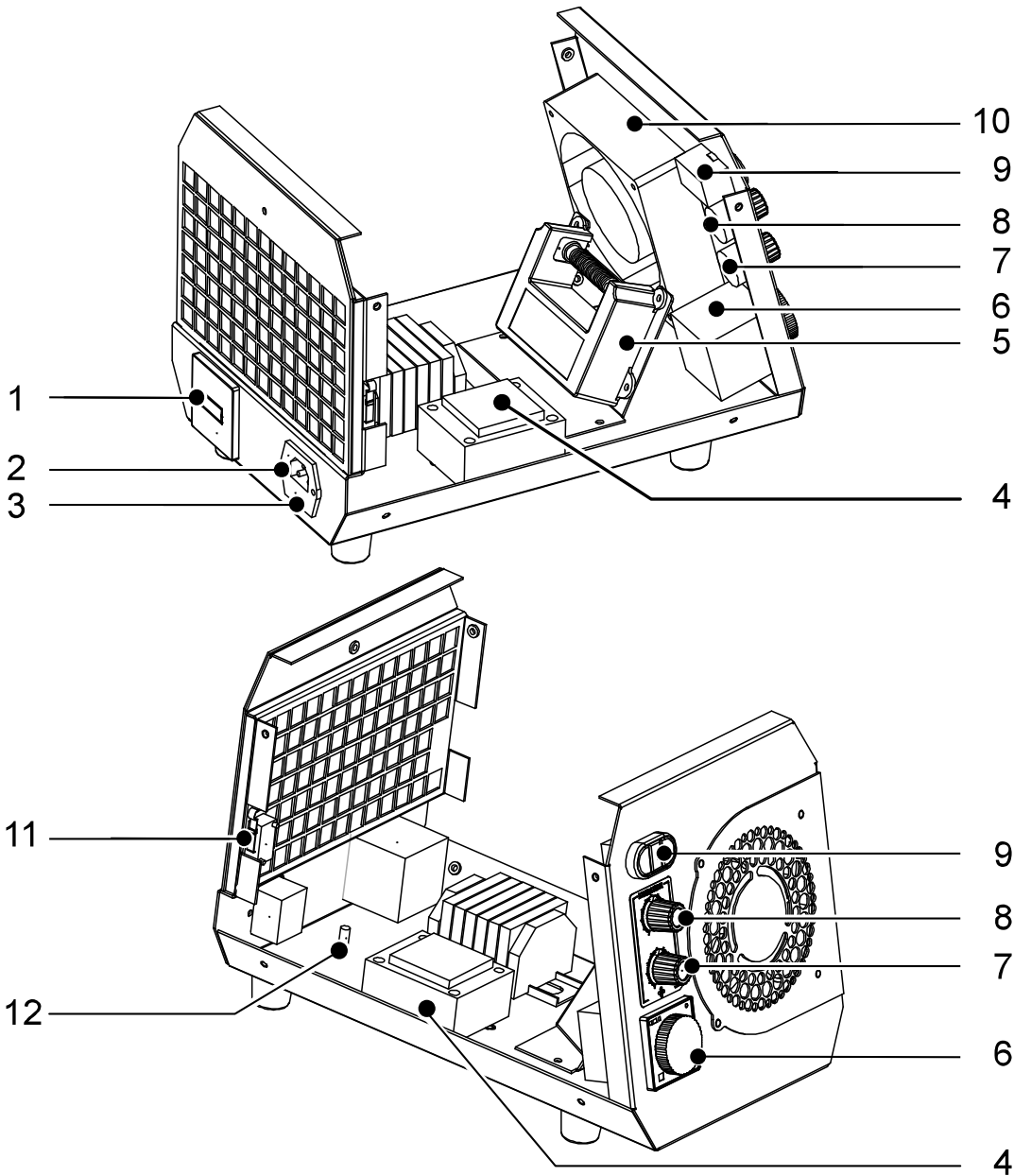


Exploded assembly drawing



Info

The position numbers of the spare parts differ from those describing the positions of the components mentioned in these instructions.



No.	Designation	No.	Designation
1	Operating hours counter	8	Intensity level controller
2	Connection plug incl. mains plug	9	On/off (mains) switch
3	Fuse 3.15 mA	10	Fan
4	Transformator	11	Microswitch
5	Electrode	12	Earthing bolt
6	Timer switch	not depicted	Air filter
7	Fan speed controller		

Disposal

Always dispose of packing materials in an environmentally friendly manner and in accordance with the applicable local disposal regulations.



The icon with the crossed-out waste bin on waste electrical or electronic equipment stipulates that this equipment must not be disposed of with the household waste at the end of its life. You will find collection points for free return of waste electrical and electronic equipment in your vicinity. The addresses can be obtained from your municipality or local administration. You can also find out about other return options that apply for many EU countries on the website <https://hub.trotec.com/?id=45090>. Otherwise, please contact an official recycling centre for electronic and electrical equipment authorised for your country.

The separate collection of waste electrical and electronic equipment aims to enable the re-use, recycling and other forms of recovery of waste equipment as well as to prevent negative effects for the environment and human health caused by the disposal of hazardous substances potentially contained in the equipment.

Only for United Kingdom

According to Waste Electrical and Electronic Equipment Regulations 2013 (2013/3113) devices that are no longer usable must be collected separately and disposed of in an environmentally friendly manner.

Trotec GmbH

Grebener Str. 7
D-52525 Heinsberg

☎ +49 2452 962-400

☎ +49 2452 962-200

✉ info@trotec.com

www.trotec.com