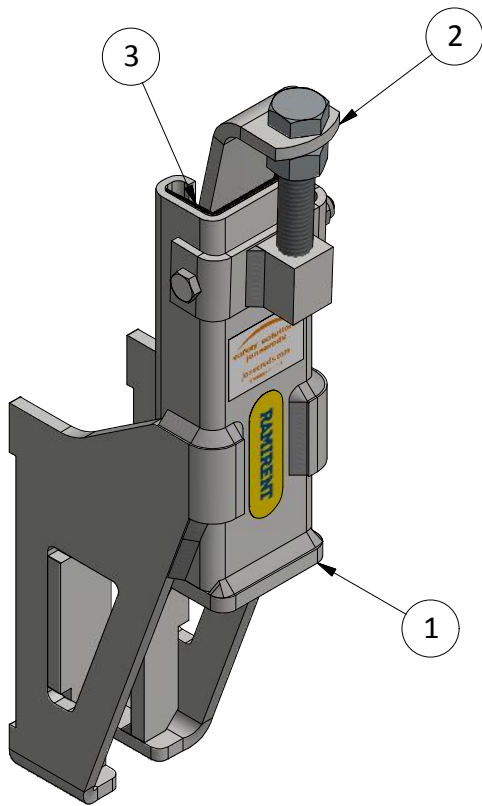


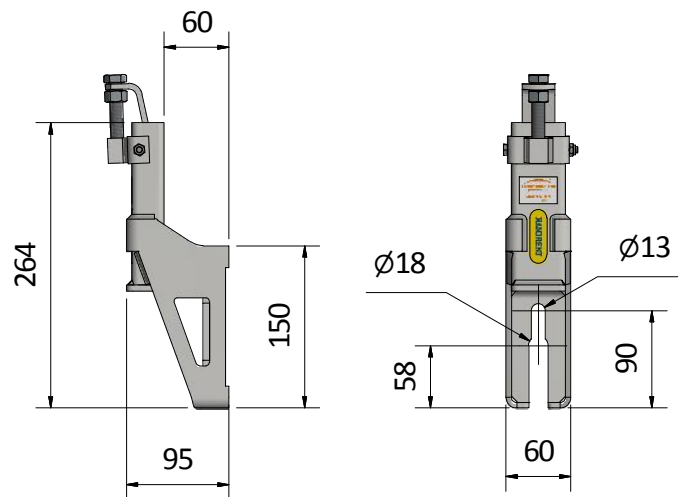
I-GUIDE STAIR ATTACHMENT



Art nr 9-720-06-008
Galvanized
1,9 kg
EN 13374-A

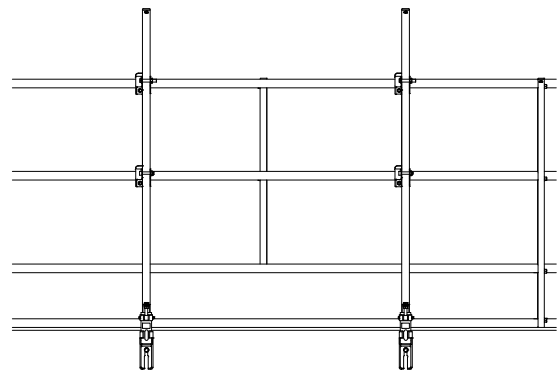
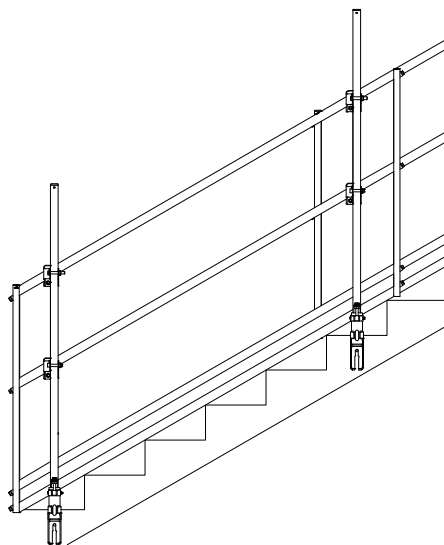
[mm]

ITEM	QTY	ART. NO
1	1	9-720-06-002
2	1	9-720-12-001
3	1	9-70-000034

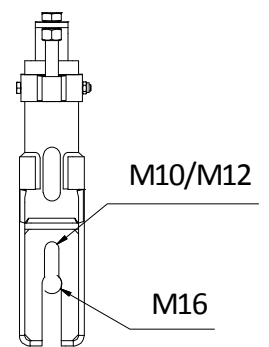
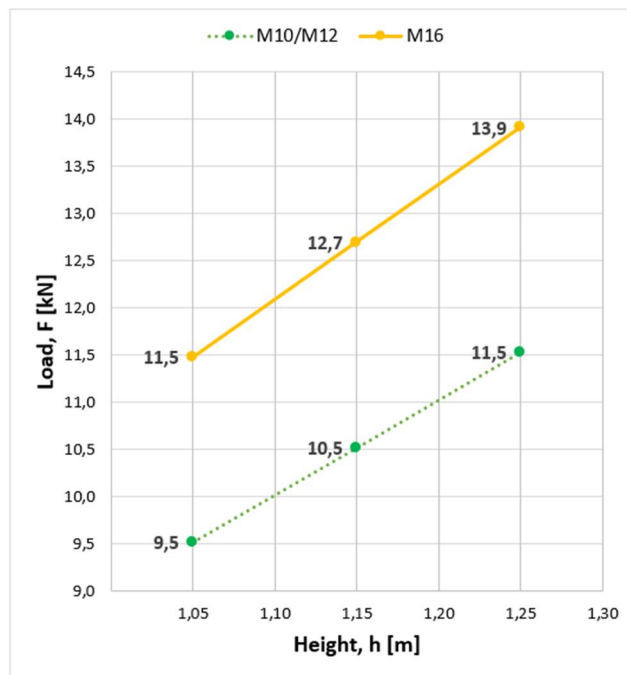
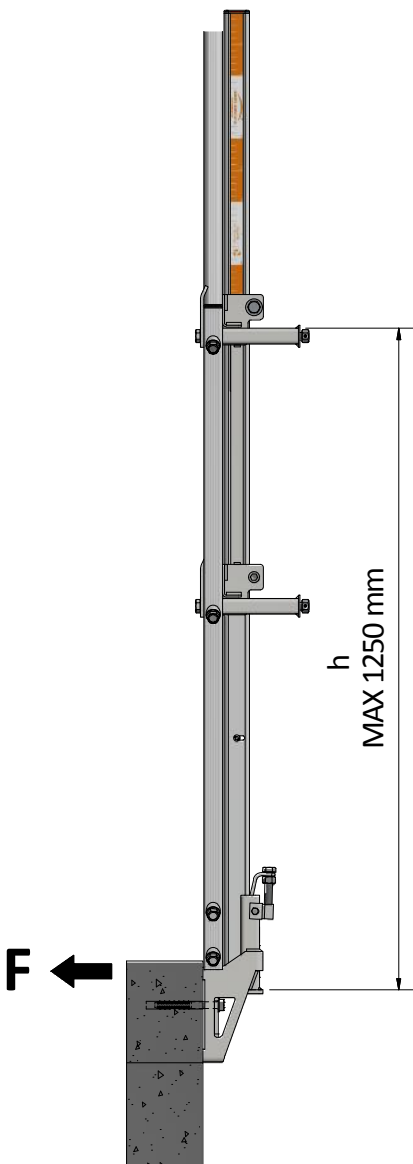
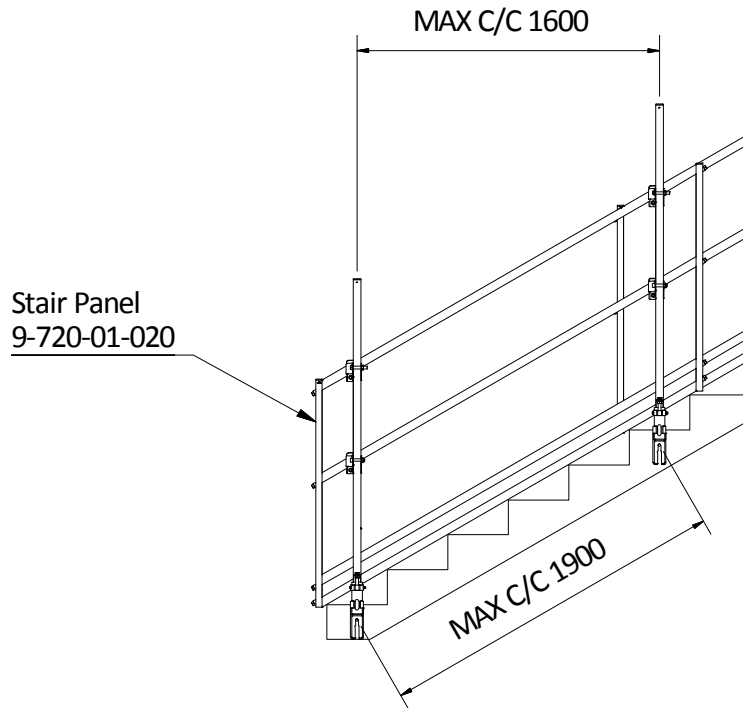


ALT 1 → PAGE 2

ALT 2 → PAGE 3



ALT 1



ALT 2

GuardLite Safety Panel R
9-720-01-001

