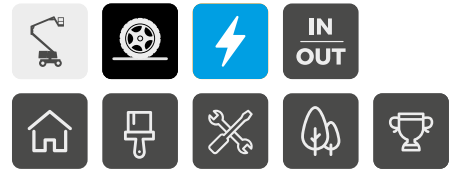


HA12 CJ / CJ+



EXCELLENT MANOEUVRABILITY IN THE TIGHTEST SPACES

- > Drive and turntable rotation
- > Tight turning radius
- > Zero tailswing
- > Compact stowed height passes through standard doorways
- > 1.20m width

OPTIMIZED PRODUCTIVITY

- > Proportional and simultaneous movements
- > Suitable for inside and outside use
- > Long working cycles

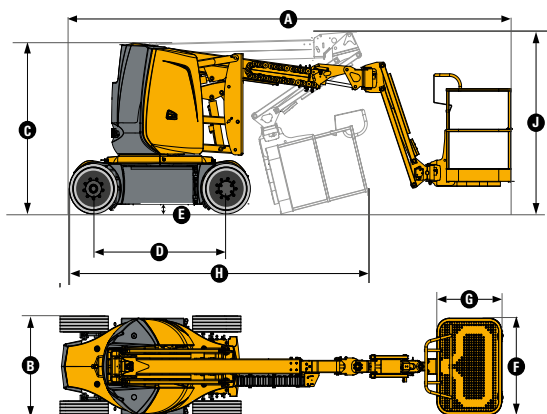


HA12 CJ / CJ+

ELECTRIC ARTICULATING BOOMS

TECHNICAL DATA

	HA12 CJ	HA12 CJ+
Working height	11.68 m	
Platform height	9.68 m	
Horizontal outreach	6.94 m	7.22 m
Up and over clearance	4.74 m	
Lift capacity	250 kg (2 pers.)	230 kg (2 pers.)
A Length	5.36 m	5.64 m
B Width	1.2 m	
C Height - stowed	1.99 m	
D Wheelbase	1.65 m	
E Ground clearance	10.7 cm	
F x G Platform size	1.14 x 0.8 m	
H Length - transport	3.86 m	4.2 m
J Height - transport	2.22 m	2.6 m
Tailswing	0 cm	
Horizontal jib rotation	N/A	180° [-90/+90]
Vertical jib rotation	132.2° [+63.5/-68.7]	
Platform rotation	180° [+90/-90]	
Turntable rotation	355 °	
Tilt	3°	
Proportional drive speed	0.68 - 6 km/h	
Maximum wind speed rating	45 km/h	
Gradeability	25 %	
Turning radius - outside	3.65 m	
Tyres - non marking	598x190	
Energy	48 V - 320 Ah (C5)	
Weight	7 065 kg	7 110 kg



STANDARD EQUIPMENT

- > 2 wheel drive
- > 2 wheel steer
- > Solid non-marking tyres
- > Ergonomic control panels
- > Mechanical turret slewing lock
- > Automatic platform levelling
- > Load Management System in the platform
- > Tilt sensor
- > Horn
- > Hourmeter
- > Emergency hand pump
- > On board battery charger 48V - 50A
- > Deep cycle batteries
- > Battery charge indicators on both control panels
- > Towing hooks and lifting eyes

OPTIONS AND ACCESSORIES

- > Electric socket in the platform
- > Air line to platform
- > Self-closing swing door
- > Circuit-breaker
- > Traction batteries
- > Fluorescent tube caddy
- > Telematics ready
- > Orange safety cones holder
- > Flashing light
- > Working light

