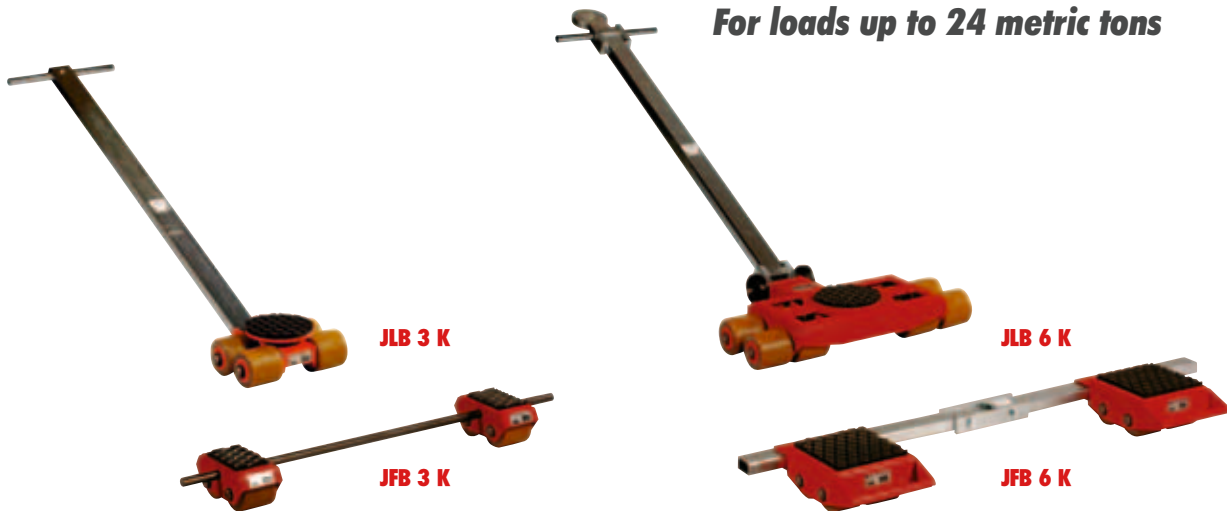



Transport trolleys K-series

For loads up to 24 metric tons



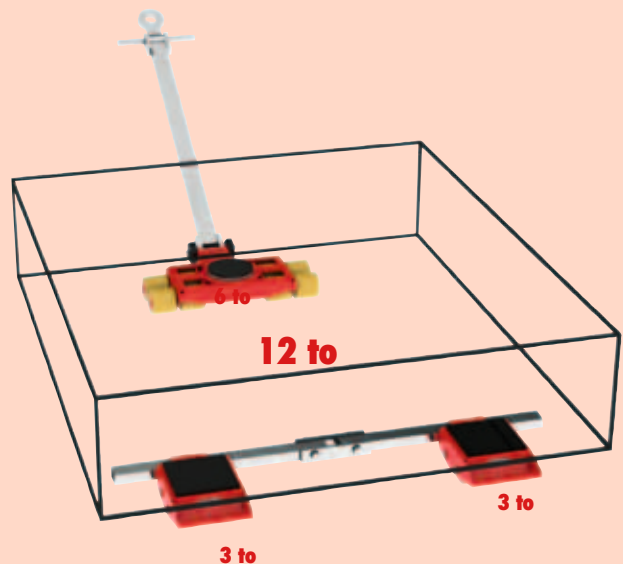
Available with:	Available with:
JUWAthan®plus coated aluminium castor	Steel castor
	
	
for any floors Order number 95 050 057-V	for not sensitive floors Order number 95 050 043-S

Please refer to page 28-29 for additional roller information.



Castors with ball bearings guarantee easy movement

Example for load distribution on 12 tons trolley combination:



Load weight up to

Type	Sketch	6 metric tons		12 metric tons	
		JLB 3 K	JFB 3 K	JLB 6 K	JFB 6 K
Load capacity	kg/lbs	3 000 / 6 600	3 000 / 6 600	6 000 / 13 200	6 000 / 13 200
Number of castors	pcs	4	4	8	8
Castors dimensions	Ø x l	mm / in	85 x 85 / 3.3 x 3.3"	85 x 85 / 3.3 x 3.3"	85 x 85 / 3.3 x 3.3"
Fitting height	mm / in	110	4.3"	110 / 4.3"	110 / 4.3"
Supporting surface per cassette	Ex F	mm / in	120 x 80 / 4.7 x 3.1"		175 x 170 / 6.9 x 6.7"
Cassette dimensions	L x B x H	mm / in	190 x 125 / 7.5 x 4.9"		325 x 200 / 12.8 x 7.9"
Connecting rod with joint	Length	mm / in	1 000** / 39.4"		1 230 / 48.4"
Cassettes adjustable from - to	G - H	mm / in	125 - 880 / 4.9 - 34.6"		400 - 1 030 / 15.7 - 40.6"
Supporting surface of turnable	Ø C	mm / in	150 / 5.9"		150 / 5.9"
Dimensions	L x B x H	mm / in	225 x 280 / 8.9 x 11"		445 x 590 / 17.5 x 23.2"
Handlebar with pulling eye	Length	mm / in	990* / 39"		1 120 / 44.1"
Weight JUWAthan plus	kg / lbs	12 / 26	11 / 24	33 / 72	25 / 55
Order number with JUWAthan plus		07 031 085-V	08 031 085-V	07 061 085-V	08 061 085-V

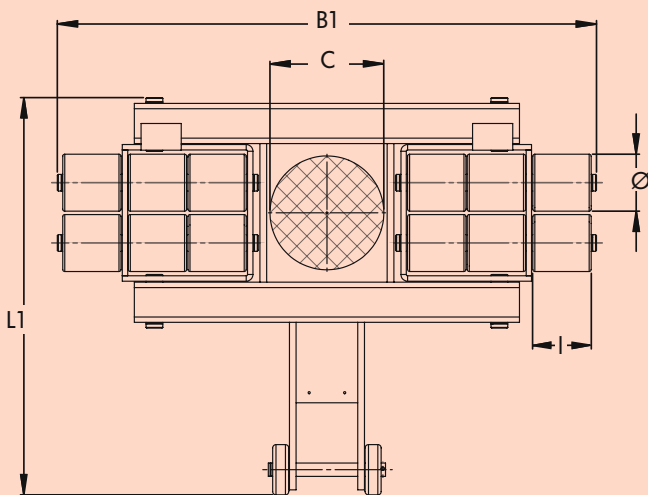
*JLB 3 K steering bar without pulling eye — **JFB 3 K without joint

Transport trolleys K-series

For loads up to 24 metric tons

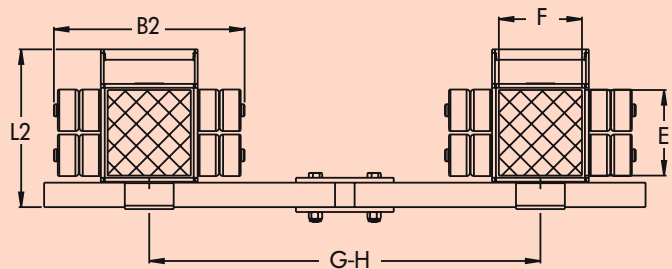


Sketch



Advantages in detail

- Galvanized axles and safety clip rings for improved protection against corrosion.
- Outfitted with highest quality rollers as standard.
- Reduced weight through advanced construction of load cassettes.
- All transport trolleys are ready for use: The steerable transport trolley is fitted with a ball bearing supported turntable and a handlebar (as shown in picture). The adjustable-width transport trolley consists of two transport units and connecting rod.



Load weight up to

			18 metric tons		24 metric tons	
Type	Sketch		JL 9 K	JFB 9 K	JL 12 K	JFB 12 K
Load capacity		kg / lbs	9 000 / 19 800	9 000 / 19 800	12 000 / 26 400	12 000 / 26 400
Number of castors		pcs	12	12	16	16
Castors dimensions	$\varnothing \times l$	mm / in	85 x 85 / 3.3 x 3.3"	85 x 85 / 3.3 x 3.3"	85 x 85 / 3.3 x 3.3"	85 x 85 / 3.3 x 3.3"
Fitting height		mm / in	110 / 4.3"	110 / 4.3"	110 / 4.3"	110 / 4.3"
Supporting surface per cassette	E x F	mm / in		175 x 170 / 6.9 x 6.7		175 x 170 / 6.9 x 6.7
Cassette dimensions	L 2 x B 2	mm / in		325 x 390 / 12.8 x 15.4		325 x 390 / 12.8 x 15.4
Connecting rod with joint	Length	mm / in		1 230 / 48.4"		1 230 / 48.4"
Cassettes adjustable from - to	G - H	mm / in		400 - 1 030 / 15.7 - 40.6"		400 - 1 030 / 15.7 - 40.6"
Supporting surface of turntable	$\varnothing C$	mm / in	170 / 6.7"		170 / 6.7"	
Dimensions	L 1 x B 1	mm / in	580 x 820 / 22.8 x 32.3"		580 x 1000 / 22.8 x 39.3"	
Handlebar with pulling eye	Length	mm / in	1 120 / 44.1"		1 120 / 44.1"	
Weight JUWAtan plus		kg / lbs	54 / 119	32 / 70	64 / 141	35 / 77
Order number with JUWAtan plus			07 090 085-V	08 091 085-V	07 120 085-V	08 121 085-V