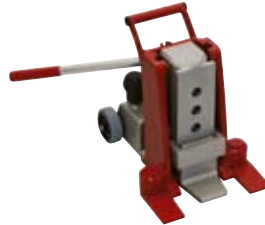


Jack series JH-G plus

Load capacity up to 20 metric tons



JH 5 G plus

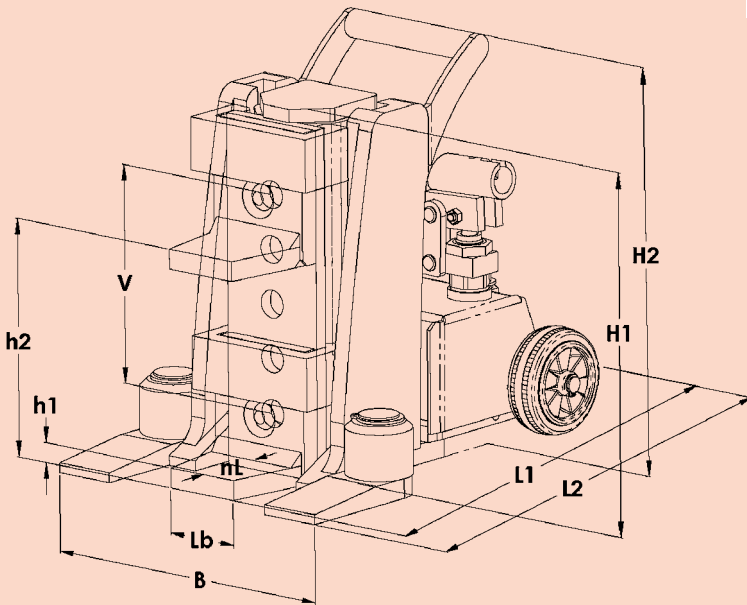


JH 10 G plus



JH 10 G plus ku

Sketch



Advantages in detail



- Reduced friction through slide shoes that are mobile in their seats. Under application a larger contact surface guarantees better force distribution. The resulting advantages are less friction, more power and reduced wear of the lifting track than with conventional jacks (see picture 1 page 6).
- Reduced maintenance costs through easy to change slide shoes and exchangeable pump unit.
- Extremely lightweight with high performance through the use of high-quality material and innovative design changes.
- Continual adjustment to the load through swivelling safety toe. Secure stability in every situation even in lifted position (see picture 2 page 6).
- **JH 10 G plus ku** outfitted with dual side handles for positioning.
- Standard carrying handle for **JH 10 G plus ku** available as optional accessory (Sparepart no. 91 106 260-B).

Type	Sketch		JH 5 G plus	JH 10 G plus	JH10 G plus ku
Full load capacity*		kg / lbs	5 500 / 12 000	10 000 / 22 000	10 000 / 22 000
Stroke		mm / in	140 / 5.5"	150 / 5.9"	108 / 4.3"
Minimum lift toe height	h 1	mm / in	12 / 0.5"	15 / 0.6"	15 / 0.6"
Maximum lift toe height	h 2	mm / in	157 / 6.2"	180 / 7.1"	138 / 5.4"
Lift toe adjustment	V	mm / in	6 x 29 / 1.1"	5 x 41 / 1.6"	4 x 41 / 1.6"
Top plate height	H 1	mm / in	245 / 9.6"	275 / 10.8"	235 / 9.3"
Toe width front	Lb	mm / in	50 / 2.0"	60 / 2.4"	60 / 2.4"
Toe depth	nL	mm / in	50 / 2.0"	55 / 2.2"	55 / 2.2"
Length feet in front	L2	mm / in	326 / 12.8"	346 / 13.6"	346 / 13.6"
Length feet on side	L1	mm / in	311 / 12.2"	330 / 13"	330 / 13"
Width	B	mm / in	233 / 9.2"	247 / 9.7"	247 / 9.7"
Height	H2	mm / in	280 / 11"	310 / 12.2"	235 / 9.3"
Cylinder volume		L / in ³	0,18 / 11.5"	0,3 / 19.6"	0,21 / 12.82"
Weight		kg / lbs	23 / 50.7	29 / 63.9	26 / 57.3
Order number			01 050 052-G	01 100 102-G	01 100 103-G plus ku

*load on top plate

Jack series JH-G plus

Load capacity up to 20 metric tons



JH 15 G plus



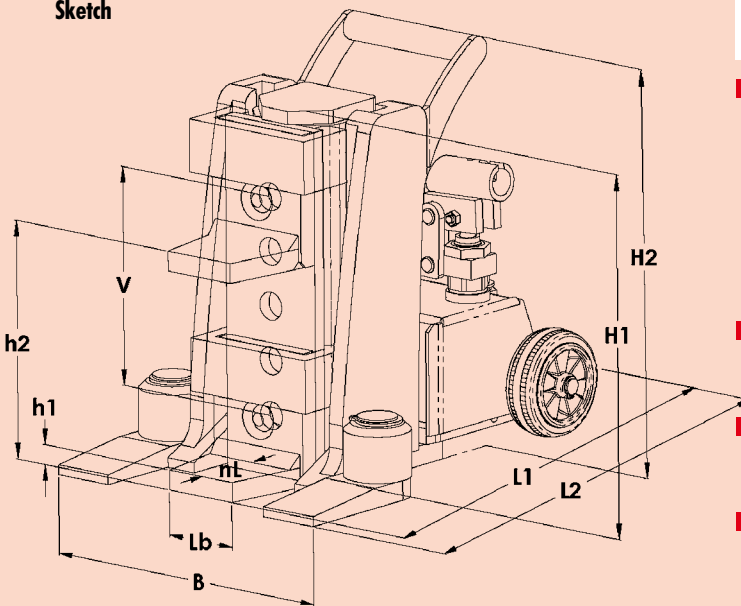
JH 20 G plus

Per request, all jacks available without internal hydraulic pumping unit for exclusive use with external pump.



JH EX

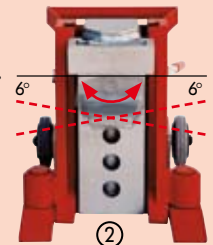
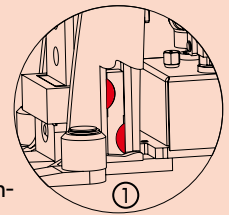
Sketch



Advantages in detail



- Reduced friction through slide shoes that are mobile in their seats. Under application a larger contact surface guarantees better force distribution. The resulting advantages are less friction, more power and reduced wear of the lifting track than with conventional jacks (see picture 1).
- Reduced maintenance costs through easy to change slide shoes and exchangeable pump unit.
- Extremely lightweight with high performance through the use of high-quality material and innovative design changes.
- Continual adjustment to the load through swivelling safety toe. Secure stableness in every situation even in lifted position (see picture 2).



Type	Sketch		JH 15 G plus	JH 20 G plus
Full load capacity*		kg / lbs	15 000 / 33 000	20 000 / 44 000
Stroke		mm / in	175 / 6.9"	190 / 7.5"
Minimum lift toe height	h 1	mm / in	20 / 0.8"	20 / 0.8"
Maximum lift toe height	h 2	mm / in	205 / 8.1"	225 / 8.9"
Lift toe adjustment	V	mm / in	5 x 46 / 1.8"	5 x 51 / 2"
Top plate height	H 1	mm / in	310 / 12.2"	340 / 13.4"
Toe width front	Lb	mm / in	70 / 2.8"	80 / 3.1"
Toe depth	nL	mm / in	70 / 2.8"	66 / 2.6"
Length feet in front	L2	mm / in	410 / 15.8"	425 / 16.7"
Length feet on side	L1	mm / in	401 / 15.8"	405 / 15.9"
Width	B	mm / in	322 / 12.7"	322 / 12.7"
Height	H2	mm / in	310 / 12.2"	340 / 13.4"
Cylinder volume		L/in ³	0,5 / 30.2"	0,73 / 44.6"
Weight		kg / lbs	48 / 105.8	60 / 132.3
Order number			01 150 102-G	01 200 102-G

*load on top plate