

Satema AB
 MTA 630kVA
 400/1000V
 SU2319005
 Kiosk 1

	0	1	2	3	4	5	6	7	8	9	
A											A
B											B
C											C
D											D
E											E
F											F

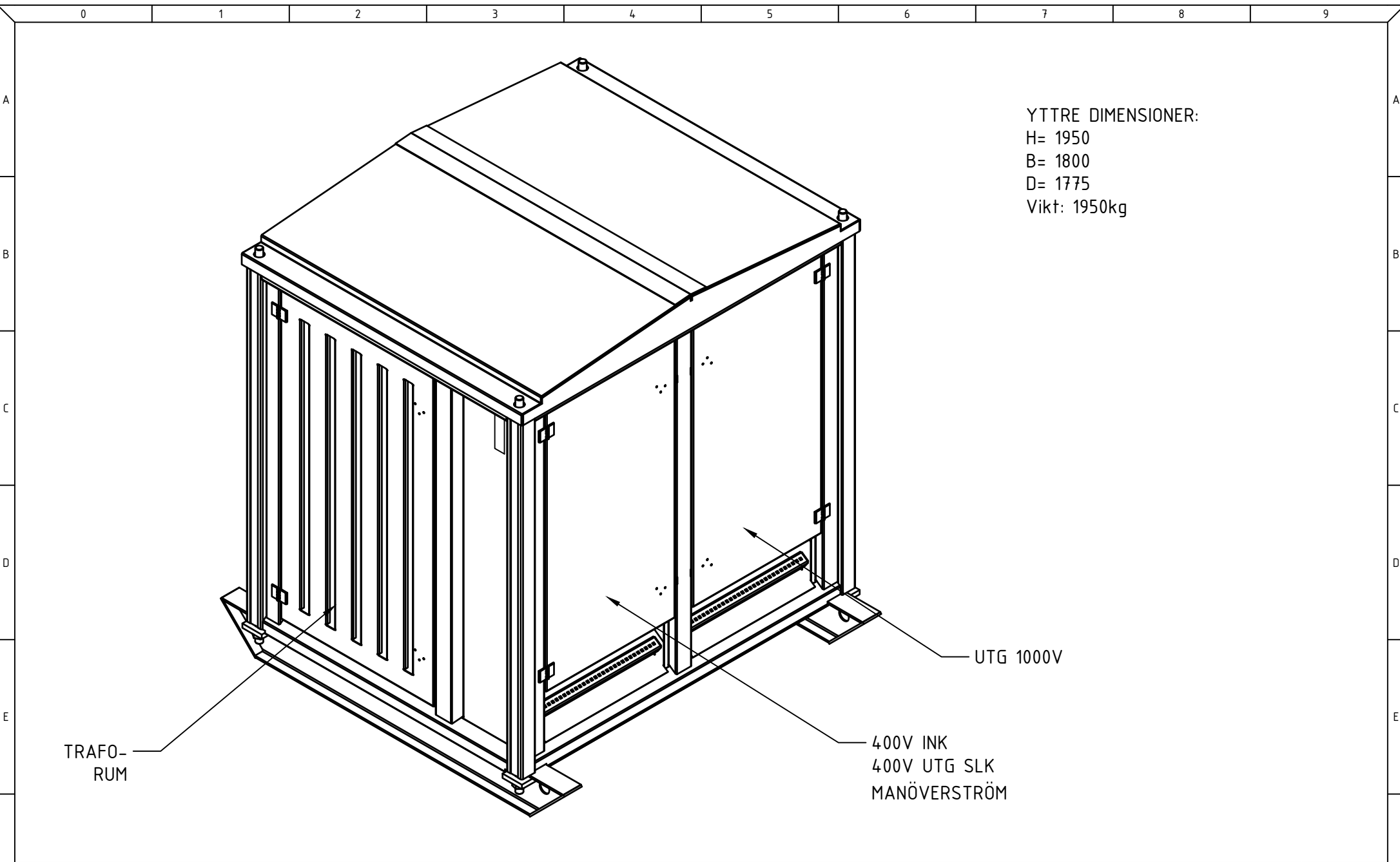
REV.	DESCRIPTION	SIGN.	DATE
A	Til Produksjon	NH	24.05.2023



SATEMA
 PROFESJONELL STRØMFORSYNING
 www.satema.no Tlf: 62 33 44 30

DESIGNED BY: NH	Satema AB MTA 630kVA Kiosk 1 400/1000V Forside
DRAWN BY: NH	
APPROVED BY:	

PROJECT NUMBER: -	SHEET: 1 / 7 N.SHEET: 2
DRAWING NUMBER: SU2319005	REV: DATE: 24.05.2023



YTTRE DIMENSIONER:

H= 1950

B= 1800

D= 1775

Vikt: 1950kg

TRAFO-
RUM

UTG 1000V

400V INK
400V UTG SLK
MANÖVERSTRÖM

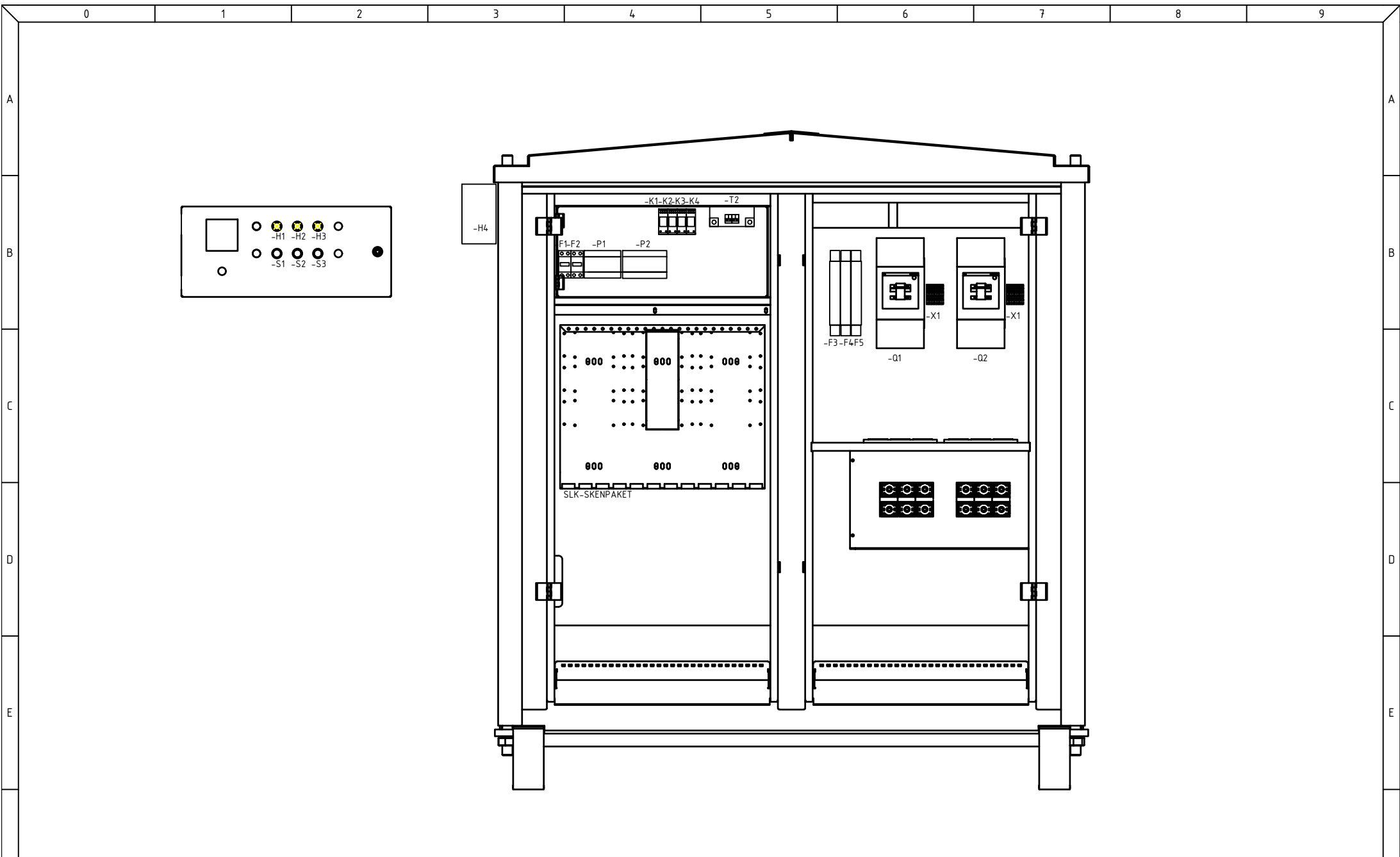
A	Til Produksjon	NH	24.05.2023
REV.	DESCRIPTION	SIGN.	DATE

SATEMA
PROFESJONELL STRØMFORSYNING
www.safema.no Tlf: 62 33 44 30

DESIGNED BY:
NH
DRAWN BY:
NH
APPROVED BY:

Safema AB
MTA 630kVA
Kiosk 1
400/1000V
Arrangement

PROJECT NUMBER:	-	SHEET:	2 / 7
DRAWING NUMBER:	SU2319005	N.SHEET:	3
		REV:	
		DATE:	24.05.2023



REV.	DESCRIPTION	SIGN.	DATE
A	Til Produksjon	NH	24.05.2023



SATEMA

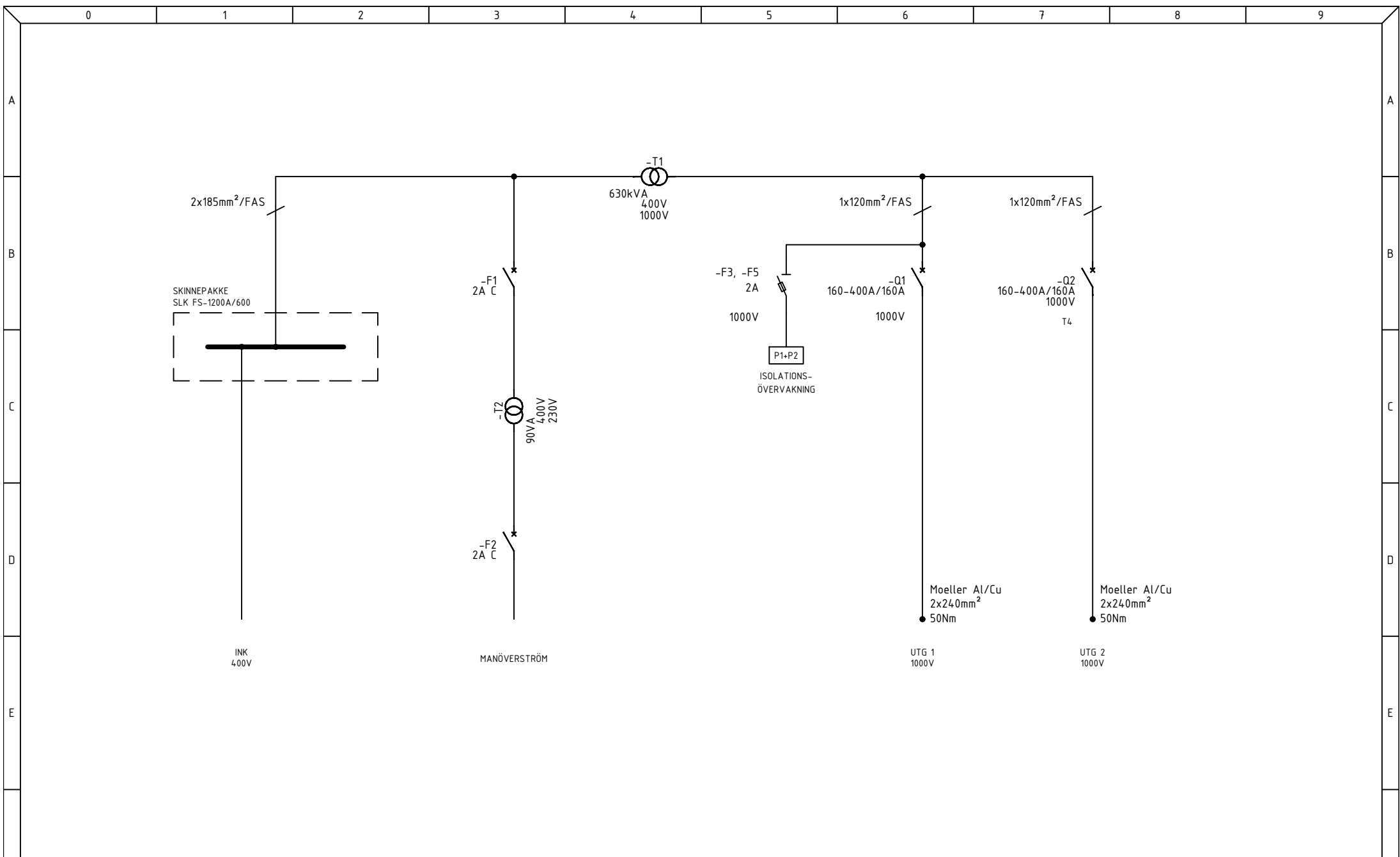
 PROFESJONELL STRØMFORSYNING

www.safema.no
 Tlf: 62 33 44 30

DESIGNED BY:	NH
DRAWN BY:	NH
APPROVED BY:	

Safema AB
 MTA 630kVA
 Kiosk 1
 400/1000V
 Arrangement

PROJECT NUMBER:	-	SHEET:	3 / 7
DRAWING NUMBER:	SU2319005	N.SHEET:	4
		REV:	
		DATE:	24.05.2023



REV.	DESCRIPTION	SIGN.	DATE
A	Til Produksjon	NH	24.05.2023



PROFESJONELL STRØMFORSYNING

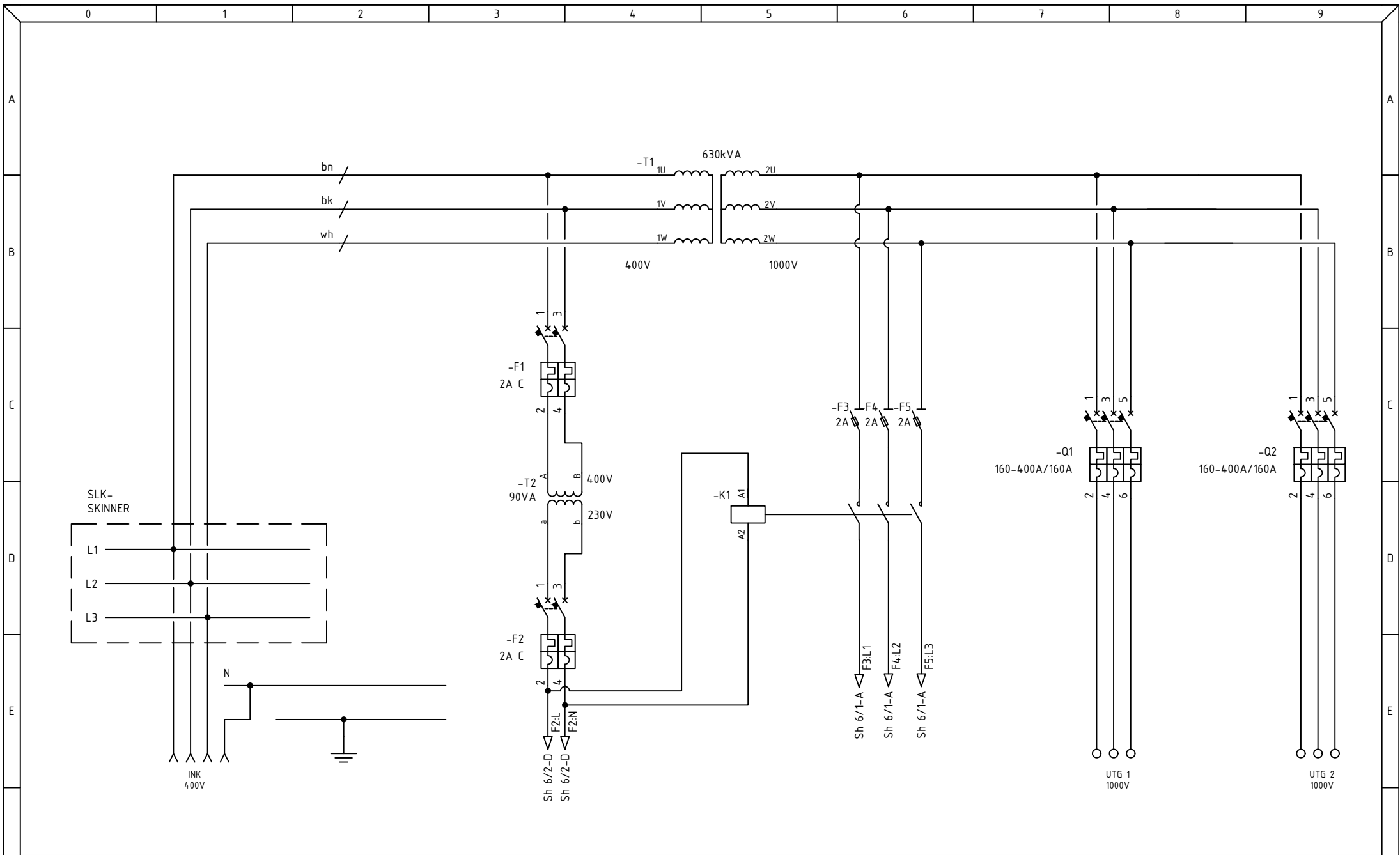
www.safema.no

 Tlf: 62 33 44 30

DESIGNED BY: NH
 DRAWN BY: NH
 APPROVED BY:

Satema AB
 MTA 630kVA
 Kiosk 1
 400/1000V
 Enlinjeskjema

PROJECT NUMBER:	SHEET: 4 / 7
DRAWING NUMBER:	N.SHEET:
SU2319005	REV:
	DATE: 24.05.2023



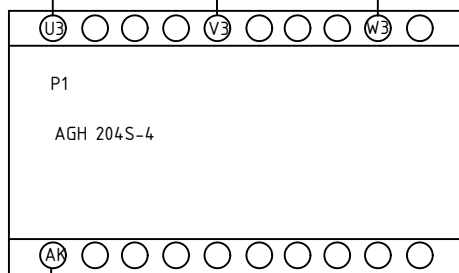
REV.	DESCRIPTION	SIGN.	DATE
A	Til Produksjon	NH	24.05.2023

SATEMA
 PROFESJONELL STRØMFORSYNING
 www.safema.no Tlf: 62 33 44 30

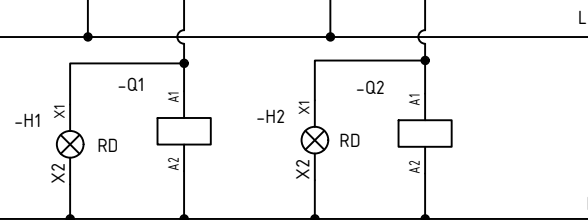
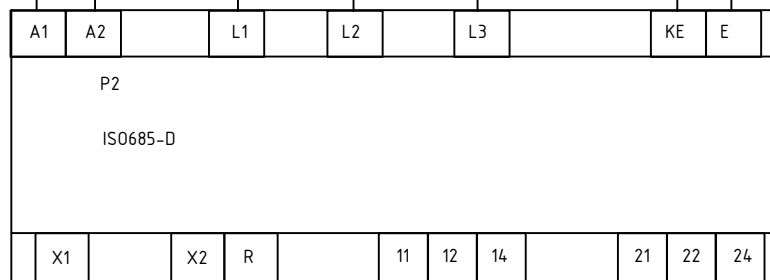
DESIGNED BY: NH
 DRAWN BY: NH
 APPROVED BY:
 Safema AB
 MTA 630kVA
 Kiosk 1
 400/1000V
 Hovedstrøm

PROJECT NUMBER:	SHEET: 5 / 7
DRAWING NUMBER:	N.SHEET:
SU2319005	REV:
	DATE: 24.05.2023

Sh 5/6-E F3:L1
 Sh 5/6-E F4:L2
 Sh 5/6-E F5:L3



Sh 5/3-E F2:L
 Sh 5/3-E F2:N



DESIGNED BY:
NH
 DRAWN BY:
NH
 APPROVED BY:

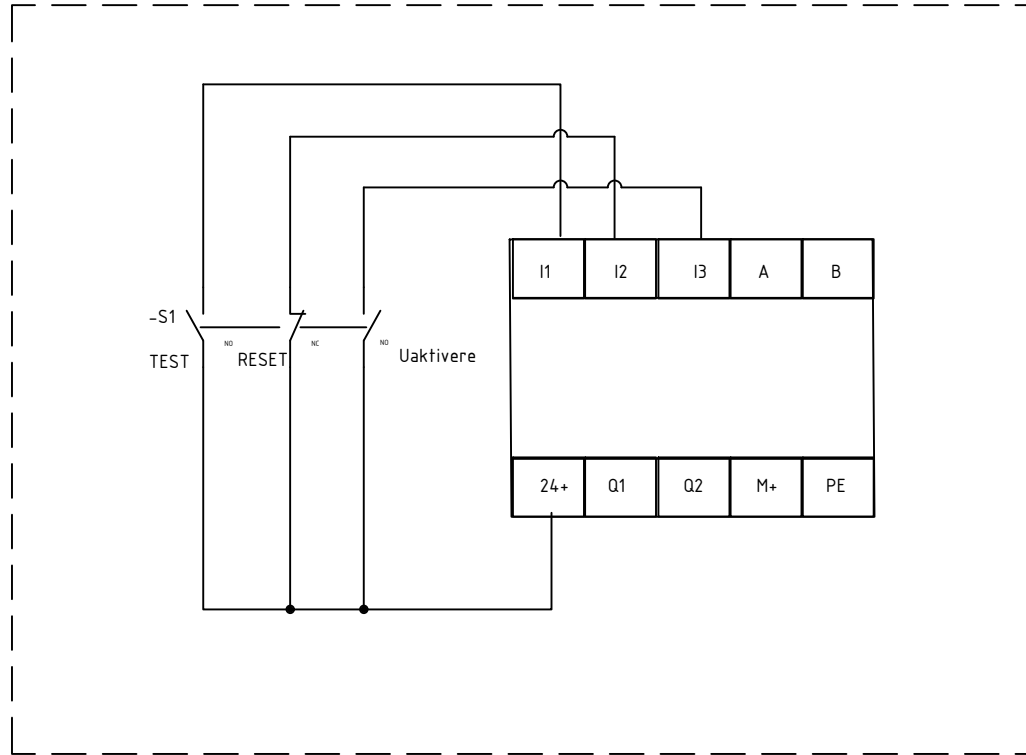
Safema AB
 MTA 630kVA
 Kiosk 1
 400/1000V
 Hovedstrøm

PROJECT NUMBER:
-
 DRAWING NUMBER:
SU2319005

SHEET: 6 / 7
 N.SHEET:
 REV:
 DATE: 24.05.2023

REV.	DESCRIPTION	SIGN.	DATE
A	Til Produksjon	NH	24.05.2023

X1



REV.	DESCRIPTION	SIGN.	DATE
A	Til Produksjon	NH	24.05.2023



SATEMA

 PROFESJONELL STRØMFORSYNING

www.safema.no

DESIGNED BY:
 NH
 DRAWN BY:
 NH
 APPROVED BY:

Safema AB
 MTA 630kVA
 Kiosk 1
 400/1000V
 Styrestrøm

PROJECT NUMBER:
 -
 DRAWING NUMBER:
 SU2319005

SHEET: 7 / 7
 N.SHEET:
 REV:
 DATE:
 24.05.2023