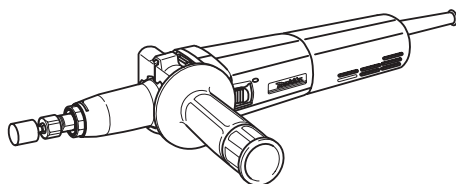




EN	Die Grinder	INSTRUCTION MANUAL	3
SV	Slipstiftmaskin	BRUKSANVISNING	7
NO	Rettsliper	BRUKSANVISNING	11
FI	Painehiomakone	KÄYTTÖOHJE	15
LV	Spiednes slīpmašīna	LIETOŠANAS INSTRUKCIJA	19
LT	Šlifuoכלis	NAUDOJIMO INSTRUKCIJA	23
ET	Lihvmasin	KASUTUSJUHEND	27
RU	Прямая Шлифмашина	РУКОВОДСТВО ПО ЭКСПЛУАТАЦИИ	31

GD0800C
GD0810C



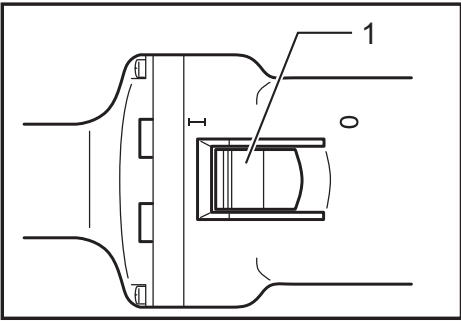


Fig.1

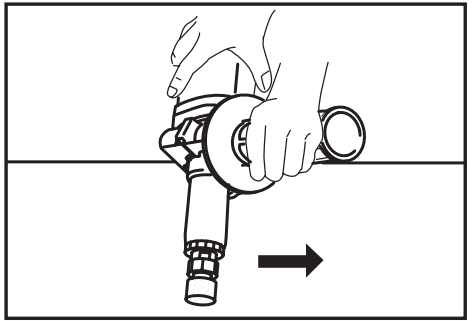


Fig.5

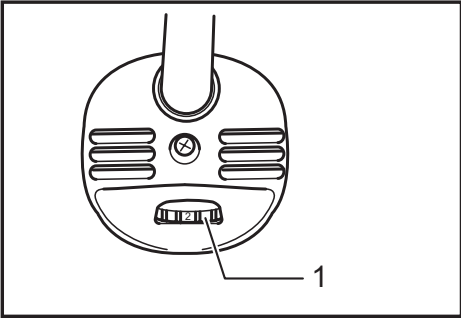


Fig.2

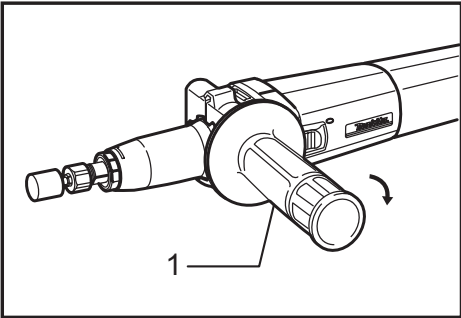


Fig.3

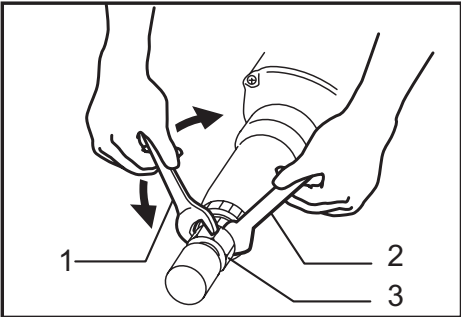


Fig.4

SPECIFICATIONS

Model		GD0800C	GD0810C
Collet size		8 mm max.	8 mm max.
Max. wheel point size	Max. wheel diameter	25 mm	50 mm
	Max. mandrel (shank) length	46 mm	46 mm
Rated speed (n) / No load speed (n ₀)		28,000 (min ⁻¹)	7,000 (min ⁻¹)
Overall length		371 mm	371 mm
Net weight		1.7 kg	1.7 kg
Safety class		□/II	

- Due to our continuing program of research and development, the specifications herein are subject to change without notice.
- Specifications may differ from country to country.
- Weight according to EPTA-Procedure 01/2003

Intended use

The tool is intended for grinding ferrous materials or deburring castings.

Power supply

The tool should be connected only to a power supply of the same voltage as indicated on the nameplate, and can only be operated on single-phase AC supply. They are double-insulated and can, therefore, also be used from sockets without earth wire.

Noise

The typical A-weighted noise level determined according to EN60745:

Model GD0800C

Sound pressure level (L_{pA}) : 78 dB(A)

Uncertainty (K) : 3 dB(A)

The noise level under working may exceed 80 dB (A).

Model GD0810C

Sound pressure level (L_{pA}) : 77 dB(A)

Uncertainty (K) : 3 dB(A)

The noise level under working may exceed 80 dB (A).

Wear ear protection

Vibration

The vibration total value (tri-axial vector sum) determined according to EN60745:

Model GD0800C

Work mode : surface grinding

Vibration emission (a_h) : 4.5 m/s²

Uncertainty (K) : 1.5 m/s²

Model GD0810C

Work mode : surface grinding

Vibration emission (a_h) : 2.5 m/s² or less

Uncertainty (K) : 1.5 m/s²

NOTE: The declared vibration emission value has been measured in accordance with the standard test method and may be used for comparing one tool with another.

NOTE: The declared vibration emission value may also be used in a preliminary assessment of exposure.

⚠WARNING: The vibration emission during actual use of the power tool can differ from the declared emission value depending on the ways in which the tool is used.

⚠WARNING: Be sure to identify safety measures to protect the operator that are based on an estimation of exposure in the actual conditions of use (taking account of all parts of the operating cycle such as the times when the tool is switched off and when it is running idle in addition to the trigger time).

For European countries only

EC Declaration of Conformity

Makita declares that the following Machine(s):

Designation of Machine:

Die Grinder

Model No./ Type: GD0800C, GD0810C

Conforms to the following European Directives:

2006/42/EC

They are manufactured in accordance with the following standard or standardized documents:

EN60745

The technical file in accordance with 2006/42/EC is available from:

Makita, Jan-Baptist Vinkstraat 2, 3070, Belgium

28.2.2015



Yasushi Fukaya

Director

Makita, Jan-Baptist Vinkstraat 2, 3070, Belgium

General Power Tool Safety Warnings

⚠️WARNING Read all safety warnings and all instructions. Failure to follow the warnings and instructions may result in electric shock, fire and/or serious injury.

Save all warnings and instructions for future reference.

DIE GRINDER SAFETY WARNINGS

Safety Warnings Common for Grinding Operation:

- 1. This power tool is intended to function as a grinder. Read all safety warnings, instructions, illustrations and specifications provided with this power tool.** Failure to follow all instructions listed below may result in electric shock, fire and/or serious injury.
- 2. Operations such as sanding, wire brushing, polishing or cutting-off are not recommended to be performed with this power tool.** Operations for which the power tool was not designed may create a hazard and cause personal injury.
- 3. Do not use accessories which are not specifically designed and recommended by the tool manufacturer.** Just because the accessory can be attached to your power tool, it does not assure safe operation.
- 4. The rated speed of the accessory must be at least equal to the maximum speed marked on the power tool.** Accessories running faster than their rated speed can break and fly apart.
- 5. The outside diameter and the thickness of your accessory must be within the capacity rating of your power tool.** Incorrectly sized accessories cannot be adequately controlled.
- 6. The arbour size of accessories must properly fit the collet of the power tool.** Accessories that do not match the mounting hardware of the power tool will run out of balance, vibrate excessively and may cause loss of control.
- 7. Mandrel mounted accessories must be fully inserted into the collet or chuck.** If the mandrel is insufficiently held and/or the overhang of the wheel is too long, the mounted accessory may become loose and be ejected at high velocity.
- 8. Do not use a damaged accessory. Before each use inspect the accessory such as abrasive wheels for chips and cracks. If power tool or accessory is dropped, inspect for damage or install an undamaged accessory. After inspecting and installing an accessory, position yourself and bystanders away from the plane of the rotating accessory and run the power tool at maximum no-load speed for one minute.** Damaged accessories will normally break apart during this test time.
- 9. Wear personal protective equipment. Depending on application, use face shield, safety goggles or safety glasses. As appropriate, wear dust mask, hearing protectors, gloves and workshop apron capable of stopping small abrasive or workpiece fragments.** The eye protection must be capable of stopping flying debris generated by various operations. The dust mask or respirator must be capable of filtering particles generated by your operation. Prolonged exposure to high intensity noise may cause hearing loss.

- 10. Keep bystanders a safe distance away from work area. Anyone entering the work area must wear personal protective equipment.** Fragments of workpiece or of a broken accessory may fly away and cause injury beyond immediate area of operation.
- 11. Hold power tool by insulated gripping surfaces only, when performing an operation where the cutting accessory may contact hidden wiring or its own cord.** Cutting accessory contacting a "live" wire may make exposed metal parts of the power tool "live" and could give the operator an electric shock.
- 12. Always hold the tool firmly in your hand(s) during the start-up.** The reaction torque of the motor, as it accelerates to full speed, can cause the tool to twist.
- 13. Use clamps to support workpiece whenever practical. Never hold a small workpiece in one hand and the tool in the other hand while in use.** Clamping a small workpiece allows you to use your hand(s) to control the tool. Round material such as dowel rods, pipes or tubing have a tendency to roll while being cut, and may cause the bit to bind or jump toward you.
- 14. Position the cord clear of the spinning accessory.** If you lose control, the cord may be cut or snagged and your hand or arm may be pulled into the spinning accessory.
- 15. Never lay the power tool down until the accessory has come to a complete stop.** The spinning accessory may grab the surface and pull the power tool out of your control.
- 16. After changing the bits or making any adjustments, make sure the collet nut, chuck or any other adjustment devices are securely tightened.** Loose adjustment devices can unexpectedly shift, causing loss of control, loose rotating components will be violently thrown.
- 17. Do not run the power tool while carrying it at your side.** Accidental contact with the spinning accessory could snag your clothing, pulling the accessory into your body.
- 18. Regularly clean the power tool's air vents.** The motor's fan will draw the dust inside the housing and excessive accumulation of powdered metal may cause electrical hazards.
- 19. Do not operate the power tool near flammable materials.** Sparks could ignite these materials.
- 20. Do not use accessories that require liquid coolants.** Using water or other liquid coolants may result in electrocution or shock.

Kickback and Related Warnings

Kickback is a sudden reaction to a pinched or snagged rotating accessory. Pinching or snagging causes rapid stalling of the rotating accessory which in turn causes the uncontrolled power tool to be forced in the direction opposite of the accessory's rotation. For example, if an abrasive wheel is snagged or pinched by the workpiece, the edge of the wheel that is entering into the pinch point can dig into the surface of the material causing the wheel to climb out or kick out. The wheel may either jump toward or away from the operator, depending on direction of the wheel's movement at the point of pinching. Abrasive wheels may also break under these conditions.

Kickback is the result of power tool misuse and/or incorrect operating procedures or conditions and can be avoided by taking proper precautions as given below.

- a) Maintain a firm grip on the power tool and position your body and arm to allow you to resist kickback forces.** The operator can control kickback forces, if proper precautions are taken.

- b) Use special care when working corners, sharp edges etc. Avoid bouncing and snagging the accessory. Corners, sharp edges or bouncing have a tendency to snag the rotating accessory and cause loss of control or kickback.
- c) Do not attach a toothed saw blade. Such blades create frequent kickback and loss of control.
- d) Always feed the bit into the material in the same direction as the cutting edge is exiting from the material (which is the same direction as the chips are thrown). Feeding the tool in the wrong direction causes the cutting edge of the bit to climb out of the work and pull the tool in the direction of this feed.

Safety Warnings Specific for Grinding:

- a) Use only wheel types that are recommended for your power tool and only for recommended applications.
- b) Do not position your hand in line with and behind the rotating wheel. When the wheel, at the point of operation, is moving away from your hand, the possible kickback may propel the spinning wheel and the power tool directly at you.

Additional safety warnings:

21. The tool is intended for use with bonded abrasive wheel points (grinding stones) permanently mounted on plain, unthreaded mandrel (shanks).
22. Make sure the wheel is not contacting the workpiece before the switch is turned on.
23. Before using the tool on an actual workpiece, let it run for a while. Watch for vibration or wobbling that could indicate poor installation or a poorly balanced wheel.
24. Use the specified surface of the wheel to perform the grinding.
25. Watch out for flying sparks. Hold the tool so that sparks fly away from you and other persons or flammable materials.
26. Do not leave the tool running. Operate the tool only when hand-held.
27. Do not touch the workpiece immediately after operation; it may be extremely hot and could burn your skin.
28. Observe the instructions of the manufacturer for correct mounting and use of wheels. Handle and store wheels with care.
29. Check that the workpiece is properly supported.
30. If working place is extremely hot and humid, or badly polluted by conductive dust, use a short-circuit breaker (30 mA) to assure operator safety.
31. Do not use the tool on any materials containing asbestos.
32. Always be sure you have a firm footing. Be sure no one is below when using the tool in high locations.

SAVE THESE INSTRUCTIONS.

⚠ WARNING: DO NOT let comfort or familiarity with product (gained from repeated use) replace strict adherence to safety rules for the subject product. MISUSE or failure to follow the safety rules stated in this instruction manual may cause serious personal injury.

FUNCTIONAL DESCRIPTION

⚠ CAUTION:

- Always be sure that the tool is switched off and unplugged before adjusting or checking function on the tool.

Switch action

► Fig.1: 1. Slide switch

⚠ CAUTION:

- Before plugging in the tool, always check to see that the slide switch actuates properly and returns to the "OFF" position when the rear of the slide switch is depressed.

To start the tool, slide the slide switch toward the "I (ON)" position. For continuous operation, press the front of the slide switch to lock it.

To stop the tool, press the rear of the slide switch, then slide it toward the "O (OFF)" position.

Speed adjusting dial

► Fig.2: 1. Speed adjusting dial

The tool speed can be changed by turning the speed adjusting dial to a given number setting from 1 to 5. Higher speed is obtained when the dial is turned in the direction of number 5. And lower speed is obtained when it is turned in the direction of number 1. Refer to the table for the relationship between the number settings on the dial and the approximate tool speed.

	GD0800C	GD0810C
Number	min ⁻¹ (RPM)	min ⁻¹ (RPM)
1-2	7,000 - 10,000	1,800 - 2,400
2-3	10,000 - 17,000	2,400 - 4,100
3-4	17,000 - 24,000	4,100 - 5,800
4-5	24,000 - 28,000	5,800 - 7,000

⚠ CAUTION:

- If the tool is operated continuously at low speeds for a long time, the motor will get overloaded, resulting in tool malfunction.
- The speed adjusting dial can be turned only as far as 5 and back to 1. Do not force it past 5 or 1, or the speed adjusting function may no longer work.

ASSEMBLY

⚠ CAUTION:

- Always be sure that the tool is switched off and unplugged before carrying out any work on the tool.

Installing the side handle

Always use the side handle to ensure operating safety.

► **Fig.3:** 1. Side handle

Install the side handle on the tool barrel, then tighten the handle by turning clockwise at the desired position.

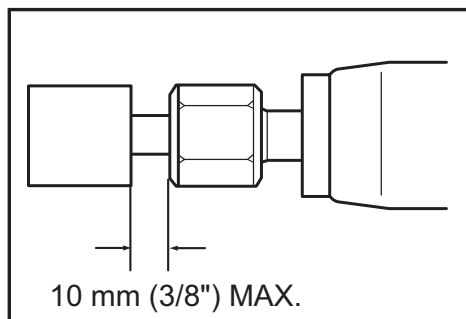
Installing or removing wheel point

► **Fig.4:** 1. Wrench 19 2. Wrench 13 3. Collet nut

Loosen the collet nut and insert the wheel point into the collet nut. Use the smaller wrench to hold the spindle and the larger one to tighten the collet nut securely.

The wheel point should not be mounted more than 10 mm from the collet nut. Exceeding this distance could cause vibration or a broken shaft.

To remove the wheel point, follow the installation procedure in reverse.



⚠ CAUTION:

- Use the correct size collet cone for the wheel point which you intend to use.

OPERATION

► **Fig.5**

Turn the tool on without the wheel point making any contact with the workpiece and wait until the wheel point attains full speed. Then apply the wheel point to the workpiece gently. To obtain a good finish, move the tool in the leftward direction slowly.

⚠ CAUTION:

- Apply light pressure on the tool. Excessive pressure on the tool will only cause a poor finish and overloading of the motor.

MAINTENANCE

⚠ CAUTION:

- Always be sure that the tool is switched off and unplugged before attempting to perform inspection or maintenance.
- Never use gasoline, benzine, thinner, alcohol or the like. Discoloration, deformation or cracks may result.

To maintain product SAFETY and RELIABILITY, repairs, carbon brush inspection and replacement, any other maintenance or adjustment should be performed by Makita Authorized Service Centers, always using Makita replacement parts.

OPTIONAL ACCESSORIES

⚠ CAUTION:

- These accessories or attachments are recommended for use with your Makita tool specified in this manual. The use of any other accessories or attachments might present a risk of injury to persons. Only use accessory or attachment for its stated purpose.

If you need any assistance for more details regarding these accessories, ask your local Makita Service Center.

- Wheel points
- Collet cone set (3 mm, 6 mm, 1/4", 1/8")
- Vise holder
- Wrench 13
- Wrench 19
- Side handle set

NOTE:

- Some items in the list may be included in the tool package as standard accessories. They may differ from country to country.

SPECIFIKATIONER

Modell		GD0800C	GD0810C
Spännhylsans storlek		8 mm max.	8 mm max.
Max. slipstiftsstorlek	Max. skivdiameter	25 mm	50 mm
	Max. spindellängd (skaft)	46 mm	46 mm
Märkvarvtal (n) / Obelastat varvtal (n ₀)		28 000 (min ⁻¹)	7 000 (min ⁻¹)
Total längd		371 mm	371 mm
Vikt		1,7 kg	1,7 kg
Säkerhetsklass		□/II	

- På grund av vårt pågående program för forskning och utveckling kan dessa specifikationer ändras utan föregående meddelande.
- Specifikationerna kan variera mellan olika länder.
- Vikt i enlighet med EPTA-procedur 01/2003

Användningsområde

Verktöget är avsett för slipning av järn och avgradning av gjutskägg.

Strömförsörjning

Maskinen får endast anslutas till elnät med samma spänning som anges på typplåten och med enfasig växelström. De är dubbelisolerade och får därför också anslutas i ojordade vägguttag.

Buller

Typiska A-vägdade bullernivån är mätt enligt EN60745:

Modell GD0800C

Ljudtrycksnivå (L_{pA}): 78 dB (A)

Måttolerans (K): 3 dB (A)

Bullernivån vid arbete kan överstiga 80 dB (A).

Modell GD0810C

Ljudtrycksnivå (L_{pA}): 77 dB (A)

Måttolerans (K): 3 dB (A)

Bullernivån vid arbete kan överstiga 80 dB (A).

Använd hörselskydd

Vibration

Vibrationens totalvärde (tre-axlars vektorsumma) mätt enligt EN60745:

Modell GD0800C

Arbetsläge: planslipning

Vibrationsemission (a_v): 4,5 m/s²

Måttolerans (K): 1,5 m/s²

Modell GD0810C

Arbetsläge: planslipning

Vibrationsemission (a_v): 2,5 m/s² eller lägre

Måttolerans (K): 1,5 m/s²

OBS: Det deklarerade vibrationsemissionsvärdet har uppmätts i enlighet med standardtestmetoden och kan användas för jämförandet av en maskin med en annan.

OBS: Det deklarerade vibrationsemissionsvärdet kan också användas i preliminär bedömning av exponering för vibration.

⚠ VARNING: Vibrationsemissionen under faktisk användning av maskinen kan skilja sig från det deklarerade emissionsvärdet, beroende på hur maskinen används.

⚠ VARNING: Se till att hitta säkerhetsåtgärder som kan skydda användaren och som grundar sig på en uppskattning av exponering i verkligheten (ta med i beräkningen alla delar av användandet såsom antal gånger maskinen är avstängd och när den körs på tomgång samt då startomkopplaren används).

Gäller endast Europa

EU-konformitetsdeklaration

Makita försäkrar att följande maskiner:

Maskinbeteckning:

Slipstiftmaskin

Modellnummer/Typ: GD0800C, GD0810C

Följer följande EU-direktiv:

2006/42/EC

De är tillverkade i enlighet med följande standard eller standardiseringsdokument:

EN60745

Den tekniska dokumentationen i enlighet med 2006/42/EG finns tillgänglig från:

Makita, Jan-Baptist Vinkstraat 2, 3070, Belgium

28.2.2015



Yasushi Fukaya

Direktör

Makita, Jan-Baptist Vinkstraat 2, 3070, Belgium

Allmänna säkerhetsvarningar för maskin

⚠ VARNING Läs igenom alla säkerhetsvarningar och instruktioner. Underlåtenhet att följa varningar och instruktioner kan leda till elektrisk stöt, brand och/eller allvariga personskador.

Spara alla varningar och instruktioner för framtida referens.

SÄKERHETSVARNINGAR FÖR RAK SLIPMASKIN

Säkerhetsvarningar vid slipning:

1. **Denna maskin är avsedd att användas till slipning.** Läs alla säkerhetsvarningar, anvisningar, illustrationer och specifikationer som medföljer den här maskinen. Om inte alla instruktioner nedan följs kan det leda till elektrisk stöt, brand och/eller allvarliga skada.
2. **Arbeten som sandslipning, stålborstning, polering eller kapning är inte rekommenderade att utföras med den här maskinen.** Att utföra arbeten som inte är lämpade för den här maskinen kan orsaka fara eller personskada.
3. **Använd inte tillbehör som inte är särskilt tillverkade och rekommenderade av maskinens tillverkare.** Även om tillbehöret passar maskinen, innebär det inte säker funktion.
4. **Tillbehörets märkvarvtal måste vara minst lika med det maximala varvtalet som anges på maskinen.** Tillbehör som används över märkvarvtalet kan gå sönder och orsaka skador.
5. **Ytterdiametern och tjockleken på ditt tillbehör måste ligga inom ramen för kapaciteten för din maskin.** Tillbehör med felaktigt storlek är svårkontrollerade.
6. **Spindelhälet på tillbehören måste passa in spännhylsan på maskinen.** Tillbehör som inte överensstämmer med monteringsdetaljerna på maskinen kommer att bli obalanserade, vibrera överdrivet mycket och kan göra att du förlorar kontrollen.
7. **Spindelmonterade tillbehör måste tryckas in helt i spännhylsan eller chocken.** Om spindeln inte sitter fast ordentligt och/eller rondellen är för lång, kan det monterade tillbehöret lossna eller skjutas iväg i hög hastighet.
8. **Använd inte ett skadat tillbehör. Undersök tillbehör som slipordeller före varje användning, så att t ex sprickor inte uppstått.** Om du tappar maskinen eller tillbehöret, sök efter skador eller installera ett oskadat tillbehör. Efter undersökning och installation av tillbehöret, ställ dig och åskådare bort från det roterande tillbehöret och kör maskinen på full fart utan last i en minut. Skadade tillbehör faller normalt sönder under den här testtiden.
9. **Bär personlig skyddsutrustning. Använd ansikts-skydd eller skyddsglasögon, beroende på arbetsuppgift. Använd vid behov dammskydd, hörselskydd, handskar och skyddsförkläde som stoppar små bitar slipmaterial eller fragment från arbetsstycket.** Ögonskyddet måste kunna stoppa flygande materialrester som orsakas av olika arbeten. Dammskyddet måste kunna filtrera partiklar som skapas av olika arbeten. Lång tid i kraftigt buller kan orsaka hörselskador.

10. **Håll personer i omgivningen på säkert avstånd från arbetsområdet. De som befinner sig i arbetsområdet ska bära personlig skyddsutrustning.** Delar av arbetsstycket eller defekta tillbehör kan flyga iväg och orsaka skador utanför arbetsområdet.
11. **Håll endast maskinen i de isolerade handtagen när du utför arbete där skärverktyget kan komma i kontakt med en döld elkabel eller maskinens nätsladd.** Om skärtillbehöret kommer i kontakt med en strömförande ledning kan maskinens metalldelar bli strömförande och ge operatören en elektrisk stöt.
12. **Håll alltid maskinen i ett stadigt grepp vid starten.** Vridmomentet i motorn när den accelererar kan göra att maskinen vrider sig.
13. **Använd klämmor när det är möjligt för att stöjda arbetsstycket. Håll aldrig ett litet arbetsstycke i en hand och maskinen i den andra vid användning.** Genom att spänna fast ett litet arbetsstycke så får du händerna fria för att kontrollera maskinen. Runda material såsom träpluggar, rör eller slangar har en tendens att rulla när de skärs och kan göra skåret nyper fast fast eller skickas mot dig.
14. **Placera nätsladden bort från det roterande tillbehöret.** Om du förlorar kontrollen, kan nätsladdens kappas eller fastna och din hand eller arm kan dras in i det roterande verktyget.
15. **Lägg aldrig maskinen åt sidan förrän den har stannat helt.** Det roterande tillbehöret kan gripa tag i underlaget och du kan förlora kontrollen över maskinen.
16. **Efter byte av skär eller vid justering bör du alltid se till att spännhylsans mutter, chuck eller annan typ av justeringsanordning sitter fast ordentligt.** Lösa justeringsanordningar kan röra på sig utan förvarning vilket orsakar förlust av kontroll och att lösa roterande komponenter kastas iväg med en våldsam fart.
17. **Kör inte maskinen när du bär det vid din sida.** Oavsiktlig kontakt med det roterande tillbehöret kan fastna i dina kläder, och dra in tillbehöret mot kroppen.
18. **Rengör regelbundet maskinens ventilationsöppningar.** Motorns fläkt suger in damm i höljet och överdriven ansamling av pulveriserad metall kan orsaka elektrisk fara.
19. **Använd inte maskinen i närheten av lättantändliga material.** Gnistor kan antända dessa material.
20. **Använd inte tillbehör som kräver flytande kylvätskor.** Att använda vatten eller andra flytande kylvätskor kan orsaka dödsfall eller elektriska stötar.

Bakåtkast och relaterade varningar

Bakåtkast är en plötslig reaktion som sker när en skiva nyper fast eller kärvar. Nyp och kärvning orsakar stegring av det roterande tillbehöret vilket i sin tur tvingar den okontrollerade maskinen i motsatt riktning vid kärvningsspunkten.

Om en sliprondell till exempel nyper fast i arbetsstycket, kan sliprondellens kant som går in i fästpunkten skära in i materialet och orsaka att rondellen hoppar ur och kastas bakåt. Rondellen kan antingen hoppa mot eller från användaren, beroende på rondellens rörelseriktning vid punkten där den nyper fast. Sliprondeller kan även gå sönder under dessa omständigheter.

Bakåtkast beror på ovarsamhet och/eller felaktiga arbetsrutiner eller omständigheter för maskinen och kan undvikas genom att vidta nedanstående förebyggande åtgärder.

- Fatta ett stadigt grepp om maskinen och håll din kropp och arm i en position som gör att du kan stå emot krafterna i ett bakåtkast. Användaren kan kontrollera krafterna i ett bakåtkast om lämpliga försiktighetsåtgärder vidtas.
- Var särskilt försiktig när du bearbetar hörn, vassa kanter etc. Undvik att studsas och stöta tillbehöret. Hörn, vassa kanter eller studsar har en tendens att nypa fast det roterande tillbehöret och göra att man förlorar kontrollen eller råkar ut för bakåtkast.
- Montera inte ett tandat sågblad. Sådana blad orsakar ofta bakåtkast och förlorad kontroll.
- För alltid in skivan i materialet ifrån samma riktning som den skärande kanten lämnar materialet (vilket är samma riktning som flisorna kastas åt). Införande av maskinen i fel riktning gör att den skärande kanten klättrar ut ur arbetsstycket och drar maskinen i inmatningsriktningen.

Särskilda säkerhetsvarningar vid slipning:

- Använd bara rondeller som är rekommenderade för din maskin och endast för de rekommenderade tillämpningarna.
- Håll inte din hand i linje med och/eller bakom den roterande rondellen. När rondellen rör sig ifrån dig, kan ett bakåtkast skicka den roterande rondellen och maskinen mot dig.

Ytterligare säkerhetsvarningar:

- Maskinen är avsedd för användning med limmade slipstift (slipstenar) permanent monterade på raka, ogångade spindlar (bultkärnor).
- Se till att rondellen inte är i kontakt med arbetsstycket när du trycker på avtryckaren.
- Låt verktyget vara igång en stund innan den används på arbetsstycket. Kontrollera att skivan inte vibrerar eller skakar vilket kan innebära att den är felaktigt monterad eller dåligt balanserad.
- Slipa endast med den del av rondellen som är avsedd för slipning.
- Se upp för gnistsprut. Håll maskinen på ett sådant sätt att gnistorna flyger i riktning bort från dig, övriga personer eller brännbart material.
- Lämna inte maskinen igång. Använd endast maskinen när du håller den i händerna.
- Rör inte vid arbetsstycket omedelbart efter arbetet. Det kan vara extremt varmt och orsaka brännskador.
- Följ tillverkarens anvisningar för korrekt montering och användning av rondeller. Hantera rondellerna varsamt och förvara dem på säker plats.
- Kontrollera att arbetsstycket är ordentligt fastsatt.
- Om arbetsplatsen är extremt varm och fuktig, eller har hög koncentration av elektriskt ledande damm, ska jordfelsbrytare (30 mA) användas för användarens säkerhet.
- Använd inte maskinen för material som innehåller asbest.

- Se till att alltid ha ett ordentligt fotfäste. Se till att ingen står under dig när maskinen används på hög höjd.

SPARA DESSA ANVISNINGAR.

⚠ FÖRSIKTIG: GLÖM INTE att noggrant följa säkerhetsanvisningarna för maskinen även efter det att du har blivit van att använda den. OVARSAM hantering eller underlåtenhet att följa säkerhetsanvisningarna i denna bruksanvisning kan leda till allvarliga personskador.

FUNKTIONSBESKRIVNING

⚠ FÖRSIKTIGT:

- Se alltid till att maskinen är avstängd och nätsladden urdragen innan du justerar eller funktionskontrollerar maskinen.

Avtryckarens funktion

- Fig. 1: 1. Skjutknapp

⚠ FÖRSIKTIGT:

- Innan du ansluter maskinen till elnätet ska du kontrollera att skjutknappen fungerar och återgår till läget "OFF" när du trycker på den bakre delen av knappen.

Skjut skjutknappen till läget "I (ON)" för att starta maskinen. För kontinuerlig funktion trycker du ned den främre delen av skjutknappen så att den spärras. Tryck ned den bakre delen av kontakten och skjut den till läget "O (OFF)" för att stänga av maskinen.

Ratt för hastighetsinställning

- Fig. 2: 1. Ratt för hastighetsinställning

Maskinhastigheten ställs in genom att vrida ratten för hastighetsinställning till ett värde mellan 1 och 5. Hastigheten blir högre när ratten vrids mot 5. På samma sätt blir hastigheten lägre när ratten vrids mot 1. Se tabellen för sambandet mellan inställningssiffran och ungefärlig maskinhastighet.

	GD0800C	GD0810C
Nummer	min ⁻¹ (varv per minut)	min ⁻¹ (varv per minut)
1-2	7 000 - 10 000	1 800 - 2 400
2-3	10 000 - 17 000	2 400 - 4 100
3-4	17 000 - 24 000	4 100 - 5 800
4-5	24 000 - 28 000	5 800 - 7 000

⚠ FÖRSIKTIGT:

- Om maskinen används oavbrutet i låg hastighet under en lång period, blir motorn överbelastad och maskinen fungerar dåligt.
- Ratten för hastighetsinställning kan endast vridas till 5 och tillbaka till 1. Tvinga den inte förbi 5 eller 1 eftersom hastighetsinställningen då kan sättas ur funktion.

MONTERING

⚠ FÖRSIKTIGT:

- Se alltid till att maskinen är avstängd och nätsladden urdragen innan maskinen repareras.

Montering av sidohandtaget

Använd alltid sidohandtaget av säkerhetsskäl.

► **Fig.3:** 1. Sidohandtag

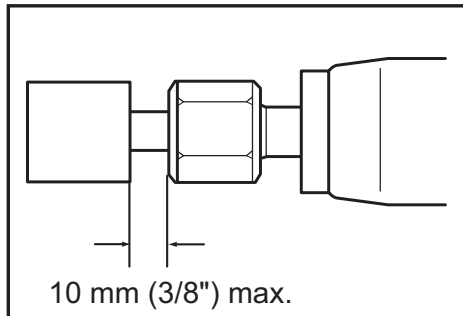
Montera sidohandtaget på maskinhuset och dra därefter åt handtaget genom att vrida det medurs till önskat läge.

Montering eller demontering av slipstift

► **Fig.4:** 1. Skruvnyckel 19 2. Skruvnyckel 13 3. Hylsmutter

Lossa hylsmuttern och för in slipstiftet i den. Använd den mindre nyckeln för att hålla fast spindeln och den större till att dra fast hylsmuttern. Slipstiftet får inte sticka ut mer än 10 mm från hylsmuttern. Ett längre avstånd kan medföra vibrationer eller avbrutet skåft.

Gör på omvänt sätt för att demontera slipstiftet.



⚠ FÖRSIKTIGT:

- Använd alltid rätt storlek på hylsmuttern för det slipstift du ska använda.

ANVÄNDNING

► **Fig.5**

Starta maskinen utan att slipverktyget vidrör arbetsstycket och vänta tills verktyget uppnår full hastighet. Börja sedan arbeta försiktigt. Bästa finish erhålls när maskinen förs långsamt åt vänster.

⚠ FÖRSIKTIGT:

- Tryck inte hårt med maskinen. Överdrivet tryck på slipstiftet medför sämre finish och att motorn överbelastas.

UNDERHÅLL

⚠ FÖRSIKTIGT:

- Se alltid till att maskinen är avstängd och nätkabeln urdragen innan inspektion eller underhåll utförs.
- Använd inte bensen, thinner, alkohol eller liknande. Missfärgning, deformation eller sprickor kan uppstå.

För att upprätthålla produktens SÄKERHET och TILLFÖRLITLIGHET bör reparationer, kontroll och utbyte av kolborstar samt allt annat underhålls- och justeringsarbete utföras av ett auktoriserat Makita servicecenter och med reservdelar från Makita.

VALFRIA TILLBEHÖR

⚠ FÖRSIKTIGT:

- Dessa tillbehör och tillsatser rekommenderas för användning tillsammans med den Makita-maskin som denna bruksanvisning avser. Om andra tillbehör eller tillsatser används kan det uppstå risk för personskador. Använd endast tillbehören eller tillsatserna för de syften de är avsedda för.

Kontakta ditt lokala Makita servicecenter om du behöver ytterligare information om dessa tillbehör.

- Slipstift
- Hylsmutter (3 mm, 6 mm, 1/4 tum, 1/8 tum)
- Hållare för fastsättning i skruvstäd
- Skruvnyckel 13
- Skruvnyckel 19
- Sidohandtag

OBS:

- Några av tillbehören i listan kan vara inkluderade i maskinpaketet som standardtillbehör. De kan variera mellan olika länder.

TEKNISKE DATA

Modell		GD0800C	GD0810C
Patronstørrelse		8 mm maks.	8 mm maks.
Maks. skivespisstørrelse	Maks. hjul diameter	25 mm	50 mm
	Maks. størrelse på spindel (ledetapp)	46 mm	46 mm
Merkehastighet (n) / Hastighet uten belastning (n ₀)		28 000 (min ⁻¹)	7 000 (min ⁻¹)
Total lengde		371 mm	371 mm
Nettovekt		1,7 kg	1,7 kg
Sikkerhetsklasse		☐/II	

- Som følge av vårt kontinuerlige forsknings- og utviklingsprogram kan de tekniske dataene endres uten ytterligere forvarsel.
- Tekniske data kan variere fra land til land.
- Vekt i henhold til EPTA-prosedyre 01/2003

Beregnet bruk

Denne maskinen er laget for sliping av jernholdige materialer eller fjerning av støpegrader.

Strømforsyning

Maskinen må bare kobles til en strømkilde med samme spenning som vist på typeskiltet, og kan bare brukes med enfase-vekselstrømforsyning. Den er dobbelt verneisoleret og kan derfor også brukes fra kontakter uten jording.

Støy

Typisk A-vektet lydtrykknivå er bestemt i henhold til EN60745:

Modell GD0800C

Lydtrykknivå (L_{pA}): 78 dB (A)

Usikkerhet (K): 3 dB (A)

Støynivået under arbeid kan overskride 80 dB (A).

Modell GD0810C

Lydtrykknivå (L_{pA}): 77 dB (A)

Usikkerhet (K): 3 dB (A)

Støynivået under arbeid kan overskride 80 dB (A).

Bruk hørselvern

Vibrasjon

Den totale vibrasjonsverdien (triaksial vektorsum) bestemt i henhold til EN60745:

Modell GD0800C

Arbeidsmåte: overflatesliping

Genererte vibrasjoner (a_h): 4,5 m/s²

Usikkerhet (K): 1,5 m/s²

Modell GD0810C

Arbeidsmåte: overflatesliping

Genererte vibrasjoner (a_h): 2,5 m/s² eller mindre

Usikkerhet (K): 1,5 m/s²

MERK: Den angitte verdien for de genererte vibrasjonene er blitt målt i samsvar med standardtestmetoden og kan brukes til å sammenlikne et verktøy med et annet.

MERK: Den angitte verdien for de genererte vibrasjonene kan også brukes til en foreløpig vurdering av eksponeringen.

ADVARSEL: De genererte vibrasjonene ved faktisk bruk av elektroverktøyet kan avvike fra den oppgitte vibrasjonsverdien, avhengig av hvordan verktøyet brukes.

ADVARSEL: Vær påpasselig med å finne sikkerhetstiltak som beskytter operatøren, basert på en oppfatning av risiko under faktiske bruksforhold (på bakgrunn av alle sider ved brukssyklusen, som når verktøyet slås av og når det går på tomgang, i tillegg til oppstarten).

Gjelder bare land i Europa

EF-samsvarserklæring

Makita erklærer at følgende maskin(er):

Maskinbetegnelse:

Rettsliper

Modellnr./type: GD0800C, GD0810C

Samsvarer med følgende europeiske direktiver:

2006/42/EC

De er produsert i henhold til følgende standarder eller standardiserte dokumenter:

EN60745

Den tekniske filen i samsvar med 2006/42/EF er tilgjengelig fra:

Makita, Jan-Baptist Vinkstraat 2, 3070, Belgia

28.2.2015



Yasushi Fukaya

Direktør

Makita, Jan-Baptist Vinkstraat 2, 3070, Belgia

Generelle advarsler angående sikkerhet for elektroverktøy

⚠ADVARSEL Les alle sikkerhetsadvarslene og alle instruksjonene. Hvis du ikke følger alle advarslene og instruksjonene som er oppført nedenfor, kan det føre til elektriske støt, brann og/eller alvorlige helseskader.

Oppbevar alle advarsler og instruksjoner for senere bruk.

SIKKERHETSANVISNINGER FOR SLIPEMASKIN

Vanlige sikkerhetsadvarsler for sliping:

- 1. Dette elektroverktøyet er beregnet for sliping. Les alle sikkerhetsadvarsler, instruksjoner, illustrasjoner og spesifikasjoner som følger med dette elektroverktøyet.** Unnlatelse av å følge alle instruksjoner i oversikten nedenfor, kan føre til elektrisk støt, brann og alvorlige skader.
- 2. Pussing, stålborsting, polering eller kutting bør ikke utføres med dette elektroverktøyet.** Bruk av verktøyet til noe annet enn det det er beregnet for, kan medføre fare og forårsake personskade.
- 3. Ikke bruk tilbehør som ikke er spesielt beregnet og anbefalt av verktøyproduzenten.** Selv om tilbehøret kan monteres på elektroverktøyet, er ikke det noen garanti for sikker bruk.
- 4. Angitt hastighet for tilbehøret må være minst like høy som største angitte hastighet på elektroverktøyet.** Tilbehør som kjøres med større hastighet enn det som er angitt, kan gå i stykker og slynges ut.
- 5. Den utvendige diameteren og tykkelsen på tilbehøret må ligge innenfor den oppgitte kapasiteten for verktøyet.** Tilbehør i feil størrelse kan ikke bli tilstrekkelig kontrollert.
- 6. Aksehullet til tilbehøret må passe til spennhylsen på verktøyet.** Tilbehør som ikke passer til monteringsmekanismen på verktøyet vil komme ut av balanse, vibrere sterkt og kan forårsake at du mister kontrollen.
- 7. Tilbehør som er montert på spindelen må settes godt fast i flensen eller patronen.** Hvis spindelen ikke holdes tilstrekkelig og/eller overhenger på skiven er for langt, kan tilbehøret som er montert løsne og kastes ut ved høy hastighet.
- 8. Ikke bruk tilbehør som er skadet. Undersøk før hver gangs bruk, om tilbehør som slipeskiver har hakk eller sprekker. Hvis elektroverktøyet eller tilbehøret faller ned, må det undersøkes om det har oppstått skade og eventuelt skiftes ut med uskadd tilbehør. Når et tilbehør er undersøkt og montert, skal du stille deg selv og andre utenfor tilbehørets rotasjonsplan og kjøre verktøyet på maksimal hastighet, uten belastning, i ett minutt. Skadet tilbehør vil vanligvis gå i stykker i løpet av en slik test.**
- 9. Bruk personvernustyr. Bruk ansiktsskjold, beskyttelsesbriller eller vernebriller, alt avhengig av bruken. Bruk etter behov støvmaske, hørselsvern, hansker og beskyttelsesdekke som kan stoppe små slipepartikler eller fragmenter fra arbeidsstykket. Beskyttelsesbrillene må kunne stoppe flygende deler fra bruken av verktøyet. Støvmasken eller pustemasken må kunne filtrere partikler som dannes ved bruken av verktøyet. Kraftig lyd over lengre tid kan forårsake redusert hørsel.**

- 10. Hold tilskuere på trygg avstand fra arbeidsområdet. Alle som beveger seg inn i arbeidsområdet må bruke personvernustyr.** Fragmenter fra arbeidsstykket eller fra skadet tilbehør kan slynges ut og forårsake skade utenfor det nære arbeidsområdet.
- 11. Hold verktøyet kun i det isolerte håndtaket når kappetilbehøret kan komme i kontakt med skjulte ledninger eller sin egen ledning under arbeidet.** Hvis kappetilbehøret kommer i kontakt med strømførende ledninger, vil uisolerte metall-deler av verktøyet bli strømførende og kan gi brukeren elektrisk støt.
- 12. Verktøyet må alltid holdes i fast grep ved oppstart.** Reaksjonsdreiemomentet for motoren, når den akselererer til full hastighet, kan forårsake at verktøyet vrir seg.
- 13. Bruk klemmer for å støtte arbeidsstykket når det er praktisk mulig. Hold aldri et lite arbeidsstykke i én hånd og verktøyet i den andre hånden når det er i bruk.** Ved å bruke klemmer for å feste et lite arbeidsstykke, kan du bruke én hånd eller begge hender for å kontrollere verktøyet. Runde materialer som plugg, rør eller fleksibelt rør har en tendens til å rulle når det kuttes, noe som kan forårsake at det fester seg eller kastes mot deg.
- 14. Plasser ledningen unna det roterende tilbehøret.** Hvis du mister kontrollen, kan ledningen kuttes av eller henge fast og hånden eller armen din kan bli trukket inn til det roterende tilbehøret.
- 15. Ikke legg ned elektroverktøyet før tilbehøret har stoppet helt.** Det roterende tilbehøret kan få feste i overflaten og trekke elektroverktøyet ut av kontroll.
- 16. Etter at du har endret spissen eller foretatt eventuelle justeringer, må du kontrollere at flensmutteren, patronen eller andre justeringsenheter er forsvarlig fester.** Løse justeringsenheter kan plutselig løsne og forårsake tap av kontroll og løse, roterende komponenter kan bli kastet rundt med voldsom hastighet.
- 17. Ikke kjør elektroverktøyet når du bærer det langs siden.** Utilsiktet kontakt med roterende tilbehør kan føre til at det fester i klærne og trekkes inn mot kroppen.
- 18. Rengjør verktøyets luftventiler regelmessig.** Motorens vifte trekker støv inn i verktøyhuset og mye oppsamlet metallstøv kan medføre elektrisk fare.
- 19. Ikke bruk elektroverktøyet nær brennbare materialer.** Gnister kan antenne slike materialer.
- 20. Ikke bruk tilbehør som krever kjølevæske.** Bruk av vann eller andre kjølevæsker kan føre til elektrisk støt.

Tilbakeslag og relaterte advarsler

Tilbakeslag er en plutselig reaksjon på et roterende tilbehør som klemmes eller hektes fast. Fastklemming forårsaker plutselig stopp av det roterende tilbehøret noe som forårsaker at det ukontrollerbare verktøyet kastes i motsatt retning av tilbehørets rotasjonsretning. Hvis for eksempel en slipeskive klemmes fast i arbeidsstykket, kan kanten på skiven som er fastklemt grave seg inn i overflaten på materialet og føre til at skiven spretter eller slynges ut. Skiven kan enten sprette mot eller vekk fra operatøren avhengig av rotasjonsretningen på skiven når den klemmes fast. Slipeskiver kan også knekke under slike forhold.

Tilbakeslag er et resultat av feil bruk av verktøyet og/eller feilaktige arbeidsprosedyrer eller arbeidsforhold og kan unngås hvis man tar riktige forholdsregler som angitt nedenfor.

- Hold verktøyet godt fast og plasser kroppen og armene dine for å motstå kreftene ved tilbakeslag.** Operatørene kan kontrollere kreftene ved tilbakeslag hvis det tas riktige forholdsregler.
- Vær spesielt forsiktig under arbeid med hjørner, skarpe kanter osv. Unngå at tilbehøret spretter eller hugger.** Hjørner, skarpe kanter eller hugg fører ofte til at det roterende tilbehøret kommer i klemme og forårsaker tap av kontroll eller tilbakeslag.
- Ikke monter et tannet sagblad.** Slike blader forårsaker ofte tilbakeslag og tap av kontroll.
- Mat alltid spissen inn i materialet i samme retning som skjærekanten for materialet (samme retning som flisene kastes).** Hvis du mater verktøyet i feil retning, kan det føre til at skjærekanten til spissen trekkes ut av arbeidsstykket og trekker verktøyet i retning av denne innmatningen.

Spesielle sikkerhetsadvarsler for sliping:

- Bruk kun skiver som er anbefalt for verktøyet og til de anbefalte bruksområdene.**
- Ikke hold hånden på linje med eller bak den roterende skiven.** Når skiven beveger seg bort fra deg ved bruksstedet, kan et mulig tilbakeslag drive den roterende skiven og verktøyet rett mot deg.

Ekstra sikkerhetsadvarsler:

- Verktøyet er tiltenkt brukt sammen med faste slipeskiver (slipesteiner) permanent montert på en jevn spindel (ledetapper).**
- Forviss deg om at skiven ikke har kontakt med arbeidsstykket før startbryteren er slått på.**
- Før du begynner å bruke verktøyet på et arbeidsstykke, bør du la det gå en liten stund. Se etter vibrasjoner eller vingling som kan tyde på at skiven er dårlig balansert.**
- Bruk den angitte overflaten av skiven til å utføre slipingen.**
- Se opp for flygende gnister. Hold maskinen slik at gnistene flyr bort fra deg og andre personer eller brennbare materialer.**
- Ikke gå fra verktøyet mens det er i gang. Verktøyet må bare brukes mens operatøren holder det i hendene.**
- Ikke berør arbeidsstykket umiddelbart etter bruk. Det kan være ekstremt varmt og kan gi deg brannskader.**
- Følg produsentens anvisninger for korrekt montering og bruk av skiver. Håndter og oppbevar skivene forsiktig.**
- Forviss deg om at arbeidsstykket står støtt.**
- Hvis arbeidsplassen er ekstremt varm og fuktig, eller svært forurenset med elektrisk ledende støv, må du bruke en kortslutningsbryter (30 mA) for å ivareta operatørens sikkerhet.**
- Ikke bruk maskinen på materialer som inneholder asbest.**
- Forviss deg alltid om at du har godt fotfeste. Forviss deg om at ingen står under deg når du jobber høyt over bakken.**

TA VARE PÅ DISSE INSTRUKSENE.

⚠ADVARSEL: Selv om du har brukt produktet mye og føler deg fortrolig med det, er det likevel svært viktig at du følger nøye de retningslinjene for sikkerhet som er utarbeidet for dette produktet. **MISBRUK** av verktøyet eller mislighold av sikkerhetsreglene i denne brukerhåndboken kan resultere i alvorlige helseskader.

FUNKSJONSBEKRIVELSE

⚠FORSIKTIG:

- Forviss deg alltid om at maskinen er slått av og støpselet trukket ut av kontakten før du justerer maskinen eller kontrollerer dens mekaniske funksjoner.

Bryterfunksjon

► Fig.1: 1. Skyvebryter

⚠FORSIKTIG:

- Før du forbinde verktøyet med stikkkontakten, må alltid kontrollere at skyvebryteren aktiveres som den skal og returnerer til AV-stilling (OFF) når baksiden av skyvebryteren trykkes.

Start verktøyet ved å skyve skyvebryteren mot "I"-stillingen (PA). For kontinuerlig drift må du trykke på fremre del av skyvebryteren for å låse denne. Stopp verktøyet ved å trykke på bakre del av skyvebryteren, og skyv den deretter mot "O (AV)"-stillingen.

Turtallsinnstillingshjul

► Fig.2: 1. Hastighetsinnstillingshjul

Verktøyets hastighet kan endres ved å dreie innstillingshjulet til en tallinnstilling fra 1 til 5. Høyere hastighet oppnås når du dreier skiven mot tall 5. Lavere hastighet oppnås når hjulet dreies mot tall 1. I tabellen finner du forholdet mellom tallinnstillingene på skiven og omtrentlig verktøyhastighet.

Nummer	GD0800C	GD0810C
	min ⁻¹ (RPM)	min ⁻¹ (RPM)
1-2	7 000 - 10 000	1 800 - 2 400
2-3	10 000 - 17 000	2 400 - 4 100
3-4	17 000 - 24 000	4 100 - 5 800
4-5	24 000 - 28 000	5 800 - 7 000

⚠FORSIKTIG:

- Hvis verktøyet brukes lenge og kontinuerlig ved lavt turtall, vil motoren bli overbelastet og slutte å virke som den skal.
- Turtallsinnstillingshjulet kan kun dreies til 5 og så tilbake til 1. Ikke prøv å dreie det forbi 5 eller 1, ellers kan det hende at turtallsinnstillingen slutter å virke.

MONTERING

⚠️FORSIKTIG:

- Forviss deg alltid om at maskinen er slått av og støpselet trukket ut av kontakten før du utfører noe arbeid på maskinen.

Montering av støttehåndtak

Bruk alltid støttehåndtaket for sikker drift av verktøyet.

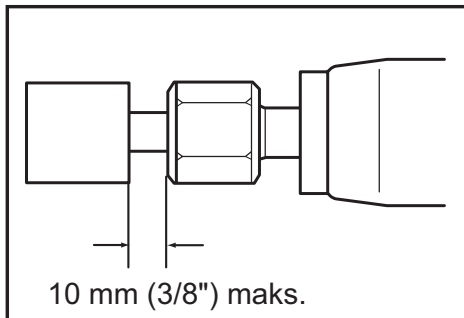
► **Fig.3:** 1. Støttehåndtak

Monter støttehåndtaket på verktøysylindringen, og fest håndtaket ved å dreie det med klokken til ønsket stilling.

Montere eller demontere skivespissen

► **Fig.4:** 1. Skrunøkkel 19 2. Skrunøkkel 13 3. Patronmutter

Løsne kjoksmutteren og sett skivespissen inn i kjoksmutteren. Bruk den lille skrunøkkel til å holde spindel med, og den store til å stramme kjoksmutteren godt. Skivespissen bør ikke være montert mer enn 10 mm fra kjoksmutteren. Hvis denne avstanden overskrides, kan det oppstå vibrasjoner eller spindelen kan brette. For å demontere skivespissen, må du følge monteringsprosedyren i motsatt rekkefølge.



⚠️FORSIKTIG:

- Bruk en patronkonus med en størrelse som passer til den skivespissen du har tenkt å bruke.

BRUK

► **Fig.5**

Slå på maskinen uten at skivespissen kommer i kontakt med arbeidsemnet, og vent til skivespissen har oppnådd full hastighet. Sett deretter skivespissen forsiktig inn til arbeidsemnet. Beveg verktøyet langsomt mot venstre for å oppnå et godt resultat.

⚠️FORSIKTIG:

- Utøv lett trykk på verktøyet. For stort trykk vil bare føre til at resultatet blir dårlig og at verktøyet overbelastes.

VEDLIKEHOLD

⚠️FORSIKTIG:

- Forviss deg alltid om at maskinen er slått av og støpselet trukket ut av kontakten før du foretar inspeksjon eller vedlikehold.
- Aldri bruk gasolin, bensin, tynner alkohol eller lignende. Det kan føre til misfarging, deformering eller sprekkdannelse.

For å opprettholde produktets SIKKERHET og PÅLITELIGHET, må reparasjoner, inspeksjon og skifte av kullbørstene, vedlikehold og justeringer utføres av Makitas autoriserte servicesentre, og det må alltid brukes reservedeler fra Makita.

VALGFRITT TILBEHØR

⚠️FORSIKTIG:

- Det anbefales at du bruker dette tilbehøret eller verktøyet sammen med den Makita-maskinen som er spesifisert i denne håndboken. Bruk av annet tilbehør eller verktøy kan forårsake helseskader. Tilbehør og verktøy må kun brukes til det formålet det er beregnet på.

Ta kontakt med ditt lokale Makita-servicesenter hvis du trenger mer informasjon om dette tilbehøret.

- Skivespisser
- Patronkonussett (3 mm, 6 mm, 1/4", 1/8")
- Skrustikkeholder
- Skrunøkkel 13
- Skrunøkkel 19
- Støttehåndtaksett

MERK:

- Enkelte elementer i listen kan være inkludert som standardtilbehør i verktøypakken. Elementene kan variere fra land til land.

TEKNISET TIEDOT

Malli		GD0800C	GD0810C
Kivistysmutterin koko		Maks.8 mm	Maks.8 mm
Karalaikan suurin koko	Suurin laikkahalkaisija	25 mm	50 mm
	Suurin karan (varsi) pituus	46 mm	46 mm
Nimellisa nopeus (n) / nopeus kuormittamattomana (n ₀)		28 000 (min ⁻¹)	7 000 (min ⁻¹)
Kokonaispituus		371 mm	371 mm
Nettopaino		1,7 kg	1,7 kg
Turvaluokitus		□/II	

- Jatkuvan tutkimus- ja kehitysohjelman vuoksi pidätämme oikeuden muuttaa tässä mainittuja teknisiä ominaisuuksia ilman ennakkoilmoitusta.
- Tekniset ominaisuudet saattavat vaihdella eri maissa.
- Paino EPTA-menetelmän 01/2003 mukaan

Käyttötarkoitus

Työkalu on tarkoitettu metallien hiomiseen tai valujen purseenpoistoon.

Virtälähde

Laitteen saa kytkeä vain sellaiseen virtalähteeseen, jonka jännite on sama kuin arvokilvessä ilmoitettu, ja sitä saa käyttää ainoastaan yksivaiheisella vaihtovirralla. Laitte on kaksinkertaisesti suojaeristetty, ja se voidaan siten kytkeä myös maadoittamattomaan pistorasiaan.

Melutaso

Tyypillinen A-painotettu melutaso määräytyy EN60745-standardin mukaan:

Malli GD0800C

Äänenpainetaso (L_{PA}): 78 dB (A)

Virhemarginaali (K): 3 dB (A)

Työskentelyn aikana melutaso voi ylittää 80 dB (A).

Malli GD0810C

Äänenpainetaso (L_{PA}): 77 dB (A)

Virhemarginaali (K): 3 dB (A)

Työskentelyn aikana melutaso voi ylittää 80 dB (A).

Käytä kuulosuojaimia

Tärinä

Värähtelyn kokonaisarvo (kolmiakselivektorin summa) on määritelty EN60745mukaan:

Malli GD0800C

Työtila: pinnan hionta

Tärinäpäästö (a_v): 4,5 m/s²

Virhemarginaali (K): 1,5 m/s²

Malli GD0810C

Työtila: pinnan hionta

Tärinäpäästö (a_v): 2,5 m/s² tai vähemmän

Virhemarginaali (K): 1,5 m/s²

HUOMAA: Ilmoitettu tärinäpäästöarvo on mitattu standarditestausmenetelmän mukaisesti, ja sen avulla voidaan vertailla työkaluja keskenään.

HUOMAA: Ilmoitettua tärinäpäästöarvoa voidaan käyttää myös altistumisen alustavaan arviointiin.

VAROITUS: Työkalun käytön aikana mitattu todellinen tärinäpäästöarvo voi poiketa ilmoitetusta tärinäpäästöarvosta työkalun käyttötavan mukaan.

VAROITUS: Selvitä käyttäjän suojaamiseksi tarvittavat varotoimet todellisissa käyttöolosuhteissa tapahtuvan arvioitun altistumisen mukaisesti (ottaen huomioon käyttöjaksot kokonaisuudessaan, myös jaksot, joiden aikana työkalu on sammutettuna tai käy tyhjäkäynnillä).

Koskee vain Euroopan maita

VAKUUTUS EC-VASTAAVUUDESTA

Makita ilmoittaa, että seuraava(t) kone(et)

Koneen tunnistetiedot:

Painehiomakone

Mallinro/tyyppi: GD0800C, GD0810C

Täyttävät seuraavien eurooppalaisten direktiivien vaatimukset:

2006/42/EC

On valmistettu seuraavien standardien tai standardoitujen asiakirjojen mukaisesti:

EN60745

Direktiivin 2006/42/EY mukaiset tekniset tiedot ovat saatavissa seuraavasta osoitteesta:

Makita, Jan-Baptist Vinkstraat 2, 3070, Belgium

28.2.2015



Yasushi Fukaya

Johtaja

Makita, Jan-Baptist Vinkstraat 2, 3070, Belgium

Sähkötyökalujen käyttöä koskevat varoitukset

VAROITUS Lue kaikki turvallisuusvaroitukset ja käyttöohjeet. Varoitusten ja ohjeiden noudattamatta jättäminen voi johtaa sähköiskuihin, tulipaloon ja/tai vakavaan vammautumiseen.

Säilytä varoitukset ja ohjeet tulevaa käyttöä varten.

KARALAIKKAHIOMAKONEEN TURVALLISUUSOHJEET

Yleisiä turvallisuusohjeita hiomatoimintaan:

- Tätä tehokonetta käytetään hiomakoneena. Lue kaikki ne turvallisuusvaroitukset, ohjeet, kuvaukset ja määrittely, jotka annetaan tämän tehokoneen mukana.** Kaikkien alhaalla listattujen ohjeiden noudattamisen laiminlyönti voi aiheuttaa sähköiskun, tulipalon ja/tai vakavan
- Sellaisia toimintoja, kuten hiontaa, metallilangan harjausta, kiillottamista tai pois leikkaamista ei suositella suoritettavaksi tällä tehokoneella.** Sellaiset toiminnot, joihin tätä tehokonetta ei ole suunniteltu, voivat lujata vaaran ja aiheuttaa henkilövamman.
- Älä käytä sellaisia lisävarusteita, jotka eivät ole nimienomaan valmistajan suunnittelemat tai suosittelemat.** Vain, koska lisävaruste voidaan liittää tehokoneeseen, se ei varmista turvallista toimintaa.
- Lisävarusteen määrätyn nopeuden täytyy olla ainakin samanvertainen tehokoneessa osoitetun enimmäisnopeuden kanssa.** Sellaiset lisävarusteet, jotka menevät nopeammin, kuin määrätty nopeus, voivat rikkoutua ja lentää palasiksi.
- Lisävarusteen ulkohalkaisijan ja paksuuden pitää olla sähkötyökalun nimellistehon mukaisia.** Vääränkokoisia lisävarusteita ei voida hallita asianmukaisesti.
- Lisävarusteiden reikäkokojen täytyy sopia sähkötyökalun karaan täsmälleen.** Lisävarusteet, joiden reiät eivät vastaa sähkötyökalun kiinnitysosaa, pyörivät epätasapainossa, tarisevat liikaa ja saattavat aiheuttaa hallinnan menetyksen.
- Kara-asennettavat lisävarusteet on työnnettävä täysin kiristysholkkiin tai kiristyskartioon.** Jos kara ei ole asianmukaisesti paikallaan ja/tai laikan ulkonema on liian suuri, lisävaruste voi löysytyä ja sinkoutua työkalusta suurella nopeudella.
- Älä käytä vahingoittunutta lisävarustetta.** Tarkista ennen jokaista käyttökertaa, ettei lisävaruste, kuten hiomarengas ole lohjennut tai särkynyt. Jos tehokone tai lisävaruste pudotetaan, tarkista se vahingon vuoksi tai aseta vahingoittumaton lisävaruste. Lisävarusteen tarkistamisen ja asentamisen jälkeen, aseta itsesi ja katsojat kauas pyörivän lisävarusteen höyläyksen läheltä ja käytä tehokonetta enimmäisnopeudella ilman kuormitusta noin yhden minuutin ajan. Vahingoittuneet lisävarusteet hajoavat normaalisti tämän testin aikana.
- Pukeudu henkilökohtaisiin suojavarusteisiin.** Käytöstä riippuen käytä kasvosuojaa, suoja-laseja tai varmuuslaseja. Käytä polynaamaria, kuulosuojaimia, käsineitä ja sellaista työpapjan esiliinaa, joka pystyy pysäyttämään pieniä

hankausjauheen tai työkappaleen palasia.

Silmäsuojan on kyettävä pysäyttämään lentäviä pirstaleita, jotka aiheutuvat erilaisten toimintojen aikana. Polynaamion tai hengityssuojan on suodatettava toiminnostasi aiheutuvat palaset. Jos olet pidemmän aikaa alttina erittäin kovalle melulle, se voi aiheuttaa kuulon menettämisen.

- Pidä sivustakatsojat turvallisen välimatkan päässä työalueelta.** Kaikkien työalueella astuvien henkilöiden on käytettävä henkilökohtaista suojarustetta. Työkappaleen tai rikkoutuneen lisävarusteen pirstaleet voivat aiheuttaa vammautumisen välittömästi toiminta-alueen ulkopuolella.
- Kannattele sähkötyökalua vain sen eristetyistä tartuntapinnoista silloin, kun on mahdollista, että työstölisävaruste voi osua piilossa oleviin johtoihin tai koneen omaan virtajohtoon.** Jos työstölisävaruste joutuu kosketukseen jännitteisen johdon kanssa, jännite voi siirtyä sähkötyökalun sähköä johtaviin metalliosiin ja aiheuttaa käyttäjälle sähköiskun.
- Kannattele työkalua tukevasti molemmin käsin käynnistyksen aikana.** Täyteen nopeuteen kiihtyvän moottorin vääntövoima, voi saada työkalun kääntymään.
- Kiinnitä työkappale paikalleen puristimilla aina, kun se on mahdollista. Älä koskaan pidä pientä työkalua kädessäsi ja käytä työkalua toisella kädellä.** Pienen työkappaleen kiinnittäminen paikalleen puristimilla mahdollistaa työkalun hallinnan molemmin käsin. Pyöreät kappaleet, kuten tangot, putket tai letkut, voivat helposti pyöriä työstettäessä, mikä voi saada terän juuttumaan kiinni tai ponnahtamaan käyttäjää kohti.
- Aseta johto varmaan paikkaan pyörivästä lisävarusteesta.** Jos menetät hallintakykyä, johto voi kaitketa tai repeytyä ja kätesi voi joutua pyörivään lisävarusteeseen.
- Älä koskaan laita tehokonetta alas, ennen kuin lisävaruste on täysin pysähtynyt.** Pyörivä lisävaruste voi tarrata pintaan ja vetää tehokoneen ohjaus käsistäsi.
- Varmista terän vaihtamisen tai säätöjen tekemisen jälkeen, että kiristysholkin mutteri, kiristyskartio tai muut säätövarusteet on kiristetty tiukasti.** Löysällä olevat säätövarusteet voivat liikkua odottamattomasti, mistä voi olla seurauksena hallinnan menetys, tai löystyneiden pyörivien osien sinkoutuminen suurella voimalla.
- Älä anna tehokoneen mennä sillä välin, kun annat sitä sivullasi.** Vahingossa aiheutuva lisävarusteen pyöriminen voi repiä vaatteesi, vetäen lisävarusteen kehoosi.
- Puhdista työkalun ilma-aukot säännöllisesti.** Moottorin tuuletin imee pölyä koteloon, ja metallijauheen kerääntyminen laitteeseen voi aiheuttaa sähköiskuvaaran.
- Älä käytä tehokonetta tulenarkojen materiaalien lähellä.** Kipinät voivat sytyttää nämä materiaalit.
- Älä käytä sellaisia lisävarusteita, jotka vaativat jäähdytysnesteitä.** Jos käytät vettä tai muuta jäähdytysnestetä, se voi aiheuttaa sähkötapaturman tai -iskun.

Takapotku ja siihen liittyvät varoitukset

Takapotku on kiinni juuttuneen lisävarusteen aiheuttama äkillinen sysäys. Kiinni juuttuminen tai tarketelu aiheuttaa sen, että pyörivä lisävaruste pysähtyy, mikä puolestaan alkaa työntää sähkötyökalua hallitsemattomasti pyörimisliikkeelle vastakkaiseen suuntaan.

Jos esimerkiksi hiomalaikka juuttuu työkappaleeseen, juuttumiskohtaan osuva laikan reuna voi pureutua kappaleeseen, jolloin laikka ponnahtaa ylös tai potkaisee ulospäin. Laikka voi ponnahtaa joko käyttäjää kohti tai käyttäjästä poispäin riippuen laikan pyörimissuunnasta juuttumishetkellä. Hiomalaikka voi tällöin myös rikkoutua.

Takapotku johtuu sähkötyökalun virheellisestä käytöstä ja/tai käyttötavasta tai olosuhteista. Takapotku voidaan välttää seuraavien varotoimien avulla.

- a) Pidä sähkötyökalusta tukevasti kiinni ja kannattele sitä siten, että voit käyttää käsiesi ja vartalosi voimaa takapotkun vastustamiseen. Käyttäjä voi hallita takapotkuja, jos hän varautuu niihin asianmukaisesti.
- b) Ole erityisen varovainen, kun työstät nurkia, teräviä reunoja tms. Vältä lisävarusteen pomppimista ja jumittumista. Nurkat, terävät kulmat jne. voivat jumittaa pyörivä terän, minkä seurauksena voi olla hallinnan menetyks tai takapotku.
- c) Älä käytä laitteessa sahateräisiä laikkoja. Ne aiheuttavat usein takapotkuja ja hallinnan menettämisä.
- d) Syötä teräkappale työstettävään materiaaliin suunnassa, jossa leikkaava terä pyörii poispäin työstettävästä materiaalista (lastujen poistumissuuntaan). Työkalun syöttäminen väärään suuntaan saa teräkappaleen leikkuuterän nousemaan pois työkappaleesta ja vetää työkalua syötön suuntaan.

Turvavaroituksia erityisesti hiontaan:

- a) Sähkötyökalussa vain sille suositeltuja laikkatyyppisiä, ja käytä niitä vain suositeltuun käyttötarkoitukseen.
- b) Älä aseta kättäsi samaan linjaan pyörivän laikan taakse. Kun laikka käytettäessä liikkuu käyttäjästä poispäin, mahdollinen takapotku voi sysätä pyörivän laikan ja sähkötyökalun suoraan käyttäjää kohti.

Turvallisuutta koskevat lisävaroitukset:

21. Työkalu on tarkoitettu käytettäväksi suoraan, kierteittämättömään karaan (varteen) pysyvästi kiinnitettyjen laikkakärkien (hiomakivien) kanssa.
22. Varmista, että laikka ei kosketa työkappaleeseen, ennen kuin virta on kytketty päälle kytkimestä.
23. Ennen kuin käytät työkalua nimenomaiseen työkappaleeseen, anna sen juosta jonkin aikaa. Varo, ettei se värähtele tai tärisä, joka voi on merkki siitä, että laikka on huonosti asennettu tai tasapainoitettu.
24. Käytä hiontaan siihen tarkoitettua laikan pintaa.
25. Varo kipinöitä. Pidä työkalua niin, että kipinät suuntautuvat poispäin itsestäsi ja muista sekä syttymisherkistä materiaaleista.
26. Älä jätä konetta käymään itseksään. Käytä laitetta vain silloin, kun pidät sitä kädessä.
27. Älä kosketa työkalua heti käytön jälkeen, sillä se saattaa olla erittäin kuuma ja polttaa ihoa.
28. Noudata valmistajan antamia ohjeita laikkojen oikeasta asennuksesta ja käytöstä. Käsittele laikkoja varoen ja säilytä niitä turvallisissa

paikassa.

29. Varmista, että työkalu on tukevasti paikoillaan.
30. Jos työtöila on erittäin kuumin ja kostea tai siinä esiintyy runsaasti sähköä johtavaa pölyä, varmista turvallisuus käyttämällä vikavirtakatkaisinta (30 mA).
31. Älä hio tai leikkaa työkalulla mitään asbestia sisältäviä materiaaleja.
32. Pidä huoli siitä, että seisot tukevasti. Jos työskentelet korkealla, varmista, ettei ketään ole alapuolella.

SÄILYTÄ NÄMÄ OHJEET.

VAROITUS: ÄLÄ anna työkalun helppokäyttöisyyden tai toistuvan käytön tuudittaa sinua väärään turvallisuuden tunteeseen niin, että laiminlyöt työkalun turvaohjeiden noudattamisen. VÄÄRINKÄYTTÖ tai tämän käyttöohjeen turvamääräysten laiminlyönti voi johtaa vakaviin henkilövahinkoihin.

TOIMINTOJEN KUVAUS

HUOMIO:

- Varmista aina ennen koneen säätöjen ja toiminnallisten tarkistusten tekemistä, että kone on sammutettu ja irrotettu pistorasiasta.

Kytkimen käyttäminen

► Kuva1: 1. Liukukytkin

HUOMIO:

- Ennen kuin kytket työkaluun sähkövirran, tarkista, että liukukytkin kytketty oikein ja palautuu OFF-asentoon, kun liukukytkimen takaosaa painetaan.

Käynnistä työkalu liu'uttamalla liukukytkin I-asentoon (ON). Jos haluat koneen käyvän jatkuvasti, lukitse liukukytkin painamalla sen etuosaa.

Pysäytä työkalu painamalla liukukytkimen takaosaa ja liu'uttamalla se O-asentoon (OFF).

Nopeudensäätöpyörä

► Kuva2: 1. Nopeudensäätöpyörä

Työkalun nopeuden voi muuttaa kiertämällä nopeudensäätöpyörää valittuun numeroon 1 ja 5 välillä.

Saavutat korkeamman nopeuden, kun kierrät pyörää numeron 5 suuntaan. Ja alhaisemman nopeuden voi saavuttaa kiertämällä pyörää numeron 1 suuntaan.

Katso pyörän numeroasetuksen ja arvioitujen työkalun nopeuden välisen suhteen taulukosta.

	GD0800C	GD0810C
Luku	min ⁻¹ (RPM)	min ⁻¹ (RPM)
1-2	7 000 - 10 000	1 800 - 2 400
2-3	10 000 - 17 000	2 400 - 4 100
3-4	17 000 - 24 000	4 100 - 5 800
4-5	24 000 - 28 000	5 800 - 7 000

⚠️HUOMIO:

- Jos työkalua käytetään jatkuvasti pitkään matalalla nopeudella, moottori ylikuormittuu aiheuttaen työkalun häiriön.
- Nopeussäädintä voi kääntää vain asentoon 5 tai asentoon 1 ja saakka. Älä pakota sitä asennon 5 tai 1 ohii, koska nopeudensäätötoiminto saattaa lakata toimimasta.

KOKOONPANO

⚠️HUOMIO:

- Varmista aina ennen koneelle tehtäviä toimenpiteitä, että kone on sammutettu ja irrotettu pistorasiasta.

Sivukahvan asentaminen

Käytä aina sivukahvaa käytön turvallisuuden varmistamiseksi.

► **Kuva3:** 1. Sivukahva

Asenna sivukahva työkalun sylinteriin, kiristä siten kahva kiertämällä sitä myötäpäivään haluttuun asentoon.

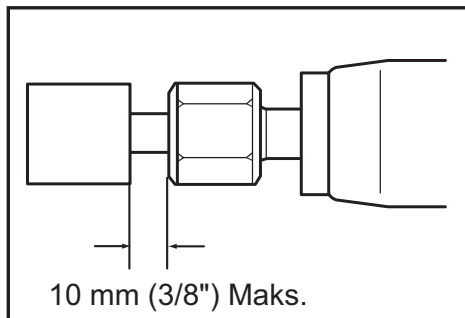
Karalaikan kiinnitys ja irrotus

► **Kuva4:** 1. Kiintoavain 19 2. Kiintoavain 13 3. Kiristysholkin mutteri

Löysää kiristysholkkia ja työnnä karalaikka holkkiin. Pidä karaa paikoillaan pienemmällä kiintoavaimella ja kiristä holkki isommalla.

Karalaikan etäisyys kiristysholkista saa olla enintään 10 mm. Tämän etäisyyden ylittäminen voi aiheuttaa tärinää tai akselin rikkoutumisen

Laikkapisteet poistetaan päivittäisessä järjestyksessä.



⚠️HUOMIO:

- Käytä oikean kokoista kiristysholkkia käyttävän karalaikan mukaan.

TYÖSKENTELY

► Kuva5

Käynnistä kone ilman, että karalaikka koskettaa työ-kappaleeseen, ja odota, kunnes karalaikka saavuttaa suurimman käyntinopeutensa. Vie karalaikan kärki työkalupäleeseen varovasti. Paras hiomajälki saadaan, kun konetta vedetään hitaasti vasemmalle.

⚠️HUOMIO:

- Paina konetta kevyesti työkalupälettä vasten. Liiallinen paine heikentää hiomajälkeä ja johtaa moottorin ylikuormitukseen.

KUNNOSSAPITO

⚠️HUOMIO:

- Varmista aina ennen tarkastuksia ja huoltotoimia, että laite on kone on sammutettu ja irrotettu virtalähteestä.
- Älä koskaan käytä bensiiniä, ohentimia, alkoholia tai tms. aineita. Muutoin pinta voi halkeilla tai sen värit ja muoto voivat muuttua.

Tuotteen TURVALLISUUDEN ja LUOTETTAVUUDEN säilyttämiseksi Makitan valtuutetun huoltokeskuksen tulee suorittaa korjaukset, hiiliharjojen tarkastus ja vaihto, sekä muut huolto- tai säätötyöt Makitan varaosia käyttäen.

LISÄVARUSTEET

⚠️HUOMIO:

- Näitä lisävarusteita ja -laitteita suositellaan käytettäväksi tässä ohjekirjassa mainitun Makitan koneen kanssa. Minkä tahansa muun lisävarusteen tai -laitteen käyttäminen voi aiheuttaa loukkaantumista. Käytä lisävarusteita ja -laitteita vain niiden käyttötarkoituksen mukaisesti.

Jos tarvitset apua tai yksityiskohtaisempia tietoja seuraavista lisävarusteista, ota yhteys paikalliseen Makitan huoltoon.

- Karalaikat
- Kiristysholkkisarja (3 mm, 6 mm, 1/4", 1/8")
- Ruuvipenkki
- Kiintoavain 13
- Kiintoavain 19
- Sivukahvasarja

HUOMAA:

- Jotkin luettelossa mainitut varusteet voivat sisältyä työkalun toimitukseen vakiovarusteina. Ne voivat vaihdella maittain.

SPECIFIKĀCIJAS

Modeļis		GD0800C	GD0810C
Ietvara izmērs		8 mm maks.	8 mm maks.
Maks. slīpēšanas uzgāja lielumš	Maks. slīpripas diametrs	25 mm	50 mm
	Maks. balstieliktna (kāta) garums	46 mm	46 mm
Nominālais ātrums (n) / tukšgaitas ātrums (n ₀)		28 000 (min ⁻¹)	7 000 (min ⁻¹)
Kopējais garums		371 mm	371 mm
Neto svars		1,7 kg	1,7 kg
Drošības klase		□/II	

- Dēļ mūsu nepārtrauktās pētniecības un izstrādes programmas, šeit dotās specifikācijas var mainīties bez brīdinājuma.
- Atkarība no valsts specifikācijas var atšķirties.
- Svārs atbilstoši EPTA-Procedure 01/2003

Paredzētā lietošana

Šis darbarīks ir paredzēts dzelzs materiālu slīpēšanai vai lējumu izlīdzināšanai.

Strāvas padeve

Darbarīks jāpievieno tikai tādai strāvas padevei, kuras spriegums ir tāds pats, kā norādīts uz plāksnītes ar nosaukumu, un to var ekspluatēt tikai ar vienfāzes maiņstrāvas padevi. Darbarīks aprīkots ar divkāršo izolāciju, tādēļ to var izmantot arī, pievienojot kontaktligzdai bez iezemējuma vada.

Troksnis

Tipiskais A-svērtais trokšņa līmenis ir noteikts saskaņā ar EN60745:

Modeļis GD0800C

Skaņas spiediena līmenis (L_{PA}): 78 dB (A)

Neskaidrība (K): 3 dB (A)

Darbības laikā trokšņa līmenis var pārsniegt 80 dB (A).

Modeļis GD0810C

Skaņas spiediena līmenis (L_{PA}): 77 dB (A)

Neskaidrība (K): 3 dB (A)

Darbības laikā trokšņa līmenis var pārsniegt 80 dB (A).

Lietojiet ausu aizsargus

Vibrācijas

Vibrācijas kopējā vērtība (trīs asu vektora summa) noteikta saskaņā ar EN60745:

Modeļis GD0800C

Darba režīms: virsmas slīpēšana

Vibrācijas emisija (a_h): 4,5 m/s²

Neskaidrība (K): 1,5 m/s²

Modeļis GD0810C

Darba režīms: virsmas slīpēšana

Vibrācijas emisija (a_h): 2,5 m/s² vai mazāk

Neskaidrība (K): 1,5 m/s²

PIEZĪME: Paziņotā vibrācijas emisijas vērtība noteikta atbilstoši standarta pārbaudes metodei un to var izmantot, lai salīdzinātu vienu darbarīku ar citu.

PIEZĪME: Paziņoto vibrācijas emisijas vērtību arī var izmantot iedarbības sākotnējā novērtējumā.

▲BRĪDINĀJUMS: Reāli lietojot mehānizēto darbarīku, vibrācijas emisija var atšķirties no paziņotās emisijas vērtības atkarībā no darbarīka izmantošanas veida.

▲BRĪDINĀJUMS: Lai aizsargātu lietotāju, nosakiet drošības pasākumus, kas pamatoti ar iedarbību reālos darba apstākļos (ņemot vērā visus ekspluatācijas cikla posmus, piemēram, laiku, kamēr darbarīks ir izslēgts un kad darbojas tukšgaitā, kā arī palaides laiku).

Tikai Eiropas valstīm

EK Atbilstības deklarācija

Makita paziņo, ka šāds instruments(-i):

Instrumenta nosaukums:

Spiednes slīpmašīna

Modeļa Nr./veids: GD0800C, GD0810C

Atbilst sekojošām Eiropas Direktīvām:
2006/42/EC

Ražots saskaņā ar šādu standartu vai normatīvajiem dokumentiem:
EN60745

Tehniskā lieta atbilstīgi 2006/42/EK ir pieejama:

Makita, Jan-Baptist Vinkstraat 2, 3070, Beļģija

28.2.2015



Yasushi Fukaya

Direktors

Makita, Jan-Baptist Vinkstraat 2, 3070, Beļģija

Vispārējie mehānizēto darbarīku drošības brīdinājumi

▲BRĪDINĀJUMS Izlasiet visus drošības brīdinājumus un visus norādījumus. Brīdinājumu un norādījumu neievērošanas gadījumā var rasties elektriskās strāvas trieciens, ugunsgrēks un/vai nopietnas traumas.

Glabājiet visus brīdinājumus un norādījumus, lai varētu tajos ieskatīties turpmāk.

DROŠĪBAS BRĪDINĀJUMI ŠTANCĒŠANAS SLĪPMAŠĪNAS LIETOŠANAI

Vispārīgi drošības brīdinājumi attiecībā uz slīpēšanas darbu:

1. **Šo mehanizēto darbarīku paredzēts lietot kā slīpmašīnu.** Izlasiet visus drošības brīdinājumus, norādījumus, attēlus un tehniskos datus, kas atrodas šī mehanizētā darbarīka komplektācijā. Ja netiek ievēroti visi turpmāk redzami noteikumi, var saņemt elektriskās strāvas triecienu, izraisīt ugunsgrēku un/vai gūt nopietnu ievainojumu.
2. **Ar šo mehanizēto darbarīku nav ieteicams veikt smalku slīpēšanu, apstrādi ar stieplu sukām, pulēšanu un nogriešanu.** Veicot darbības, kam šis mehanizētais darbarīks nav paredzēts, var rasties bīstami apstākļi un gūt ievainojumus.
3. **Lietojiet tikai darbarīka ražotāja īpaši izgatavotos un ieteiktos piederumus.** Kaut arī piederumu ir iespējams piestiprināt pie darbarīka, tā lietošana nav droša.
4. **Piederuma nominālajam ātrumam jābūt vismaz vienādam ar maksimālo ātrumu, kas atzīmēts uz mehanizētā darbarīka.** Piederumi, kas kustas ātrāk par nominālo ātrumu, var salūzt un nolidot nost.
5. **Piederuma ārējā diametram un biežumam jāatbilst mehanizētā darbarīka jaudas aprēķinam.** Nepareiza izmēra piederumus nevar atbilstoši vadīt.
6. **Piederumu vārpstas lielumam jābūt atbilstošam mehanizētā darbarīka ietvaram.** Piederumi, kas neatbilst mehanizētā darbarīka montāžas aparatūrai, ir nestabili, pārmērīgi vibrē un var izraisīt kontroles zaudēšanu.
7. **Piederumiem ar balstieliktni jābūt pilnībā ievietotam ietvarā vai spļipatronā.** Ja balstieliktnis neturas pietiekami stingri un/vai ripas pārkare ir pārāk liela, piestiprinātais piederums var kļūt vaļīgs un to var izsviest lielā ātrumā.
8. **Nedrīkst lietot bojātu piederumu.** Pirms katras ekspluatācijas reizes pārbaudiet piederumus, piemēram, vai abrazīvās ripās nav skaidu un plaisu. Ja mehanizētais darbarīks vai piederums ticis nomests, pārbaudiet, vai nav bojājumu, vai piestipriniet nebojātu piederumu. Kad pārbaude ir veikta un piederums ir piestiprināts, gan jums, gan apkārtējām personām jāstāv drošā attālumā no piederuma rotēšanas zonas, bet mehanizētais darbarīks vienu minūti jādarbina maksimālajā ātrumā bez noslodzes. Bojāti piederumi šajā pārbaudes laikā parasti salūzt.
9. **Valkājiet personīgo aizsargaprīkojumu.** Atkarībā no veicamā darba valkājiet sejas aizsargu, aizsargbrilles vai brilles. Ja vajadzīgs, valkājiet putekļu masku, ausu aizsargus, cimdus un darba priekšautu, kas aiztur mazas abrazīvās vai materiāla daļiņas. Acu aizsardzības aprīkojumam jāaiztur lidojoši netīrumi, kas rodas dažādu darbu veikšanas laikā. Putekļu maskas vai respiratora filtram jāaiztur darba laikā radušās daļiņas. Ilgstoša ļoti intensīva trokšņa iedarbībā varat zaudēt dzirdi.
10. **Uzmaniet, lai apkārtējās personas atrastos drošā attālumā no darba vietas.** Ikvienam, kas atrodas darba vietā, jāvalkā personīgais aizsargaprīkojums. Apstrādājamā materiāla vai bojāta piederuma daļiņas var aizlidot un izraisīt ievainojumus tiem, kas atrodas darba vietas tuvumā.
11. **Veicot darbu, turiet mehanizēto darbarīku tikai aiz izolētajām satveršanas virsmām, ja griešanas piederums varētu saskarties ar aplēptu elektroinstalāciju vai ar savu vadu.** Ja griešanas piederums saskarsies ar vadu, kurā ir strāva, visas mehanizētā darbarīka ārējās metāla virsmas vadīs strāvu un radīs elektriskās strāvas triecienu risku.
12. **Iedarbināšanas laikā vienmēr turiet darbarīku stingri savās rokās.** Motora reaktīvais griezes moments, tam sasniedzot pilnu ātrumu, var likt darbarīkam sagriezties.
13. **Kad iespējams, apstrādājamā materiāla atbalstam izmantojiet skavas.** Izmantojot darbarīku, nekad neturiet apstrādājamo materiālu vienā rokā un darbarīku otrā. Maza apstrādājamā materiāla nostiprināšana ļauj izmantot rokas, lai kontrolētu darbarīku. Griežu apalu materiālu, piemēram, tapas, caurules vai cauruļvadus, tiem ir tendence velties, un tas var izraisīt uzgaļa iestrēgšanu vai izsviešanu lietotāja virzienā.
14. **Novietojiet vadu tā, lai tas nepieskartos rotējošam piederumam.** Ja zaudēsiet vadību, vadu var pārgriezt vai aizķert, bet jūsu roku var ieraut rotējošajā piederumā.
15. **Mechanizēto darbarīku nedrīkst nolikt malā, līdz piederums nav pilnībā pārstājis darboties.** Rotējošais piederums var satvert vīrsmu un izraut mehanizēto darbarīku jums no rokām.
16. **Pēc uzgaļu nomaiņas vai regulēšanas pārbaudiet, vai ietvara uzgrieznis, spļipatrona vai citas regulēšanas ierīces ir cieši pieskrūvētas.** Vaļīgas regulēšanas ierīces var negaidīti pārvietoties, izraisot kontroles zudumu, bet vaļīgas daļas tiks spēcīgi izsviestas.
17. **Mechanizēto darbarīku nedrīkst darbināt, kad pārnēsājat to virzienā pret sevi.** Ja apgērbis nejausi pieskaras rotējošajam piederumam, tas var tikt satverts, piederumu ievēlot jūsu ķerment.
18. **Regulāri tīriet mehanizētā darbarīka gaisa ventīļus.** Motora ventilators ievēl putekļu korpusā un pārmērīga pulverveida metāla uzkrāšanās var izraisīt elektrības sistēmas bojājumus.
19. **Mechanizēto darbarīku nedrīkst darbināt viegli uzliesmojošu materiālu tuvumā.** Dzirksteles var aizdedzināt šos materiālus.
20. **Nelietojiet tādus piederumus, kam vajadzīgi dzesēšanas šķidrums.** Lietojot ūdeni vai citus dzesēšanas šķidrums, var gūt nāvējošu triecienu vai elektriskās strāvas triecienu.

Atsitiens un ar to saistīti brīdinājumi

Atsitiens ir pēkšņa reakcija uz iesprūdušu vai aizķērušos rotējošu piederumu. Iesprūšana vai aizķeršanās izraisa pēkšņu rotējošā piederuma apstāšanos, kas, savukārt, izraisa nekontrolētu mehanizētā darbarīka grūdienu pretēji piederuma rotācijas virzienam.

Piemēram, ja abrazīvā ripa tiek iespiesta vai aizķeras apstrādājamā materiālā, ripas mala, kas tiek ievadīta iesprūšanas brīdī, var ieurbties materiāla virsmā, liekot ripai izkļūt no tā vai izraisot atsitienu. Ripas saskares brīdī var izlekt operatora virzienā vai prom no viņa, atkarībā no ripas kustības virziena iesprūšanas brīdī. Abrazīvās ripas šādos apstākļos var arī salūzt.

Atsitiens rodas darbarīka nepareizas lietošanas un/vai nepareizas darbības vai apstākļu rezultātā, un no tā var izvairīties, veicot piemērotus drošības pasākumus, kā norādīts zemāk.

- a) **Saglabājiet mehanizētā darbarīka ciešu tvērienu un novietojiet ķermeni un rokas tā, lai pretotos atsitienu spēkam.** Operators var kontrolēt atsitienu spēku, ja veic piemērotus piesardzības pasākumus.
- b) **Īpaši uzmanieties apstrādājot stūrus, asas malas u. c. Nepieļaujiet piederuma atlekšanu un aizķeršanos.** Stūri, asas malas vai atlekšana parasti izraisa rotējošā piederuma aizķeršanos un var radīt kontroles zaudēšanu vai atsitienu.
- c) **Nepievienojiet zobaino zāga asmeni.** Šādi asmeņi izraisa biežus atsitienu un kontroles zaudēšanu.

d) **Vienmēr virziet uzgali materiālā tādā pašā virzienā kādā griešanas mala izvīzās no materiāla (t. i., tajā pašā virzienā, kurā izlec skaidas).** Ja darbarīku virza nepareizā virzienā, uzgaļa griešanas mala var iznākt no apstrādājamā materiāla un pavilkt darbarīku uzgaļa virzīšanas virzienā.

Īpaši drošības brīdinājumi attiecībā uz slīpēšanu:

- a) **Izmantojiet tikai tādas ripas, kas ieteiktas šim mehanizētajam darbarīkam un tikai ieteiktajam pielietojumam.**
- b) **Rokas nedrīkst atrasties vienā līnijā ar rotējošo ripu un aiz tās.** Kad darba laikā ripa pārvietojas virzienā prom no jūsu rokas, iespējama atsitiens var novirzīt rotējošo ripu un mehanizēto darbarīku tieši jūsu virzienā.

Papildu drošības brīdinājumi:

21. **Darbarīku ir paredzēts izmantot ar abrazīviem slīpēšanas uzgaliem (slīpēšanas akmeņiem), kas ir neņemami piestiprināti pie gludiem balstieliktniņiem (kājiņām) bez vītnes.**
22. **Pārliecinieties, ka slīpripa nepieš apstrādājamai virsmai pirms slēdža ieslēgšanas.**
23. **Pirms īsta materiāla apstrādāšanas darbiniet darbarīku kādu brīdi tukšgaitā. Pievērsiet uzmanību tam, vai nav novērojama vibrācija vai svārstīšanās, kas varētu norādīt uz nekvalitatīvu uzstādīšanu vai nepareizi līdzsvarotu ripu.**
24. **Lai veiktu slīpēšanu, izmantojiet tam paredzēto slīpripas virsmu.**
25. **Sargieties no dzirkstelēm. Turiet darbarīku tā, lai novirzītu dzirksteles cilvēkiem un viegli uzliesmojošiem materiāliem pretējā virzienā.**
26. **Neatstājiet ieslēgtu darbarīku. Darbiniet darbarīku vienīgi tad, ja turat to rokās.**
27. **Neskarīties pie apstrādājamas detaļas tūlīt pēc darba izpildes; tā var būt ārkārtīgi karsta un var apdedzināt ādu.**
28. **Ievērojiet ražotāja norādījumus slīpripu pareizai montāžai un lietošanai. Apejieties ar slīpripām uzmanīgi un uzglabājiet tās saudzīgi.**
29. **Pārbaudiet, vai apstrādājamā detaļa ir pienācīgi atbalsfīta.**
30. **Ja darba vietā ir augsta temperatūra un liels mitrums, vai tā ir stipri piesārņota ar vadītspējīgiem putekļiem, izmantojiet īssavienojuma pārtraucēju (30 mA), lai garantētu operatora drošību.**

31. **Neizmantojiet instrumentu darbam ar jebkādiem materiāliem, kuri satur azbestu.**
32. **Vienmēr nodrošiniet stabilitu pamatu kājām. Ja lietojat darbarīku augstumā, pārliecinieties, vai apakšā neviena nav.**

SAGLABĀJIET ŠOS NORĀDĪJUMUS.

▲BRĪDINĀJUMS: NEZAUDĒJIET modrību darbarīka lietošanas laikā (tas var gadīties pēc darbarīka daudzkārtējas izmantošanas), rūpīgi ievērojiet urbšanas drošības noteikumus šim izstrādājumam. NEPAREIZAS LIETOŠANAS vai šīs rokasgrāmatas drošības noteikumu neievērošanas gadījumā var gūt smagas traumas.

FUNKCIJU APRAKSTS

▲UZMANĪBU:

- Pirms regulējat vai pārbaudāt instrumenta darbību, vienmēr pārliecinieties, vai instruments ir izslēgts un atvienots no barošanas.

Slēdža darbība

► **Att. 1:** 1. Slīdslēdzis

▲UZMANĪBU:

- Pirms darbarīka pievienošanas barošanas avotam, vienmēr pārbaudiet, vai slīdslēdzis darbojas pareizi un atgriežas "OFF" (izslēgts) stāvoklī pēc slīdslēdža aizmugurējās daļas atlaišanas.

Lai iedarbinātu darbarīku, pārvietojiet slīdslēdzi "I (ON)" (ieslēgts) pozīcijas virzienā. Lai darbarīks darbotos nepārtraukti, nospiediet slīdslēdža priekšējo daļu, lai to nobloķētu.

Lai apturētu darbarīku, nospiediet slīdslēdža aizmugurējo daļu un pārvietojiet to "O (OFF)" (izslēgts) pozīcijas virzienā.

Ātruma regulēšanas skala

► **Att. 2:** 1. Ātruma regulēšanas skala

Lai izmainītu darbarīka ātrumu, regulēšanas ciparrīpa ir jāuzstāda vienā no stāvokļiem, kuri ir apzīmēti ar cipariem no 1 līdz 5.

Lai palielinātu ātrumu, ciparrīpa ir jāpagriež cipara 5 virzienā. Lai samazinātu ātrumu, tā ir jāpagriež cipara 1 virzienā.

Saistību starp cipara iestatījumu uz ciparrīpas un aptuveno darbarīka griešanās ātrumu skatiet šai tabulā.

	GD0800C	GD0810C
Cipars	min ⁻¹ (apgriezieni minūtē)	min ⁻¹ (apgriezieni minūtē)
1-2	7 000 - 10 000	1 800 - 2 400
2-3	10 000 - 17 000	2 400 - 4 100
3-4	17 000 - 24 000	4 100 - 5 800
4-5	24 000 - 28 000	5 800 - 7 000

⚠UZMANĪBU:

- Ja darbarīku regulāri ilgstoši darbināsi ar mazu ātrumu, dzinējs pārkarstīs, tādējādi sabojājot darbarīku.
- Ātruma regulēšanas skala var tikt griezta tikai no 1 līdz 5. Nemēģiniet ar spēku to pagriezt tālāk, tā varat sabojāt instrumentu.

MONTĀŽA

⚠UZMANĪBU:

- Vienmēr pārliecinieties, vai instruments ir izslēgts un atvienots no barošanas, pirms veicat jebkādas darbības ar instrumentu.

Sānu roktura uzstādīšana

Vienmēr izmantojiet sānu rokturi, lai garantētu darba drošību.

► **Att.3:** 1. Sānu rokturis

Uzstādiet sānu rokturi pie darbarīka korpusa, pēc tam to pievelciet, griežot pulksteņrādītāja virzienā līdz vēlamajam stāvoklim.

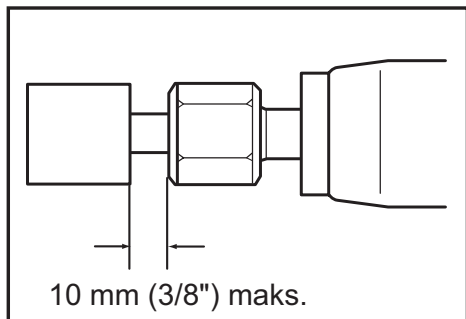
Slīpēšanas uzgaļa uzstādīšana un noņemšana

► **Att.4:** 1. Uzgriežņu atslēga 19 2. Uzgriežņu atslēga 13 3. Ietvara uzgrieznis

Atskrūvējiet ietvara uzgriezni un ievietojiet slīpēšanas uzgali tajā. Lai turētu vārpstu, izmantojiet mazāko uzgriežņu atslēgu, bet lielāko izmantojiet, lai cieši pieskrūvētu uzgriezni.

Slīpēšanas uzgali nedrīkst pievienot tālāk par 10 mm no ietvara uzgriežņa. Ja šis attālums ir lielāks, var rasties vibrācija vai vārpsta var salūzt.

Lai noņemtu slīpēšanas uzgali, izpildiet iepriekš aprakstīto uzstādīšanas procedūru apgrieztā secībā.



⚠UZMANĪBU:

- Slīpēšanas uzgali, ko izmantojat, uzstādiet pareizā izmēra ietvara konusu.

EKSPLUATĀCIJA

► **Att.5**

Ieslēdziet darbarīku, slīpēšanas uzgalim neskarot apstrādājamo materiālu, un nogaidiet, kamēr slīpēšanas uzgali darbojas ar pilnu jaudu. Pēc tam slīpēšanas uzgali uzmanīgi pietuviniet apstrādājamam materiālam. Lai iegūtu labu darba rezultātu, virziet darbarīku lēnām pa kreisi.

⚠UZMANĪBU:

- Nedaudz uzspiediet uz darbarīka. Pārmērīgs spiediens var tikai pasliktināt iegūto rezultātu un radīt pārslodzi motoram.

APKOPE

⚠UZMANĪBU:

- Pirms veicat pārbaudi vai apkopi vienmēr pārliecinieties, vai instruments ir izslēgts un atvienots no barošanas.
- Nekad neizmantojiet gāzoliņu, benzīnu, atšķaidītāju, spirtu vai līdzīgus šķidrums. Tas var radīt izbalēšanu, deformāciju vai plaisas.

Lai uzturētu izstrādājuma DROŠĪBU un UZTICAMU darbību, remonts, oglekļa suku pārbaude un maiņa, jebkāda cita apkope vai regulēšana jāveic Makita pilnvarotiem apkopes centriem, vienmēr izmantojot Makita rezerves daļas.

PAPILDU PIEDERUMI

⚠UZMANĪBU:

- Šādi piederumi un rīki tiek ieteikti lietošanai ar šajā pamācībā aprakstīto Makita instrumentu. Jebkādu citu piederumu un rīku izmantošana var radīt traumu briesmas. Piederumu vai rīku izmantojiet tikai tā paredzētajam mērķim.

Ja jums vajadzīga palīdzība vai precīzāka informācija par šiem piederumiem, vērsieties savā tuvākajā Makita apkopes centrā.

- Slīpēšanas uzgali
- Ietvara konusu komplekts (3 mm, 6 mm, 1/4", 1/8")
- Skrūvspīļu tureklis
- Uzgriežņu atslēga 13
- Uzgriežņu atslēga 19
- Sānu roktura komplekts

PIEZĪME:

- Daži sarakstā norādītie izstrādājumi var būt iekļauti instrumenta komplektācijā kā standarta piederumi. Tie dažādās valstīs var būt atšķirīgi.

SPECIFIKACIJOS

Modelis		GD0800C	GD0810C
Įvorės dydis		Maks. 8 mm	Maks. 8 mm
Didž. disko antgalio dydis	Didž. disko skersmuo	25 mm	50 mm
	Didž. prakalos (jungiamosios dalies) ilgis	46 mm	46 mm
Nominalusis greitis (n) / greitis be apkrovos (n ₀)		28 000 (min ⁻¹)	7 000 (min ⁻¹)
Bendras ilgis		371 mm	371 mm
Neto svoris		1,7 kg	1,7 kg
Saugos klasė		□/II	

- Atliekame nepertraukiamus tyrimus ir nuolatos tobuliname savo gaminius, todėl čia pateikiamos specifikacijos gali būti keičiamos be įspėjimo.
- Įvairiose šalyse specifikacijos gali skirtis.
- Svoris pagal Europos elektrinių įrankių asociacijos nustatytą metodiką „EPTA -Procedure 01/2003“

Paskirtis

Šis įrankis skirtas geležies medžiagoms šlifuoti arba išlajoms šalinti.

Maitinimo šaltinis

Šį įrankį reikia jungti tik prie tokio maitinimo šaltinio, kurio įtampa atitinka nurodytą įrankio duomenų plokštelėje; galima naudoti tik vienfazį kintamosios srovės maitinimo šaltinį. Jie yra dvigubai izoliuoti, todėl gali būti naudojami prijungus prie elektros lizdų be atžeminimo laido.

Triukšmas

Tipiškas A svertinis triukšmo lygis nustatytas pagal EN60745:

Modelis GD0800C

Garso slėgio lygis (L_{PA}): 78 dB (A)

Paklaida (K): 3 dB (A)

Dirbant triukšmo lygis gali viršyti 80 dB (A).

Modelis GD0810C

Garso slėgio lygis (L_{PA}): 77 dB (A)

Paklaida (K): 3 dB (A)

Dirbant triukšmo lygis gali viršyti 80 dB (A).

Dėvėkite ausų apsaugas

Vibracija

Vibracijos bendroji vertė (trijų ašių vektorinė suma) nustatyta pagal EN60745:

Modelis GD0800C

Darbo režimas: paviršiaus šlifavimas

Vibracijos emisija (a_h): 4,5 m/s²

Paklaida (K): 1,5 m/s²

Modelis GD0810C

Darbo režimas: paviršiaus šlifavimas

Vibracijos emisija (a_h): 2,5 m/s² arba mažiau

Paklaida (K): 1,5 m/s²

PASTABA: Paskelbtasis vibracijos emisijos dydis nustatytas pagal standartinį testavimo metodą ir jį galima naudoti vienam įrankiui palyginti su kitu.

PASTABA: Paskelbtasis vibracijos emisijos dydis taip pat gali būti naudojamas preliminariai įvertinti vibracijos poveikį.

ĮSPĖJIMAS: Faktiškai naudojant elektrinį įrankį, keliamos vibracijos dydis gali skirtis nuo paskelbto dydžio, priklausomai nuo būdų, kuriais yra naudojamas šis įrankis.

ĮSPĖJIMAS: Siekiant apsaugoti operatorių, būtina įvertinti saugos priemones, remdamiesi vibracijos poveikio įvertinimu esant faktinėms naudojimo sąlygoms (atsižvelgdami į visas darbo ciklo dalis, pavyzdžiui, ne tik kiek laiko įrankis veikia, bet ir kiek kartų jis yra išjungiamas bei kai jis veikia be apkrovų).

Tik Europos šalims**ES atitikties deklaracija**

Bendrovė „Makita“ atsakingai pareiškia, kad šis įrenginys (-iai):

Mechanizmo paskirtis:

Šlifuoklis

Modelio Nr./ tipas: GD0800C, GD0810C

Atitinka šias Europos direktyvas:

2006/42/EC

Yra pagaminti pagal šį standartą arba normatyvinius dokumentus:

EN60745

Techninį dokumentą pagal 2006/42/EB galima gauti iš: Makita, Jan-Baptist Vinkstraat 2, 3070, Belgium (Belgija)

28.2.2015



Yasushi Fukaya

Direktorius

Makita, Jan-Baptist Vinkstraat 2, 3070, Belgium (Belgija)

Bendrieji perspėjimai darbui su elektriniais įrankiais

⚠️ **ĮSPĖJIMAS** Perskaitykite visus saugos įspėjimus ir instrukcijas. Nesilaikydami žemiau pateiktų įspėjimų ir instrukcijų galite patirti elektros smūgį, gaisrą ir/arba sunkų sužeidimą.

Išsaugokite visus įspėjimus ir instrukcijas, kad galėtumėte jas peržiūrėti ateityje.

ĮSPĖJIMAI DĖL TIESINIO ŠLIFUOKLIO SAUGOS

Saugumo įspėjimai, bendri šlifavimo procesams:

1. Šis el. įrankis yra numatytas funkcionuoti kaip šlifuo­k­lis. Perskaitykite visus saugumo įspėjimus, instrukcijas, iliustracijas bei technines sąlygas, pateikiamas kartu su šiuo elektriniu įrankiu. Nesugebėjimas laikytis žemiau išvardintų instrukcijų gali tapti elektros smūgio, gaisro ir/ar rimto sužeidimo priežastimi.
2. Šiuo elektriniu įrankiu nerekomenduojama vykdyti tokių operacijų, kaip smėlio barstymas, laidų valymas, poliravimas ar pjovimas. Operacijos, kurioms šis el. įrankis nebuvo sukurtas, gali sukelti pavojų bei sąlygoti susižeidimą.
3. Nenaudokite priedų, kurie nėra specialiai sukurti ir rekomenduojami įrankio gamintojo. Vien dėl to, kad priedą įmanoma pritaisyti prie jūsų elektrinio įrankio, tai negali užtikrinti saugios eksploatacijos.
4. Nominalus priedo greitis turi būti bent jau lygus maksimaliam greičiui, nurodytam ant elektrinio įrankio. Priedai, kurie veikia greičiau už nominalųjį greitį, gali sulūžti ir atsiskirti.
5. Priedo išorinis skersmuo ir storis turi atitikti elektrinio įrankio pajėgumo kategoriją. Netinkamo dydžio priedų negalima tinkamai apsaugoti apsauginiais gaubtais ar valdyti.
6. Priedų dydis turi tiksliai atitikti elektrinio įrankio įvorės dydį. Naudojami priedai, kurių dydis neatitinka elektrinio įrankio dalių, prie kurių jie montuojami, dydžio, išbalansuos įrankį, sukels pernelyg didelę vibraciją bei įrankio valdymo praradimą.
7. Prakalu montuojamus priedus privaloma įkišti į įvorę arba griebtuvą. Jeigu prakalas bus laikomas netinkamai ir (arba) per daug kyšod iš už disko, sumontuotas priedas gali atsilaisvinti ir dideliu greičiu sulėkti.
8. Nenaudokite sugadinto priedo. Kas kartą prieš naudojimą apžiūrėkite priedą, pvz., apžiūrėkite šlifavimo diskus dėl atplaišų bei įtrūkimų. Jeigu el. įrankis arba priedas buvo nukritęs, patikrinkite, ar jis neapgadintas, arba įtaisykite nesugadintą priedą. Patikrinę ir įtaisę priedą, atsistokite bei nuveskite stebinčiuosius toliau nuo besisukančio priedo plokštumos ir paleiskite elektrinį įrankį veikti maksimaliu greičiu be apkrovos 1 minutę. Paprastai per šį tikrinimo laiką pažeisti priedai turėtų suskilti.
9. Dėvėkite asmeninę apsaugos aprangą. Priklausomai nuo pritaikymo, naudokite apsauginį veido skydelį, tamsius arba apsauginius akinius. Kaip pridera, dėvėkite priešdukinę puskaukę,

klausos apsaugą, pirštines ir dirbtuvės prijuostę, sulai­kančią smulkius abrazyvus ar ruošinio skevel­dras. Akių apsauga turi sulaikyti skriejančias nuolau­žas, susidariusias įvairų operacijų metu. Priešdukinė puskaukė arba respiratorius turi filtruoti dalelytes, susidariusias jums vykdan­toje operacijoje. Dėl intensyvaus ilgalaikio triukšmo galima prarasti klausą.

10. **Laikykite stebinčiuosius toliau nuo darbo vietos. Kiekvienas, užeinantis į darbo vietą, turi dėvėti asmeninę apsaugos aprangą.** Ruošinio ar sulūžusio priedo skeveldros gali nuskrieti toliau ir sužeisti asmenis už tuo metu vykdomos operaci­jos zonas.
11. **Atlikdami darbus, kurių metu pjovimo ant­galis galėtų užkliudyti nematomą laidą arba savo paties laidą, laikykite elektrinį įrankį už izoliuotų paviršių.** Pjovimo antgaliai prisilietus prie „gyvo“ laido, neizoliuotos metalinės elektrinio įrankio dalys gali sukelti elektros smūgį ir nutrenkti operatorių.
12. **Ijungę įrankį, visada tvirtai jį laikykite ranka (-omis).** Didėjant variklio greičiui, variklio reakcinė sukimo jėga gali priversti įrankį sukintis.
13. **Ruošinį visada įtvirtinkite spaustuvais, kai tai tary įmanoma. Niekada nelaikykite mažo ruošinio viena ranka, o naudojamo įrankio – kita ranka.** Įtvirtinę mažą ruošinį spaus­tu­vais, įrankį galėsite valdyti abejomis rankomis. Pjaunami apvalūs ruošiniai, pavyzdžiui, strypai arba vamzdžiai, linkę sukintis; dėl to antgalis gali sulinkinti arba atšokti jūsų link.
14. **Saugiai atitraukite laidą nuo greitai besisukančio priedo.** Jei netektumėte savitvardos, galite perkirsti ar užkliudyti laidą, o jūsų plaštaką arba ranką gali įtraukti greitai besisukantis priedas.
15. **Niekada nepadėkite šio elektrinio įrankio, kol jo priedas nėra visiškai sustojęs.** Greitai besisukantis priedas gali užkabinti paviršių ir jūs galite nebesuvaldyti elektrinio įrankio.
16. **Pakeitę antgalius arba atlikę bet kokius regu­liavimo darbus, būtinai patikrinkite, ar tvirtai užveržta įvorės veržlė, griebtuvas arba kiti reguliavimo įtaisai.** Atsilaisvinę įtaisai gali neti­kėtai pasislinkti, todėl galite nesuvaldyti įrankio ir atsilaisvinę besisukančios dalys gali būti išsvies­tos didele jėga.
17. **Nenaudokite elektrinio įrankio laikydami jį sau prie šono.** Greitai besisukantis priedas gali atsitik­ti­nai užkabinti jūsų drabužius ir jus sužaloti.
18. **Reguliariai išvalykite elektrinio įrankio oro ventiliacijos angas.** Variklio ventiliatorius traukia dulkes iš korpuso vidurį ir dėl per didelės metalo dulkių sankaupų gali kilti su elektros āranga susi­jės pavojus.
19. **Nenaudokite elektrinio įrankio būdami neto­liese degių medžiagų.** Nuo kibirkščių degiosios medžiagos gali užsidegti.
20. **Nenaudokite priedų, kuriems reikalingi skysti aušinimo skysčiai.** Naudojant vandenį ar kitą skystį gali išstikti mirtina elektros trauma ar elektros smūgis.

Atatranka ir su ja susiję įspėjimai

Atatranka yra staigi reakcija į besisukančio priedo sugnybimą arba užkliuvimą. Suspaudimas arba sugrie­bimas sukelia staigų besisukančio priedo sulai­kymą,

dėl kurio nevaldomas elektrinis įrankis verčiamas judėti priešinga priedo sukimuisi kryptimi. Pavyzdžiui, jeigu šlifavimo diską suspaudžia ruošinys, disko kraštas, kuris patenka į suspaudimo tašką, gali įsikirsti į medžiagos paviršius ir dėl to diskas atšoks. Diskas gali atšokti į operatorių arba nuo jo; tai priklauso nuo disko sukimosi krypties suspaudimo metu. Šlifavimo diskas tokiomis sąlygomis gali ir sulūžti. Atatranka yra piktnaudžiavimo elektriniu įrankiu ir (arba) netinkamų darbo procedūrų ar sąlygų rezultatas, jos galima išvengti vadovaujantis toliau nurodytomis atsargumo priemonėmis.

- a) Tvirtai laikykite elektrinį įrankį ir stovėkite taip, kad jūsų kūnas bei ranka netrukdytų priešintis atatrankos jėgoms. Ėmęsis tinkamų atsargumo priemonių, operatorius gali suvaldyti atatrankos jėgas.
- b) Ypač saugokitės apdirbdami kampus, aštirus kraštus ir pan. Stenkitės priedo nesutrenkti ir neužkliudyti. Besisukantis priedas gali užsikabinti ar atsitrenkti į kampus, aštirus kraštus ir sukelti atatranką, o dėl to galima nebesuvaldyti įrankio.
- c) Nenaudokite dantyto pjovimo disko. Tokie diskai dažnai sukelia atatranką ir įrankio suvaldymo problemų.
- d) Visada stumkite antgalį į medžiagą ta kryptimi, kuria pjovimo kraštas išeina iš medžiagos (ta kryptimi, kuria lekia skiedros). Stumiant įrankį netinkama kryptimi, antgalio pjovimo kraštas iššoka iš ruošinio ir traukia įrankį šio tiekimo kryptimi.

Specifiniai saugumo įspėjimai šlifuojant:

- a) Naudokite tik šiam elektriniam įrankiui rekomenduojamų tipų diskus ir tik rekomenduojamiems darbams atlikti.
- b) Nelaikykite rankos vienoje linijoje su besisukančiu disku arba už jo. Kai diskas darbo metu juda nuo jūsų kūno, galima atatranka gali sviesti besisukančių diską ir elektrinį įrankį tiesiai į jus.

Papildomi saugos perspėjimai:

21. Šis įrankis skirtas naudoti su klijuotais šlifojamaisiais diskų antgaliais (šlifavimo akmenimis), sumontuotais ant vientisų nesriegiuotų prakalų (jungiamųjų dalių).
22. Prieš įjungdami jungiklį patikrinkite, ar diskas nesiliečia su ruošiniu.
23. Prieš naudodami įrankį darbui su tikru ruošiniu, kurį laiką įrankį palaikykite įjungtą. Stebėkite, ar nėra vibracijos ar klibėjimo, rodančio blogą surinkimą ar blogai subalansuotą diską.
24. Šlifavimui naudokite nurodyto paviršiaus diską.
25. Saugokitės kibirkščių. Laikykite įrankį taip, kad kibirkštys skristų toliau nuo jūsų ir kitų žmonių arba degių medžiagų.
26. Nepalikite veikiančio įrankio. Naudokite įrankį tik laikydami rankomis.
27. Nelieskite ruošinio iškart po naudojimo; jis gali būti itin karštas ir nudeginti odą.
28. Laikykites gamintojo nurodymų apie teisingą diskų uždėjimą ir naudojimą. Su diskais elkitės ir juos laikykite rūpestingai.
29. Patikrinkite, ar ruošinys yra tinkamai palaikomas.

30. Jei darbo vieta yra ypač karšta ir drėgna, arba labai užteršta laidžiomis dulkelėmis, naudokite užtrumpinimo pertraukiklį (30 mA), kad užtrumpintume naudojimo saugumą.
31. Nenaudokite įrankio su bet kokiais medžiagomis, kuriose yra asbesto.
32. Būtinai įsitikinkite, kad tvirtai stovite. Jei naudojate įrankį aukštai, įsitikinkite, kad apačioje nėra žmonių.

SAUGOKITE ŠIAS INSTRUKCIJAS.

⚠️ ĮSPĖJIMAS: NELEISKITE, kad patogumas ir gaminio pažinimas (igyjamas pakartotinai naudojant) susilpnintų griežtą saugos taisyklių, taikytinų šiam gaminiui, laikymąsi. Dėl NETINKAMO NAUDOJIMO arba saugos taisyklių nesilaikymo, kurios pateiktos šioje instrukcijoje galima rimtai susižeisti.

VEIKIMO APRAŠYMAS

⚠️ PERSPĖJIMAS:

- Prieš reguliuodami įrenginį arba tikrindami jo veikimą visada patikrinkite, ar įrenginys išjungtas, o laido kištukas - ištrauktas iš elektros lizdo.

Jungiklio veikimas

► **Pav.1:** 1. Stumdomas jungiklis

⚠️ PERSPĖJIMAS:

- Prieš įjungdami įrankį į elektros tinklą, visuomet patikrinkite, ar stumdomas jungiklis tinkamai įsijungia ir grįžta į išjungimo padėtį „OFF“, kai nuspaudžiamas jungiklio galas.

Jei norite įjungti įrankį, pastumkite stumdomą jungiklį į padėtį „I (ON)“. Jei norite dirbti be pertraukų, paspauskite stumdomo jungiklio priekį, kad užfiksuojumėte. Įrankiui sustabdyti paspauskite stumdomo jungiklio galą, tada nustumkite į išjungimo padėtį „O (OFF)“.

Greičio reguliavimo diskas

► **Pav.2:** 1. Greičio reguliavimo diskas

Sukimosi greitį galima keisti pasukant greičio reguliavimo ratuką prie norimo skaičiaus nuo 1 iki 5.

Greitis didėja, kai ratukas sukamas skaičiaus 5 kryptimi, o mažesnis greitis gaunamas sukant skaičiaus 1 kryptimi.

Žr. žemiau pateiktą lentelę, kad pamatytumėte ryšį tarp skaičiaus ant ratuko ir apytikslį sukimosi greitį.

	GD0800C	GD0810C
Skaičius	min ⁻¹ (apm)	min ⁻¹ (apm)
1-2	7 000 - 10 000	1 800 - 2 400
2-3	10 000 - 17 000	2 400 - 4 100
3-4	17 000 - 24 000	4 100 - 5 800
4-5	24 000 - 28 000	5 800 - 7 000

▲ PERSPĖJIMAS:

- Jeigu įrankis ilgą laiką nepertraukiamai veikia mažu greičiu, variklis bus perkrautas, ir dėl to įrankis gali blogai veikti.
- Greičio reguliavimo diską galima sukti tik iki 5 ir atgal iki 1. Nesukite jo toliau, nes gali sutrikti greičio reguliavimo funkcija.

SURINKIMAS

▲ PERSPĖJIMAS:

- Prieš taisydami įrenginį visada patikrinkite, ar jis išjungtas, o laido kištukas - ištrauktas iš elektros lizdo.

Šoninės rankenos montavimas

Visuomet naudokite šoninę rankeną, kad užtikrintumėte, kad naudotis yra saugu.

► **Pav.3:** 1. Šoninė rankena

Uždėkite šoninę rankeną ant įrankio veleno, po to pri-veržkite rankeną, nustatę ją norimoje padėtyje, sukdamė pagal laikrodžio rodyklę.

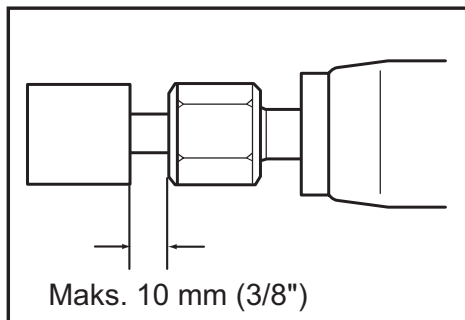
Antgalio sumontavimas ir nuėmimas

► **Pav.4:** 1. 19 nr. veržliaraktis 2. 13 nr. veržliaraktis 3. Įvorės veržlė

Atsukite įvorės veržlę ir įkiškite į ją antgalį. Mažesniu veržliarakčiu laikykite veleną, o didesniu tvirtai užveržkite įvorės veržlę.

Disko antgalis neturėtų išsikišti iš už įvorės veržlės daugiau nei 10 mm. Jeigu disko antgalis išsikiša daugiau, gali kilti vibracija arba sutrūkti velenas.

Norėdami nuimti antgalį, atlikite sumontavimo procedūrą atvirščia tvarka.



▲ PERSPĖJIMAS:

- Pasirinktam disko antgaliai naudokite tinkamo dydžio įvorės kūgį.

NAUDOJIMAS

► Pav.5

Įjunkite įrankį, antgaliu neliesdami ruošiniu ir palaikite, kol velenas pradės sukstis visu greičiu. Po to atsargiai nuleiskite antgalį ir šlifukite ruošinį. Norėdami, kad apdaila būtų kokybiška, lėtai traukite įrankį į kairę.

▲ PERSPĖJIMAS:

- Dirbdami truputį paspauskite įrankį. Per didelį įrankio spaudimas tik pablogins apdailos kokybę ir pernelyg apkraus variklį.

TECHNINĖ PRIEŽIŪRA

▲ PERSPĖJIMAS:

- Prieš apžiūrėdami ar taisydami įrenginį visada patikrinkite, ar jis išjungtas, o laido kištukas - ištrauktas iš elektros lizdo.
- Niekada nenaudokite gazolino, benzino, tirpiklio, spirito arba panašių medžiagų. Gali atsirasti išblukimų, deformacijų arba įtrūkimų.

Kad gaminys būtų SAUGUS ir PATIKIMAS, jį taisyti, apžiūrėti, keisti anglinius šepetėlius, atlikti techninės priežiūros darbus arba reguliuoti turi įgaliotasis kompanijos „Makita“ techninės priežiūros centras; reikia naudoti tik tai kompanijos „Makita“ pagamintas atsargines dalis.

PASIRENKAMI PRIEDAI

▲ PERSPĖJIMAS:

- Su šiaime vadove aprašytu įrenginiu „Makita“ rekomenduojama naudoti tik nurodytus priedus ir papildomus įtaisus. Jeigu bus naudojami kitiokie priedai ar papildomi įtaisai, gali būti sužaloti žmonės. Priedus arba papildomus įtaisus naudokite tik pagal paskirtį.

Jeigu norite daugiau sužinoti apie tuos priedus, kreipkitės į artimiausią „Makita“ techninės priežiūros centrą.

- Disko antgaliai
- Įvorės kūgio komplektas (3 mm, 6 mm, 1/4", 1/8")
- Spaustuvo laikiklis
- 13 nr. veržliaraktis
- 19 nr. veržliaraktis
- Šoninės rankenos komplektas

PASTABA:

- Kai kurie sąraše esantys priedai gali būti pateikti įrankio pakuotėje kaip standartiniai priedai. Jie įvairiose šalyse gali skirtis.

TEHNILISED ANDMED

Mudel		GD0800C	GD0810C
Tsangi suurus		Max 8 mm	Max 8 mm
Max lihvotsaku suurus	Max ketta läbimõõt	25 mm	50 mm
	Max saba (varre) pikkus	46 mm	46 mm
Nominaalne pöörlemissagedus (n) / pöörlemissagedus koormuseta (n ₀)		28 000 (min ⁻¹)	7 000 (min ⁻¹)
Kogupikkus		371 mm	371 mm
Netomass		1,7 kg	1,7 kg
Kaitseklass		□/II	

- Meie jätkuva teadus- ja arendustegevuse programmi tõttu võidakse siin antud tehnilisi andmeid muuta ilma ette teatamata.
- Tehnilised andmed võivad olla riigiti erinevad.
- Kaal vastavalt EPTA protseduurile 01/2003

Ettenähtud kasutamine

Tööriist on ette nähtud rauasulamist materjalide lihvimiseks või kraatide eemaldamiseks.

Toiteallikas

Seadet võib ühendada ainult andmesildil näidatud pingele vastava pingega toiteallikaga ning seda saab kasutada ainult ühefaasilisel vahelduvvoolutoitel. Seadmel on kahekordne isolatsioon ning seega võib seda kasutada ka ilma maandusjuhtmeta pistikupesasa ühendatult.

Müra

Tüüpiline A-korrigeeritud müratase vastavalt EN60745:

Mudel GD0800C

Müraarõhutase (L_{PA}): 78 dB (A)

Määramatus (K): 3 dB (A)

Müratase töötamisel võib ületada 80 dB (A).

Mudel GD0810C

Müraarõhutase (L_{PA}): 77 dB (A)

Määramatus (K): 3 dB (A)

Müratase töötamisel võib ületada 80 dB (A).

Kandke kõrvakaitsmeid

Vibratsioon

Vibratsiooni koguväärtus (kolmeteljeliste vektorite summa) määratud vastavalt EN60745:

Mudel GD0800C

Töörežiim: pinna lihvimine

Vibratsioonitase (a_h): 4,5 m/s²

Määramatus (K): 1,5 m/s²

Mudel GD0810C

Töörežiim: pinna lihvimine

Vibratsioonitase (a_h): 2,5 m/s² või vähem

Määramatus (K): 1,5 m/s²

MÄRKUS: Deklareeritud vibratsiooniemissiooni väärtus on mõõdetud kooskõlas standardse testimismeetodiga ning seda võib kasutada ühe seadme võrdlemiseks teisega.

MÄRKUS: Deklareeritud vibratsiooniemissiooni väärtust võib kasutada ka mürataseme esmaseks hindamiseks.

⚠ HOIATUS: Vibratsiooniitase võib elektritööriista tegelikkuses kasutamise ajal erineda deklareeritud väärtusest sõltuvalt tööriista kasutamise viisidest.

⚠ HOIATUS: Rakendage kindlasti operaatori kaitsmiseks piisavaid ohutusabinõusid, mis põhinevad hinnangulisel müratasemel tegelikus tööolutsioonis (võttes arvesse tööperioodi kõik osad nagu näiteks korrad, mil seade lülitatakse välja ja mil seade töötab tühikäigul, lisaks tööajale).

Ainult Euroopa riigid

EÜ vastavusdeklaratsioon

Makita deklareerib, et alljärgnev(ad) masin(ad):

Masina tähistus:

Lihvmasin

Mudeli nr/tüüp: GD0800C, GD0810C

Vastavad alljärgnevalele Euroopa Parlamendi ja nõukogu direktiividele:

2006/42/EC

Need on toodetud vastavalt järgmistele standarditele või standardiseeritud dokumentidele:

EN60745

Tehniline fail, mis on kooskõlas direktiiviga 2006/42/EÜ, on saadaval ettevõttes:

Makita, Jan-Baptist Vinkstraat 2, 3070, Belgia

28.2.2015



Yasushi Fukaya

Direktor

Makita, Jan-Baptist Vinkstraat 2, 3070, Belgia

Üldised elektritööriistade ohutushoiatused

⚠️ HOIATUS Lugege läbi kõik ohutushoiatused ja juhised. Hoiatuste ja juhiste mittejärgmine võib põhjustada elektrišokki, tulekahju ja/või tõsiseid vigastusi.

Hoidke alles kõik hoiatused ja juhised edaspidisteks viideteks.

LIHVIMISSEADME OHUTUSHOIATUSED

Tavapärased ohutushoiatused lihvimistööriistadele:

- Seda elektritööriista kasutatakse lihvimisseadmena. Lugege läbi kõik elektritööriistaga kaasasolevad ohutushoiatused, juhendid, illustatsioonid ja tehnilised andmed.** Kõigi juhendite täpne järgimine ennetab elektrilöögi, tulekahju ja/või tõsise vigastuse ohtu.
- Lihvimine, traatharjaga töötlemine, poleerimine või tükeldamine ei ole antud elektritööriista jaoks sobivad.** Selle tööriista jaoks mittesobivad tööd võivad olla ohtlikud ja põhjustada vigastusi.
- Ärge kasutage tarvikuid, mis pole tootja poolt selle tööriista jaoks spetsiaalselt välja töötatud.** Tarviku elektritööriistale kinnitamise võimalus ei taga veel selle ohutut tööd.
- Tarviku nimikiirus peab olema vähemalt võrdne elektritööriistale märgitud maksimaalse kiirusega.** Tarvikud, mis töötavad nimikiirusest suuremal kiirusel, võivad katki minna ja laiali lennata.
- Tarviku välisläbimõõt ja paksus peavad jääma elektritööriista võimsuse niimiandmete piiridesse.** Mittenõuetekohaste parameetritega tarvikuid ei saa korralikult kontrolli all hoida.
- Tarvikute võlli suurus peab õigesti sobituma elektritööriista tsangpadruniga.** Tarvikud, mis sobitu elektritööriista paigaldusseadisega, kaotavad tasakaalu, hakkavad liigselt vibreerima ja võivad kaotada juhitavuse.
- Sabaga tarvikud tuleb nende monteerimiseks sisestada tsangi või padrunisse lõpuni.** Kui saba ei ole korralikult kinni hoitud ja/või ketta üleulatamine on liiga pikk, võib paigaldatud tarvik vallanduda ja suure kiirusega eemale paiskuda.
- Ärge kasutage kahjustatud tarvikut.** Enne iga kasutuskorda kontrollige tarvikuid (nt abrasiivkettaid) võimalike tākete ja pragude leidmiseks. Kui elektritööriist on maha kukkunud, siis veenduge, et see pole kahjustunud või paigaldage kahjustamata tarvik. Pärast tarviku kontrollimist ja paigaldamist veenduge, et teie ise ja kõrvalseisjad ei jää pöörleva tarviku tööraadiusse ja laske elektritööriista ühe minuti jooksul maksimaalsel koormusvabal kiirusel töötada. Selle testi jooksul rebivad kahjustatud tarvikud end tavaliselt lahti.
- Kandke isiklikku kaitsevarustust. Sõltuvalt tööst kandke näokatet või kaitseprille.** Vajadusel kandke tolmumaski, kõvaklappe, kindaid ja põlle, mis suudab kaitsta väikeste abrasiivosakeste või töödeldava detaili kiludude eest. Silmakaitse peab pakkuuma kaitset lendava prügi eest, mis erinevate töödega kaasneb. Tolmumask või respiraator peab

filtrereima töö käigus eralduvaid materjaliosakesi. Pikaajaline kokkupuude müraga võib põhjustada kuulmiskadu.

- Hoidke kõrvalseisjad tööalast turvalises kauguses. Kõik, kes sisenevad tööalasse, peavad kandma kaitsevarustust.** Töödeldava detaili või tarvikute osakesed võivad eemale lennata ja põhjustada vigastusi ka väljaspool vahetut tööala.
- Hoidke elektritööriista ainult isoleeritud haardepindadest, kui töötate kohas, kus lõiketera võib sattuda kokkupuutesse varjatud juhtmete või seadme enda toitejuhtmega.** Pingeatud juhtmega kokkupuutesse sattunud lõiketera võib pingestada elektritööriista metallosi, mille tagajärjel võib seadme kasutaja saada elektrilöögi.
- Hoidke tööriista käivitamise ajal alati kindlalt käega (kättega) kinni.** Mootori reaktsioonimoment, mis käivitab kiirenduse täiskiiruseni, võib põhjustada tööriista väanlemise.
- Vajaduse korral kasutage klambreid töödeldava detaili toetamiseks. Ärge kunagi hoidke tööriista kasutamise ajal väikest töödeldavat detaili ühes käes ja tööriista teises käes.** Väikese töödeldava detaili kinnitamine võimaldab teil kätt (käsi) kasutada tööriista juhtimiseks. Ümarmaterjal, nagu tüübi ümartoorikud, torud või torujad detailid, kalduvad lõikamise ajal veerema ja võivad põhjustada otsaku kinnijäämist või teie suunas hüppamist.
- Hoidke juhe pöörlevast tarvikust eemal.** Kontrolli kaotamisel võib juhe katkeda või kinni jääda, tõmmates käe või käsivarre pöörlevasse tarvikusse.
- Ärge pange elektritööriista kunagi maha enne, kui tarviku liikumine pole täielikult peatunud.** Pöörlev tarvik võib pinnal liikumist jätkata, põhjustades elektritööriista väljumise teie kontrolli alt.
- Pärast otsakute vahetamist või mis tahes reguleerimiste teostamist veenduge, et tsangpadruni mutter, padrun või ükskõik missugune muu reguleerimisseade oleks korralikult pingutatud.** Lahtised reguleerimisseadmed võivad ootamatult nihkuda, põhjustades kontrolli kaotuse. Lahtised pöörlevad komponendid võidakse jõuliselt eemale paisata.
- Lülitage elektritööriist välja, kui seda oma küljel kannate.** Juhuslik kokkupuude pöörleva tarvikuga võib põhjustada riiete kinnijäämist ja tarviku teie kehasse tõmmata.
- Puhastage elektritööriista õhuavasid regulaarselt.** Mootori ventilator tõmbab tolmur korpusesse ja metallil olmu liigne kogunemine võib põhjustada elektriõhtu.
- Ärge kasutage seadete tuleohtlike materjalide lähedal.** Need materjalid võivad sademetest süttida.
- Ärge kasutage tarvikuid, mis nõuavad jahutusvedelikke.** Vee või teiste vedelate jahutusvahendite kasutamine võib põhjustada surmava elektrilöögi või -šoki.

Tagsilöökk ja sellega seotud hoiatused

Tagsilöökk on kinnikiilunud või kinnijäänud pöörleva tarviku ootamatu reaktsioon. Kinnikiilumine või kinnijäämine põhjustab pöörleva tarviku kiire seiskumise, mis omakorda sunnib juhitamatult elektritööriista pöörlema vastassuunas tarviku pöörlemise suunale. Näiteks kui lihvetas jäi või kiilus töödeldava detaili külge kinni, võib ketta serv, mis siseneb kinnikiilumise

kohta, tungida materjalipinda, mis põhjustab ketta väljalükkumise või väljalöögi. Ketas võib hüpata kasutaja poole või kasutajast eemale, sõltuvalt ketta liikumissuunast kinnikiilumiskohas. Lihvkettad võivad neis tingimustes samuti puruneda.

Tagasilöök on elektritööriista väärkasutuse ja/või valede tööoperatsioonide või -tingimuste tulemus, mida on võimalik vältida, järgides alljärgnevaid asjakohaseid ettevaatusabinõusid.

a) **Hoidke elektritööriista kindlas haardes ja seadke oma keha ning käsivars sellisesse asendisse, mis võimaldab teil tagasilöögijuududele vastu panna.** Operaator saab tagasilöögijuudusid kontrolli all hoida, kui kasutab õigeid ettevaatusabinõusid.

b) **Olge eriti ettevaatlik, kui töötlete nurki, teravad servi jne. Vältige tarviku tagasi pörgatamist ja kinni jäämist.** Nurgad, teravad servad või tagasi pörgatamine võivad põhjustada pöörleva tarviku kinnijäämise, mille tagajärjeks võib olla kontrolli kaotus või tagasilööök.

c) **Ärge kinnitage hambulist saetera.** Niisugused terad tekitavad sageli tagasilööki ja juhitavuse kaotust.

d) **Juhtige lõiketera materjali sisse samas suunas lõikeserva väljumise suunaga (mis on sama suund laastude väljapaiskamisega).** Tööriista ettenihke teises suunas põhjustab lõiketera lõikeserva välja hüppamise töödeldavast detailist ning tööriista tõmbamise selle ettenihke suunas.

Ohutushoiatused lihvimistööks:

a) **Kasutage ainult selliseid ketta tüüpe, mida on teie elektritööriista jaoks soovitatud ning kasutage neid ainult soovitatud tööde puhul.**

b) **Ärge seadke oma kätt pöörleva kettaga ühele joonele ega selle taha.** Kui ketas liigub käituse ajal teie käest eemale, võib tõenäoline tagasilööök pöörlevat ketast ja elektritööriista otse teie suunas liigutada.

Lisaturvahoitused:

- Tööriista on ette nähtud kasutamiseks liimitud abrasiivmaterjaliga kaetud lihvotsakuga (käiakivi), mis on jäädavalt monteeritud sileda, keermeteta saba (tööriista varred) külge.**
- Veenduge, et lihvketas ei puutuks enne tööriista sisselülitamist vastu töödeldavat detaili.**
- Enne tööriista kasutamist töödeldaval detailil laske sellel mõnda aega töötada. Jälgige vibratsiooni või vibamist, mis võib tähendada ebaõiget paigaldust või halvasti tasakaalustatud ketast.**
- Lihvimist teostage selleks ettenähtud ketta-pinna osaga.**
- Olge ettevaatlik lendvate sädemetega. Hoidke seadet nii, et sädemed lendaksid eemale nii teist, kaasinimestest kui ka tuleohtlikest materjalidest.**
- Ärge jätke tööriista käima. Käivitage tööriist ainult siis, kui hoiate seda käes.**
- Ärge puutuge töödeldavat detaili vahetult peale töötlemist; see võib olla väga kuum ja põhjustada põletushaavu.**
- Ketta õigeks paigaldamiseks ja kasutamiseks järgige valmistajapoolseid juhendeid. Käsitsege ja ladustage kettaid hoolikalt.**

- Kontrollige, kas töödeldav detail on korralikult kinnitatud.**
- Kui töökoht on äärmiselt kuum ja niiske või tugevalt saastatud elektrit juhtiva tolmuga, siis tuleb operaatori ohutuse tagamiseks kasutada lühisvoolukatset (30 mA).**
- Ärge kasutage tööriista asbesti sisaldavate materjalide töötlemiseks.**
- Veenduge alati, et teie jalgealune oleks kindel. Kui töötate kõrguses, siis jälgige, et teist allpool ei viibiks inimesi.**

HOIDKE JUHEND ALLES.

⚠ HOIATUS: ÄRGE laske mugavusel või toote kasutamisharjumusel (mis on saadud korduva kasutuse jooksul) asendada vankumatut toote ohutusekirjarde järgimist. VALE KASUTUS või käesoleva kasutusjuhendi ohutusnõuete eiramine võib põhjustada tõsiseid vigastusi.

FUNKTSIONAALNE KIRJELDUS

⚠ ETTEVAATUST:

- Kandke alati hoolt selle eest, et tööriist oleks enne reguleerimist ja kontrollimist välja lülitatud ja vooluvõrgust lahti ühendatud.

Lüliti funktsioneerimine

► Joon.1: 1. Liugurlüliti

⚠ ETTEVAATUST:

- Enne tööriista vooluvõrku ühendamist kontrollige alati, kas liugurlüliti funktsioneerib nõuetekohaselt ja liigub liugurlüliti tagumise osa lahtilaskmisel tagasi asendisse „OFF“.

Tööriista sisselülitamiseks libistage liugurlüliti asendi "I (ON)" suunas. Pidevaks töötamiseks vajutage lüliti lukustamiseks liugurlüliti esiosale. Tööriista seiskamiseks vajutage liugurlüliti tagaosale, seejärel libistage seda asendi "O (OFF)" suunas.

Kiiruseregulaator

► Joon.2: 1. Kiiruseregulaator

Tööriista kiirust saab muuta, kui pöörata kiiruse regulaatorketas numbritele 1-st 5-ni.

Kiirus suureneb, kui ketas osutab numbrile 5. Kiirus väheneb, kui pöörata ketast number 1 suunas. Vaadake tabelit, mis selgitab kettale märgitud numbreid ja ligikaudse pöörlemiskiiruse vahelisi seoseid.

	GD0800C	GD0810C
Number	min ⁻¹ (pööret minutis)	min ⁻¹ (pööret minutis)
1-2	7 000 - 10 000	1 800 - 2 400
2-3	10 000 - 17 000	2 400 - 4 100
3-4	17 000 - 24 000	4 100 - 5 800
4-5	24 000 - 28 000	5 800 - 7 000

⚠ETTEVAATUST:

- Kui tööriista kaua aega katkestamatult madalal kiirusel kasutatakse, tekib mootori ülekoormus, mis põhjustab tööriista tõrkeid.
- Kiiruseregulaatorit saab keerata ainult numbrini 5 ja tagasi numbrini 1. Ärge kiiruseregulaatorit jõuga üle 5 või 1 keerata püüdk, sest vastasel korral ei pruugi kiiruse reguleerimise funktsioon enam töötada.

KOKKUPANEK

⚠ETTEVAATUST:

- Kandke alati enne tööriistal mingite tööde teostamist hoolt selle eest, et see oleks välja lülitatud ja vooluvõrgust lahti ühendatud.

Külgakäepideme paigaldamine

Tööohutuse tagamiseks kasutage alati külgakäepidet.

► **Joon.3:** 1. Külgakäepide

Paigaldage külgakäepide tööriista trumli külge ning pingutage siis käepidet, keerates selle päripäeva soovitud asendisse.

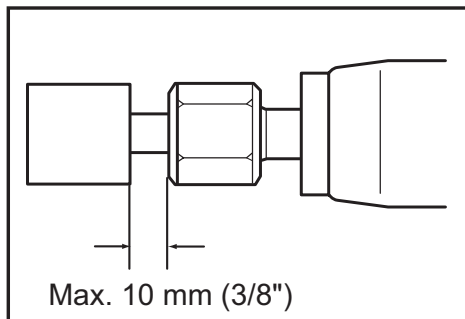
Lihvotsaku paigaldamine või eemaldamine

► **Joon.4:** 1. Mutrivõti nr 19 2. Mutrivõti nr 13 3. Tsangmutter

Lõdvendage tsangmutrit ja torgake lihvotsak tsangmutrisesse. Väiksema mutrivõtme abil hoidke varrast kinni ja suurema abil pingutage tugevasti tsangmutrit.

Lihvotsakut ei tohi paigaldada tsangmutrist kaugemale kui 10 mm. Selle kauguse ületamisel võib tekkida vibratsioon või varras puruneda.

Lihvotsaku eemaldamiseks järgige paigaldamise protseduuri vastupidises järjekorras.



⚠ETTEVAATUST:

- Tsangkoonuse suurus peab vastama kasutatavale lihvotsakule.

TÖÖRIISTA KASUTAMINE

► **Joon.5**

Lülitage tööriist sisse, vältides lihvotsaku kokkupuutumist töödeldava detailiga, ning oodake, kuni lihvotsak saavutab täiskiruse. Seejärel pange lihvotsak õrnalt vastu töödeldavat detaili. Et tulemus oleks kvaliteetne, nihutage tööriista aeglaselt vasakule.

⚠ETTEVAATUST:

- Rakendage tööriistale kergest survet. Tööriistale liiga tugeva surve rakendamisel saate rohmaka tulemuse ja koormate mootori üle.

HOOLDUS

⚠ETTEVAATUST:

- Kandke alati enne kontroll- või hooldustoimingute teostamist hoolt selle eest, et tööriist oleks välja lülitatud ja vooluvõrgust lahti ühendatud.
- Ärge kunagi kasutage bensiini, vedeldit, alkoholi ega midagi muud sarnast. Selle tulemuseks võib olla liitumine, deformatsioon või pragunemine.

Toote OHUTUSE ja TÖÖKINDLUSE säilimiseks tuleb vajalikud remonttööd, süsiharja kontrollimine ja väljavahetamine ning muud hooldus- ja reguleerimistööd lasta teha Makita volitatud teeninduskeskustes. Alati tuleb kasutada Makita varuosi.

VALIKULISED TARVIKUD

⚠ETTEVAATUST:

- Neid tarvikuid ja liseseadiseid on soovitatav kasutada koos Makita tööriistaga, mille kasutamist selles kasutusjuhendis kirjeldatakse. Muude tarvikute ja liseseadiste kasutamisega kaasneb vigastada saamise oht. Kasutage tarvikuid ja liseseadiseid ainult otstarvetel, milleks need on ette nähtud.

Saate vajadusel kohalikust Makita teeninduskeskusest liseteavet nende tarvikute kohta.

- Lihvotsakud
- Tsangkoonuste komplekt (3 mm, 6 mm, 1/4", 1/8")
- Kruustangihoidik
- Mutrivõti nr 13
- Mutrivõti nr 19
- Külgakäepideme moodul

MÄRKUS:

- Mõned nimekirjas loetletud tarvikud võivad kuuluda standardvarustusse ning need on lisatud tööriista pakendisse. Need võivad riikide lõikes erineda.

ТЕХНИЧЕСКИЕ ХАРАКТЕРИСТИКИ

Модель		GD0800C	GD0810C
Размер цангового патрона		Макс. - 8 мм	Макс. - 8 мм
Макс. размер дискового наконечника	Макс. диаметр диска	25 мм	50 мм
	Максимальная длина крепежной оправки (хвостовика)	46 мм	46 мм
Номинальное число оборотов (n) / Число оборотов без нагрузки (n ₀)		28 000 (мин ⁻¹)	7 000 (мин ⁻¹)
Общая длина		371 мм	371 мм
Вес нетто		1,7 кг	1,7 кг
Класс безопасности		II	

- Благодаря нашей постоянно действующей программе исследований и разработок, указанные здесь технические характеристики могут быть изменены без предварительного уведомления.
- Технические характеристики могут различаться в зависимости от страны.
- Масса в соответствии с процедурой EPTA 01/2003

Назначение

Данный инструмент предназначен для шлифовки изделий из черных металлов или удаления заусенцев с отливок.

Питание

Подключайте данный инструмент только к тому источнику питания, напряжение которого соответствует напряжению, указанному на паспортной табличке. Инструмент предназначен для работы от источника однофазного переменного тока. Он имеет двойную изоляцию и поэтому может подключаться к розеткам без заземления.

Шум

Типичный уровень взвешенного звукового давления (A), измеренный в соответствии с EN60745:

Модель GD0800C

Уровень звукового давления (L_{рA}): 78 дБ (A)

Погрешность (K): 3 дБ (A)

Уровень шума при выполнении работ может превышать 80 дБ (A).

Модель GD0810C

Уровень звукового давления (L_{рA}): 77 дБ (A)

Погрешность (K): 3 дБ (A)

Уровень шума при выполнении работ может превышать 80 дБ (A).

Используйте средства защиты слуха

Вибрация

Суммарное значение вибрации (сумма векторов по трем осям) определяется по следующим параметрам EN60745:

Модель GD0800C

Рабочий режим: шлифовка поверхности

Распространение вибрации (a_n): 4,5 м/с²

Погрешность (K): 1,5 м/с²

Модель GD0810C

Рабочий режим: шлифовка поверхности

Распространение вибрации (a_n): 2,5 м/с² или менее

Погрешность (K): 1,5 м/с²

ПРИМЕЧАНИЕ: Заявленное значение распространения вибрации измерено в соответствии со стандартной методикой испытаний и может быть использовано для сравнения инструментов.

ПРИМЕЧАНИЕ: Заявленное значение распространения вибрации можно также использовать для предварительных оценок воздействия.

▲ОСТОРОЖНО: Распространение вибрации во время фактического использования электроинструмента может отличаться от заявленного значения в зависимости от способа применения инструмента.

▲ОСТОРОЖНО: Обязательно определите меры безопасности для защиты оператора, основанные на оценке воздействия в реальных условиях использования (с учетом всех этапов рабочего цикла, таких как выключение инструмента, работа без нагрузки и включение).

Только для европейских стран

Декларация о соответствии ЕС

Makita заявляет, что следующее устройство (устройства):

Обозначение устройства:

Прямая Шлифмашина

Модель / тип: GD0800C, GD0810C

Соответствует (-ют) следующим директивам ЕС:
2006/42/EC

Изготовлены в соответствии со следующим стандартом или нормативными документами:
EN60745

Технический файл в соответствии с документом 2006/42/EC доступен по адресу:

Makita, Jan-Baptist Vinkstraat 2, 3070, Belgium



Ясуси Фукайа (Yasushi Fukaya)

Директор

Makita, Jan-Baptist Vinkstraat 2, 3070, Belgium

Общие рекомендации по технике безопасности для электроинструментов

⚠ ПРЕДУПРЕЖДЕНИЕ Ознакомьтесь со всеми инструкциями и рекомендациями по технике безопасности. Невыполнение инструкций и рекомендаций может привести к поражению электротоком, пожару и/или тяжелым травмам.

Сохраните брошюру с инструкциями и рекомендациями для дальнейшего использования.

ПРАВИЛА ТЕХНИКИ БЕЗОПАСНОСТИ ПРИ ЭКСПЛУАТАЦИИ ПРЯМОЙ ШЛИФМАШИНЫ

Правила техники безопасности при работе со шлифовальным кругом:

1. Данный электроинструмент предназначен для использования в качестве шлифовального круга. Ознакомьтесь со всеми предупреждениями, инструкциями, иллюстрациями и спецификациями, прилагаемыми к данному инструменту. Несоблюдение всех инструкций, указанных ниже, может привести к поражению электрическим током, пожару и/или серьезной травме.
2. Не рекомендуется применять этот инструмент для выполнения таких операций, как шлифовка наждачной бумагой, очистка волоочной щёткой, полировка или отрезание. Использование инструмента не по прямому назначению может привести к опасной ситуации и стать причиной травмы.
3. Не используйте принадлежности других производителей, не рекомендованные производителем данного инструмента. Даже если принадлежность удастся закрепить на инструменте, это не обеспечит безопасность эксплуатации.
4. Номинальная скорость принадлежностей должна быть как минимум равна максимальной скорости, обозначенной на инструменте. При превышении номинальной скорости принадлежностей последняя может разломиться на части.
5. Наружный диаметр и толщина принадлежностей должны находиться в пределах рабочего диапазона электроинструмента. Управление принадлежностью ненадлежащего размера невозможно.
6. Размер оправки принадлежностей должен в точности соответствовать цанге электроинструмента. Принадлежности, не соответствующие монтажному креплению электроинструмента, приведут к разбалансировке, сильной вибрации и потере контроля.
7. Принадлежности, устанавливаемые на крепёжную оправку, следует полностью вставить в цангу или зажимной патрон. Если крепёжная оправка затянута недостаточно или свес диска слишком большой, установленная принадлежность может высвободиться и будет выброшена с большой скоростью.
8. Не используйте поврежденные принадлежности. Перед каждым использованием осматривайте принадлежности (например, абразивный круг) на предмет сколов и трещин. Если вы уронили инструмент или принадлежность, осмотрите их на предмет повреждений или установите исправную принадлежность. После осмотра и установки принадлежности встаньте в безопасном положении от плоскости вращения принадлежности (и проследите, чтобы это сделали окружающие) и включите инструмент на максимальной скорости без нагрузки на одну минуту. Поврежденная принадлежность обычно ломается в течение пробного периода.
9. Надевайте индивидуальные средства защиты. В зависимости от выполняемых операций используйте защитную маску, защитные очки различных типов. При необходимости надевайте респиратор, средство защиты органов слуха, перчатки и защитный передник для защиты от небольших частиц абразивных материалов или детали. Средства защиты зрения должны предохранять от летящих фрагментов, появляющихся при выполнении различных операций. Пылезащитная маска или респиратор должны обеспечивать фильтрацию пыли, возникающей во время работы. Продолжительное воздействие сильного шума может стать причиной потери слуха.
10. Посторонние должны находиться на безопасном расстоянии от рабочего места. Любой приближающийся к рабочему месту должен предварительно надеть индивидуальные средства защиты. Осколки заготовки или сломавшейся принадлежности могут разлететься и причинить травму даже на значительном удалении от рабочего места.
11. Если при выполнении работ существует риск контакта режущего инструмента со скрытой электропроводкой или собственным шнуром питания, держите электроинструмент только за специально предназначенные изолированные поверхности. Контакт с проводом под напряжением приведет к тому, что металлические детали электроинструмента также будут под напряжением, что приведет к поражению оператора электрическим током.
12. Во время включения обязательно крепко удерживайте инструмент. Реактивный

вращающий момент электродвигателя при ускорении может вызвать проворачивание инструмента.

13. **По возможности используйте зажимы для закрепления заготовки.** Запрещается во время работы держать небольшую заготовку одной рукой, а инструмент другой. Зажатие небольшой детали освободит обе руки для управления инструментом. Круглый материал, такой как штыри, трубы или трубы, во время разрезания имеют тенденцию к вращению. В результате насадка может быть заклинена или отброшена в сторону оператора.
14. **Располагайте шнур питания на удалении от вращающейся принадлежности.** Если вы не удержите инструмент, возможно случайное разрезание или повреждение шнура, а также затягивание руки вращающейся принадлежностью.
15. **Не кладите инструмент, пока принадлежность полностью не остановится.** Вращающаяся насадка может коснуться поверхности, и вы не удержите инструмент.
16. **После смены насадки или регулировок проверьте надежность затяжки цанговой гайки, патрона или другого регулировочного устройства.** Незакрепленные регулировочные устройства могут неожиданно сместиться, вызвав потерю контроля, а ослабленные вращающиеся детали могут быть выброшены с большой силой.
17. **Не выключайте инструмент во время переноски.** Случайный контакт с вращающейся принадлежностью может привести к защемлению одежды и притягиванию принадлежности к телу.
18. **Регулярно очищайте вентиляционные отверстия инструмента.** Вентилятор электродвигателя засасывает пыль внутрь корпуса, а значительные отложения металлической пыли могут привести к поражению электрическим током.
19. **Не используйте инструмент вблизи горючих материалов.** Эти материалы могут воспламениться от искр.
20. **Не используйте принадлежность, требующие жидкостного охлаждения.** Использование воды или других охлаждающих жидкостей может привести к поражению электротоком.

Отдача и соответствующие предупреждения

Отдача – это неожиданная реакция зажатой или прихваченной принадлежности. Застревание или застопоривание вызывает резкую остановку вращающейся принадлежности, что, в свою очередь, приводит к неконтролируемому рывку инструмента в направлении, противоположном вращению принадлежности.

Например, если абразивный диск застопорится или застрянет в заготовке, край диска, входящий в точку заклинивания, может врезаться в поверхность материала, в результате чего диск поведет вверх или отбросит. Диск может совершить рывок в направлении оператора или обратно, в зависимости от направления перемещения диска в точке заклинивания. В такой ситуации абразивные диски могут даже сломаться.

Отдача – это результата неправильного использования электроинструмента и/или неправильных процедур или условий эксплуатации. Ее можно избежать, соблюдая предосторожности, указанные ниже.

- a) **Все время надежно удерживайте электроинструмент; становитесь так, чтобы противостоять силе отдачи.** Если принять необходимые меры предосторожности, оператор может контролировать силу отдачи.
- b) **Соблюдайте особую осторожность при обработке углов, острых краев и т. п. Не допускайте ударов и застревания насадки.** Углы, острые края и удары способствуют прихвачиванию вращающейся насадки, которое приводит к выходу из-под контроля или отдаче.
- c) **Не прикрепляйте дисковую пилу.** Такие пилы часто дают отдачу и вызывают потерю контроля.
- d) **Обязательно вводите насадку в материал в том же направлении, в котором режущий край выходит из материала (в этом же направлении выбрасываются стружки).** Ввод инструмента в неправильном направлении приведет к тому, что режущий край насадки будет выброшен из заготовки, и инструмент поведет в направлении подачи.

Особые правила техники безопасности при работе со шлифовальным кругом:

- a) **Используйте диски только рекомендованных типов для вашего электроинструмента и только по прямому назначению.**
- b) **Не располагайте руку на одной линии и позади вращающегося диска.** Если во время операции диск движется от вас, то при отдаче вращающийся диск и электроинструмент может отбросить прямо на вас.

Дополнительные предупреждения по безопасности:

21. **Инструмент предназначен для использования с абразивными дисковыми наконечниками (шлифовальными камнями), неподвижно закрепленными на плоской, нерезьбовой крепежной оправке (хвостовике).**
22. **Перед включением выключателя убедитесь, что диск не касается детали.**
23. **Перед тем как использовать инструмент для фактических работ, дайте ему немного поработать холостую. Следите за вибрацией или биением, которые могут свидетельствовать о неправильной установке или плохой балансировке диска.**
24. **Для выполнения шлифовки пользуйтесь соответствующей поверхностью диска.**
25. **Следите за образующимися искрами. Держите инструмент таким образом, что искры были направлены от вас, других лиц или горючих материалов.**
26. **Не оставляйте работающий инструмент без присмотра. Включайте инструмент только тогда, когда он находится в руках.**
27. **Сразу после окончания работ не прикасайтесь к обработанной детали. Она может быть очень горячей, что приведет к ожогам кожи.**

28. Соблюдайте инструкции изготовителя по правильной установке и использованию дисков. Бережно обращайтесь с дисками и аккуратно храните их.
29. Убедитесь, что обрабатываемая деталь имеет надлежащую опору.
30. Если в месте выполнения работ очень высокая температура и влажность или в ней содержится большое количество токопроводящей пыли, используйте прерыватель цепи (30 мА) для обеспечения безопасности работ.
31. Не используйте инструмент на любых материалах, содержащих асбест.
32. При выполнении работ всегда занимайте устойчивое положение. При использовании инструмента на высоте убедитесь в отсутствии людей внизу.

СОХРАНИТЕ ДАННЫЕ ИНСТРУКЦИИ.

⚠ОСТОРОЖНО: НЕ ДОПУСКАЙТЕ, чтобы удобство или опыт эксплуатации данного устройства (полученный от многократного использования) доминировали над строгим соблюдением правил техники безопасности при обращении с этим устройством. **НЕПРАВИЛЬНОЕ ИСПОЛЬЗОВАНИЕ** инструмента или несоблюдение правил техники безопасности, указанных в данном руководстве, может привести к тяжелой травме.

ОПИСАНИЕ ФУНКЦИОНИРОВАНИЯ

⚠ВНИМАНИЕ:

- Перед проведением регулировки или проверки работы инструмента всегда проверяйте, что инструмент выключен, а шнур питания вынут из розетки.

Действие выключателя

► **Рис. 1:** 1. Ползунковый переключатель

⚠ВНИМАНИЕ:

- Перед включением штекера инструмента в розетку питания, всегда проверяйте, что ползунковый переключатель работает надлежащим образом и возвращается в положение "ВЫКЛ" при нажатии на заднюю часть ползункового переключателя.

Для запуска инструмента переведите ползунковый переключатель в положение "I (ВКЛ)". Для непрерывной эксплуатации, нажмите на переднюю часть ползункового переключателя, чтобы заблокировать его. Для остановки инструмента, нажмите на заднюю часть ползункового переключателя, затем переведите его в положение "O (ВЫКЛ)".

Диск регулировки скорости

► **Рис.2:** 1. Поворотный регулятор скорости

Скорость инструмента можно изменять путем поворота диска регулировки скорости на значение с цифрой от 1 до 5.

Наибольшая скорость достигается, когда диск повернут в направлении цифры 5. А более низкая скорость достигается при повороте диска в направлении цифры 1.

Соотношение между цифровым значением на диске и примерной скоростью вращения показано в таблице.

Цифра	GD0800C	GD0810C
	мин ¹ (об/мин)	мин ¹ (об/мин)
1-2	7 000 - 10 000	1 800 - 2 400
2-3	10 000 - 17 000	2 400 - 4 100
3-4	17 000 - 24 000	4 100 - 5 800
4-5	24 000 - 28 000	5 800 - 7 000

⚠ВНИМАНИЕ:

- Если инструментом пользоваться непрерывно на низкой скорости в течение продолжительного времени, двигатель будет перегружен, и это приведет к поломке инструмента.
- Диск регулировки скорости можно поворачивать только до цифры 5 и обратно до 1. Не пытайтесь повернуть его дальше 5 или 1, так как функция регулировки скорости может выйти из строя.

МОНТАЖ

⚠ВНИМАНИЕ:

- Перед проведением каких-либо работ с инструментом всегда проверяйте, что инструмент выключен, а шнур питания вынут из розетки.

Установка боковой рукоятки

Для безопасного выполнения работ всегда держите инструмент за боковую рукоятку.

► **Рис.3:** 1. Боковая ручка

Установите боковую рукоятку на цилиндр инструмента, затем затяните рукоятку, повернув ее по часовой стрелке в нужном положении.

Установка или снятие дискового наконечника

► **Рис.4:** 1. Ключ на 19 2. Ключ на 13 3. Цанговая гайка

Ослабьте цанговую гайку и вставьте дисковый наконечник в цанговую гайку. Удерживая шпindel меньшим ключом, крепко затяните гайку большим ключом.

Дисковый наконечник следует устанавливать на расстоянии не более 10 мм от цанговой гайки.

Превышение этого расстояния приведет к вибрации или поломке вала.

Чтобы снять дисковый наконечник, выполните процедуру монтажа в обратном порядке.

ДОПОЛНИТЕЛЬНЫЕ ПРИНАДЛЕЖНОСТИ

⚠ ВНИМАНИЕ:

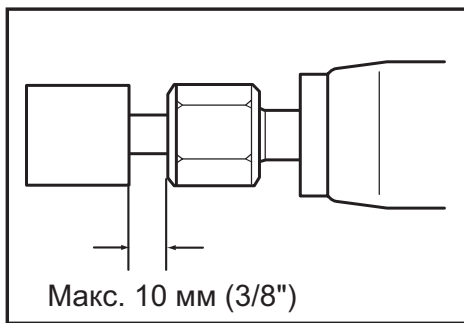
- Эти принадлежности или насадки рекомендуется использовать вместе с вашим инструментом Makita, описанным в данном руководстве. Использование каких-либо других принадлежностей или насадок может представлять опасность получения травм. Используйте принадлежность или насадку только по указанному назначению.

Если вам необходимо содействие в получении дополнительной информации по этим принадлежностям, свяжитесь со своим местным сервис-центром Makita.

- Дисковые наконечники
- Комплект цангового конуса (3 мм, 6 мм, 1/4", 1/8")
- Держатель тисков
- Ключ 13
- Ключ 19
- Комплект боковой рукоятки

ПРИМЕЧАНИЕ:

- Некоторые элементы списка могут входить в комплект инструмента в качестве стандартных приспособлений. Они могут отличаться в зависимости от страны.



⚠ ВНИМАНИЕ:

- Пользуйтесь цанговым конусом, размер которого соответствует дисковому наконечнику, который Вы намереваетесь использовать.

ЭКСПЛУАТАЦИЯ

► Рис.5

Включите инструмент, не касаясь дисковым наконечником обрабатываемой детали, и подождите, пока дисковый наконечник наберет полную скорость. Затем осторожно приложите дисковый наконечник к обрабатываемой детали. Для достижения хорошей отделки, медленно перемещайте инструмент влево.

⚠ ВНИМАНИЕ:

- Прилагайте небольшое давление к инструменту. Чрезмерное давление на инструмент приведет только к ухудшению отделки и перегрузке двигателя.

ТЕХОБСЛУЖИВАНИЕ

⚠ ВНИМАНИЕ:

- Перед проверкой или проведением техобслуживания убедитесь, что инструмент выключен, а штекер отсоединен от розетки.
- Запрещается использовать бензин, лигроин, растворитель, спирт и т.п. Это может привести к изменению цвета, деформации и появлению трещин.

Для обеспечения БЕЗОПАСНОСТИ и НАДЕЖНОСТИ изделия ремонт, проверка и замена угольных щеток и любые другие работы по техобслуживанию или регулировке должны осуществляться в уполномоченных сервис-центрах Makita с использованием запасных частей только производства компании Makita.

Makita Europe N.V. Jan-Baptist Vinkstraat 2,
3070 Kortenberg, Belgium

Makita Corporation 3-11-8, Sumiyoshi-cho,
Anjo, Aichi 446-8502 Japan

www.makita.com

884314E988
EN, SV, NO, FI, LV,
LT, ET, RU
20160629