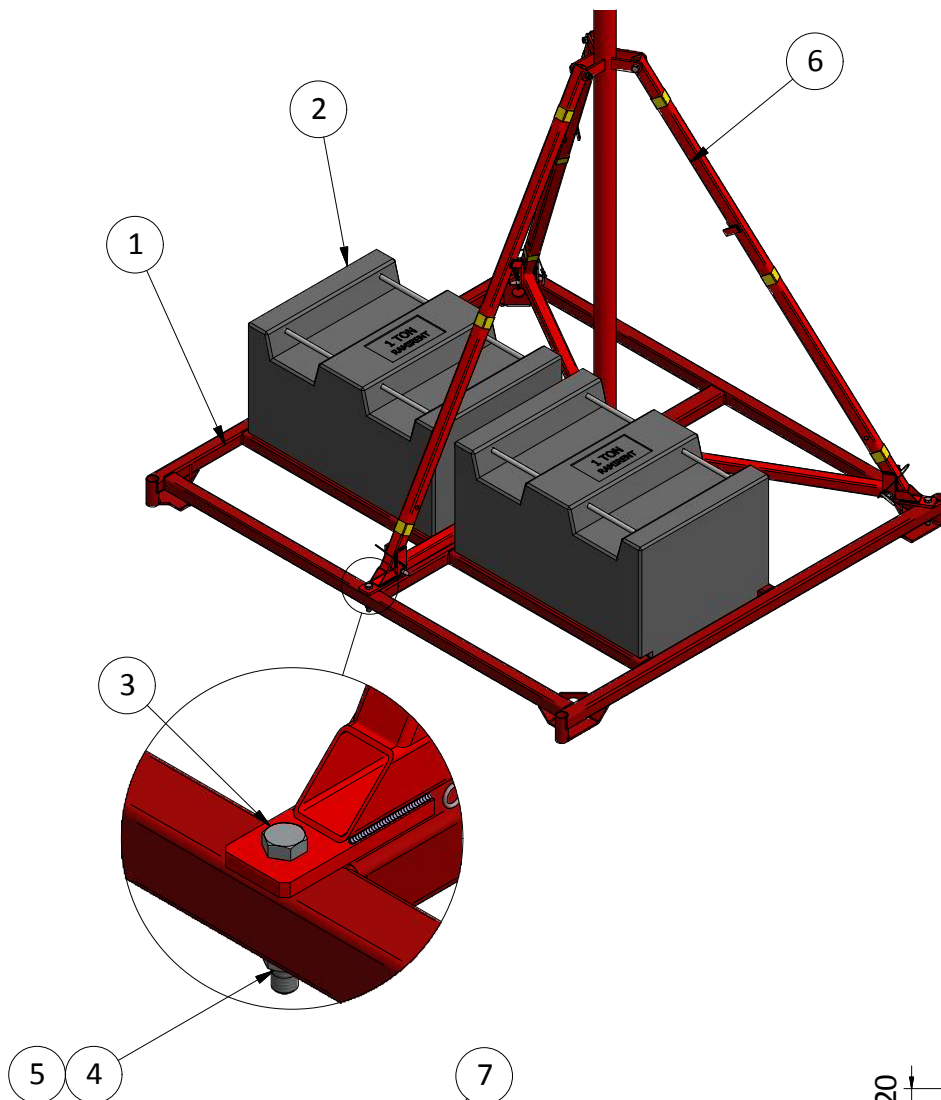


# I-GUIDE

## ALSIPERCHA TRIPOD BASE

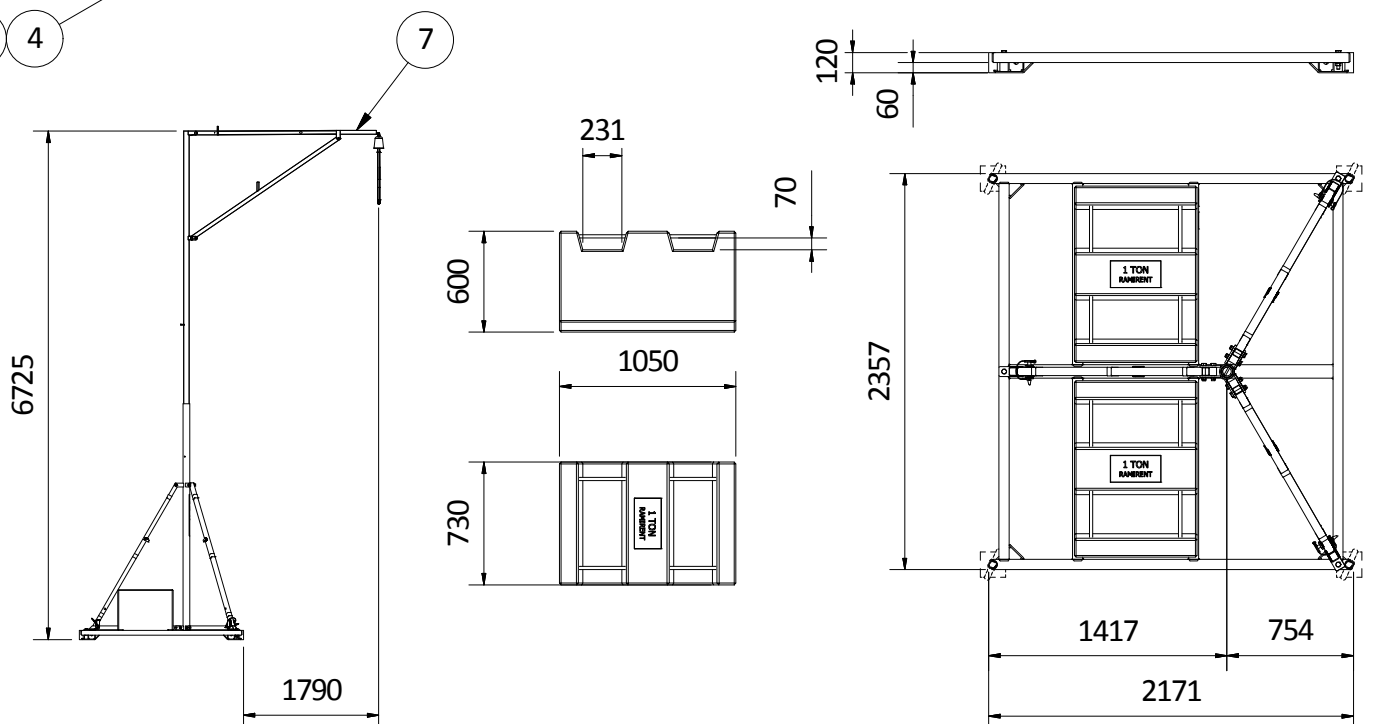


Base:  
Art nr 9-730-04-011  
Powder Coating  
114 kg

Concrete Weight:  
Art nr 9-730-04-019  
1 000 kg

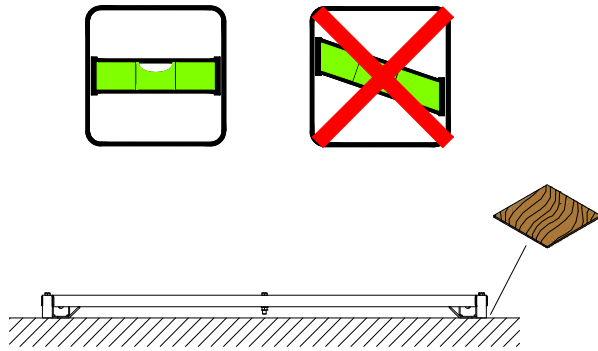
[mm]

ITEM	QTY	ART. NO
1	1	9-730-04-011
2	2	9-730-04-019
3	3	6-50-1-00042, Hex Bolt M18x100 (8.8-HDG)
4	3	6-51-1-0012, Hex Nut M18 (8-HDG)
5	3	6-52-1-00007, Washer M18 (HV200-HDG)
6	1	Tripod Alsipercha Puerto
7	1	Alsipercha

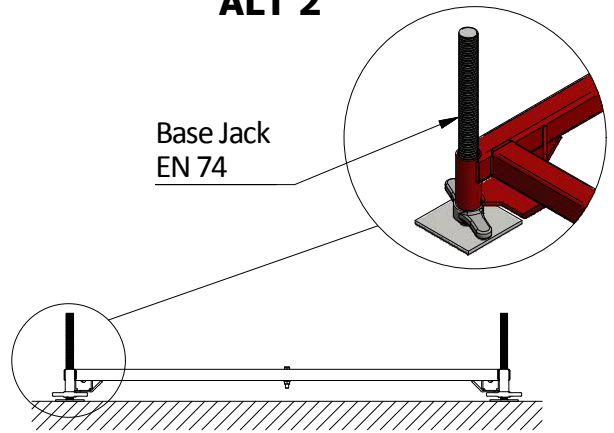


1.

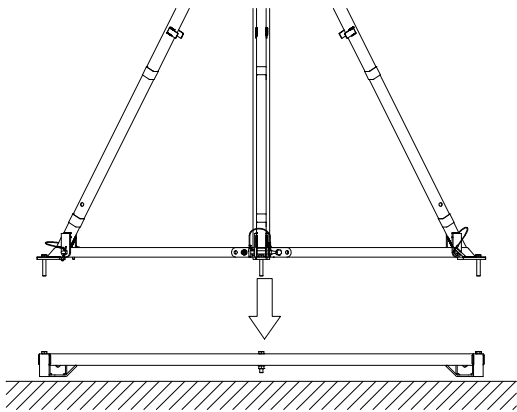
**ALT 1**



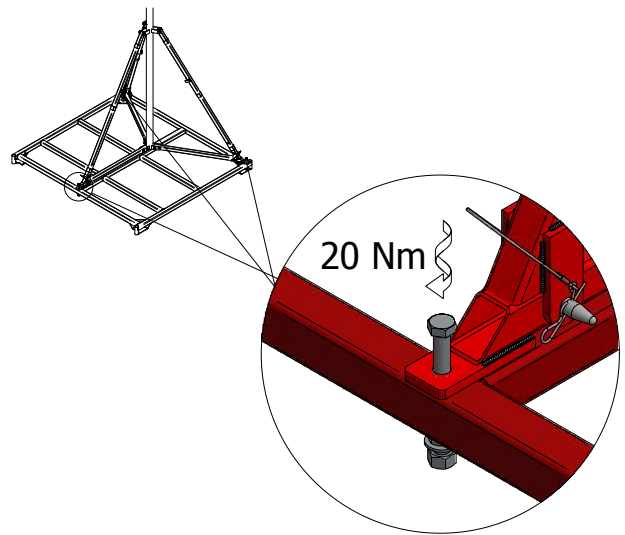
**ALT 2**



2.



3.



4.

