

KRS SERIES | High volume, extra durable pump available in a variety of sizes



KRS2-A3



KRS822

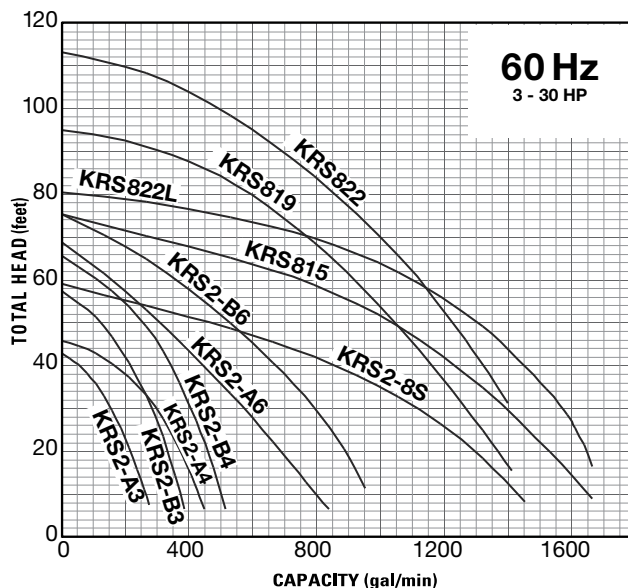
Material

Impeller:	Ductile or High Chrome
Casing:	Cast Iron
Mechanical Seal:	Silicon Carbide
Motor Frame:	Cast Iron
Shaft:	420 Stainless Steel
Fasteners:	304 Stainless Steel
Cable:	Chloroprene Sheath

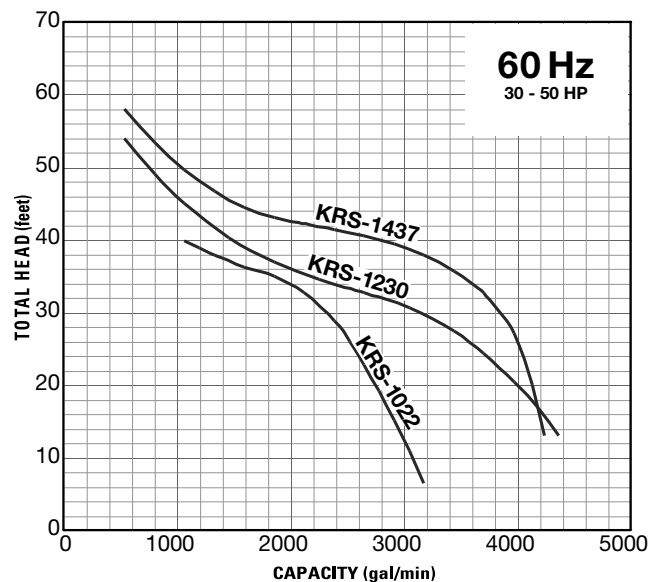
Features

- High Volume Pumping
- 4 Pole, 1800 RPM Motors
- 6 Pole, 1200 RPM Motors
- Lower Impeller Tip Speeds for Longer Life
- Rugged Iron Construction
- Anti-Wicking Cable Entrance
- Dual Silicon Carbide Mechanical Seals
- Oil Lifter
- Internal Thermal Motor Protection

Group Performance: 3 - 30HP



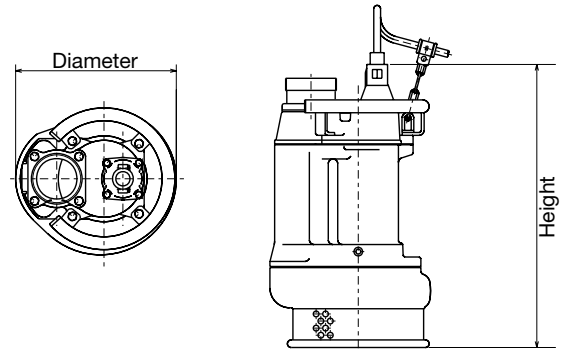
Group Performance: 30 - 50HP



KRS series offers longer wear life on parts due to the slower impeller tip speed provided by 4-pole, 1800 RPM / 6-pole, 1200 RPM motors. Reducing impeller speed by half will extend your parts wear life by at least 2 to 3 times.

The iron construction of KRS series extends the life of the pump. To prevent premature wear and failure from abrasive materials, Tsurumi's dual inside mechanical seals are completely isolated in an oil chamber with an extra lip seal to protect mechanical seals from the abrasives.

KRS series exemplifies Tsurumi's design for multi-purpose pumps to fit a wide variety of applications due to their simple construction, superb durability and high efficiency.



MODEL	MOTOR SPECIFICATIONS					Discharge Size (inch)	DIMENSION		Max. Solids Dia. (inch)	Continuous Running Water Level (in.)	Pump Weight (lbs.)	
	Output (HP)	Rated Current (A)					RPM	Diameter				Height
		208V	230V	460V	575V							
KRS2-A3	3	9.4	8.6	4.3	3.4	1700	3	13 3/8	23 5/8	0.472	5 3/4	159
KRS2-B3	5	15.0	13.8	6.9	5.5	1690	3	13 3/4	26 15/16	0.472	6 1/8	196
KRS2-A4	5	15.0	13.8	6.9	5.5	1690	4	13 3/4	26 15/16	0.472	6 1/8	194
KRS2-B4	7.5	21.4	19.6	9.8	7.6	1720	4	13 3/4	26 9/16	0.472	6 1/8	209
KRS2-A6	10	29	26	13	10.5	1730	6	16 5/16	27 13/16	0.787	6 7/8	286
KRS2-B6	15	42	39	19.5	14.5	1735	6	16 5/16	29 5/8	0.787	6 7/8	330
KRS2-8S	15	42	39	19.5	14.5	1735	8	18 9/16	33 3/8	1.18	11 3/4	383
KRS815	20	57.9	55.7	27.9	22.2	1735	8	18 15/16	38 9/16	0.984	10 7/8	530
KRS819	25	—	—	33.0	26.4	1750	8	22 11/16	47 1/4	0.984	13 5/8	790
KRS822	30	—	—	38.5	30.8	1745	8	22 11/16	47 1/4	0.984	13 5/8	840
KRS822L	30	—	—	38.5	30.8	1745	8	22 11/16	47 1/4	0.984	13 5/8	840
KRS1022	30	—	—	39.6	31.5	1730	10	20 5/8	49 1/8	0.984	17 3/4	860
KRS1230	40	—	—	53.0	43.0	1165	12	26 3/8	55 1/4	1.97	18 7/8	1540
KRS1437	50	—	—	65.0	52.0	1165	14	26 3/8	55 1/4	1.97	18 7/8	1650