

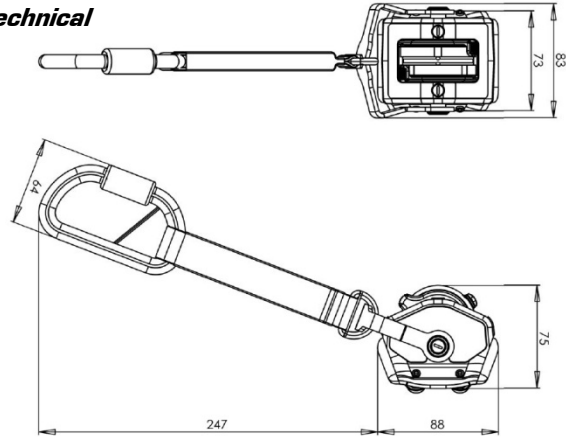
*Bidirectional inertial locking runner*

Ref. : **R.CB2**

**Product picture**

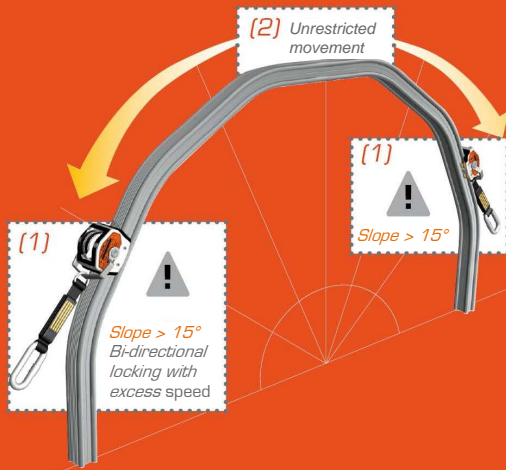


**Technical**



**Operating principle**

**BI-DIRECTIONAL LOCKING SYSTEM**  
for slopes from 15 to 90°



(1) Bi-directional locking, only when the operator requires it. Locking by excess speed whatever the slope of the support.

(2) The locking feature can be disabled for slopes of less than 15°.

(3) The energy absorber is built into the carriage.



**Technical features**

- Aluminum alloy body
- Carabiner & energy absorber included
- Weight : 820 g
- Conform to the norm: EN 795 Class D + EN 353-1:2002 + pr EN 353-1:2008 et WG2 N446

**Mounting features**

The runner mounts directly on the rail by operating the retractable end stop ref. **R.BE**.

**Advantages**

- The R.CB2 runner is certified for vertical, horizontal and inclined uses.
- The runner has a centrifugal bidirectional locking mechanism.
- The runner movement is really easy in all directions.
- Possibility to disable the locking function on horizontal rail portions.
- The runner is provided with a textile energy absorber.