

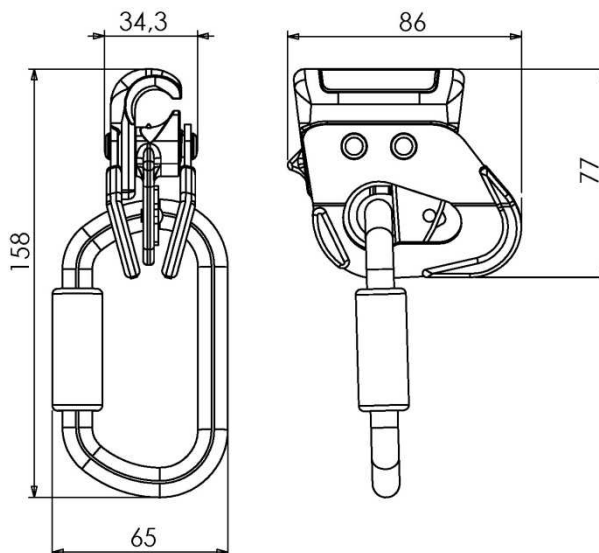
*Travelling, locking carriage*

Ref.: **CMB**

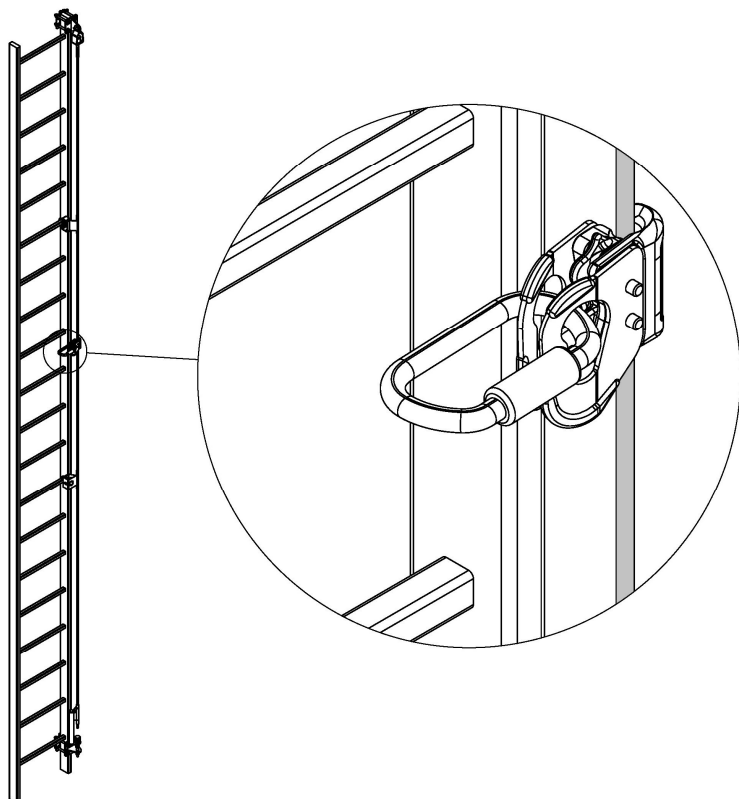
**Product picture**



**Technical drawing**



**Patented VERTIC to meet the safety requirements of horizontal lifelines  
AND inclined (slopes upper than 15 °)**



**Technical features**

Material: Stainless steel

Weight: 0.560 kg

Conform to the EN 795 Class C and NF EN 353-2 norms

**Mounting features**

Usable on VERTIC cable systems:  
**VERTILINE, COMBILINE and ALTILINE.**

Compatible with lifeline supports:  
Ref: IFR90 / IMR / ANG / A90

**Advantages**

Can be used on all slopes of lifelines.

Passage of intermediate supports without stalling.

Operator can connect and disconnect his runner everywhere on the line.