

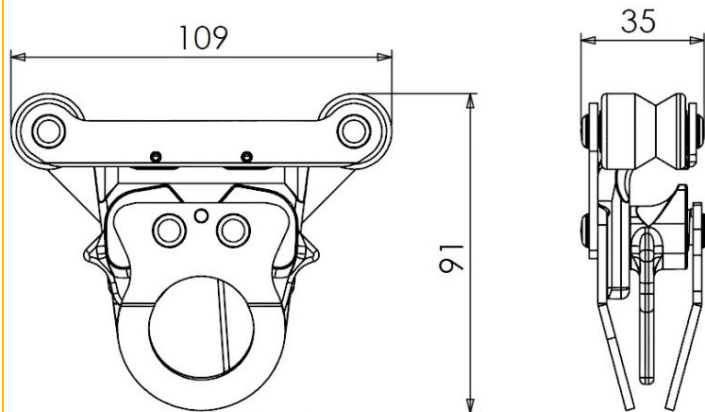
*Runner with roller kit*

Ref. : **CMS3-KR**

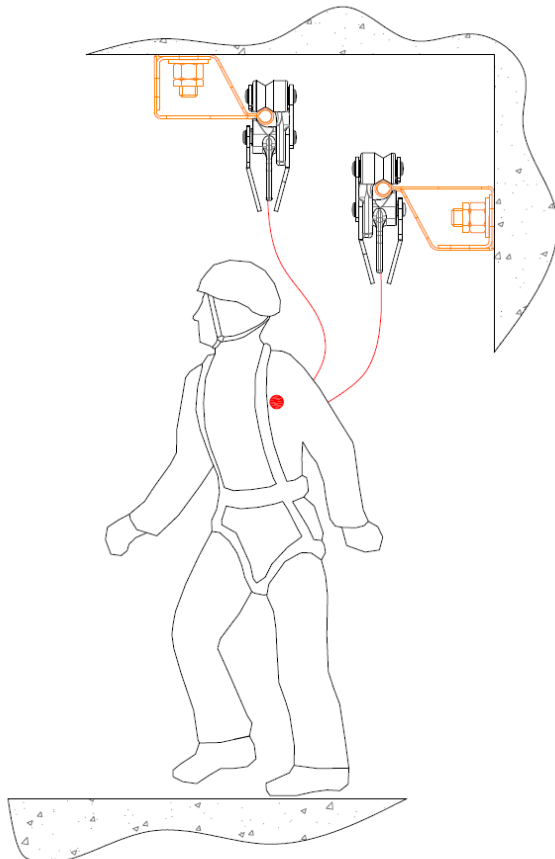
**Product picture**



**Technical drawing**



**Operating positions**



**Technical features**

Material: stainless steel  
 Weight: 0.390 kg  
 Conform to the norm: NF EN 795 Class C

**Mounting features**

For use on VERTIC cable systems **ALTILINE**  
 Compatible with the lifeline supports:  
 IFR90 / IMR

**Advantages**

Free movement.  
 Uninterrupted crossing of the supports.  
 Possible connexion and disconnexion at any point of the lifeline.  
 Can be used with all types of connectors.