

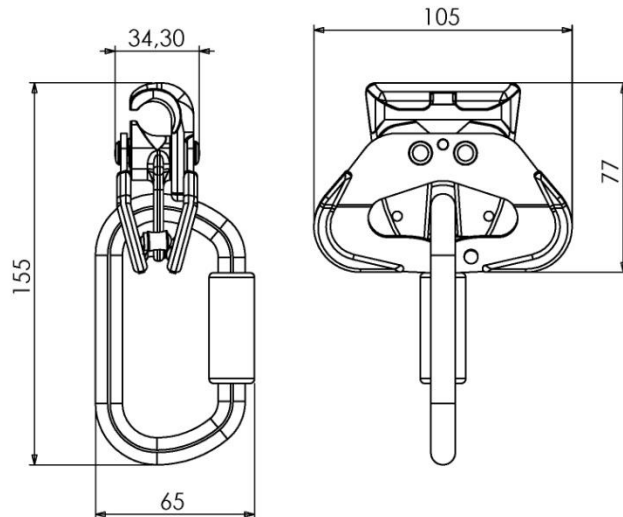
Bi-directional locking runner

Ref.: **CMBR**

Product picture

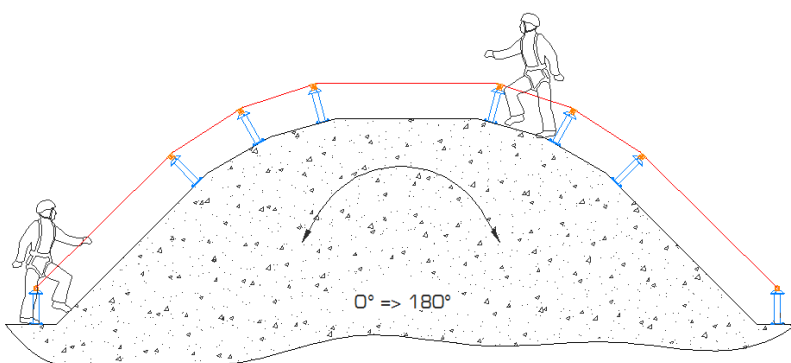


Technical drawing



Patented VERTIC to meet the safety requirements on slopes greater than 15 °

Use principe



Fall arrest system usable from 0° to 180 °
Bi-directional carriage locking

Technical features

Material: stainless steel
Weight: 0.620 kg
Conform to the norm: EN 795 Class C
and NF EN 353-2

Mounting features

Usable on VERTIC cable systems:
VERTILINE, ALTILINE and COMBILINE.
Usable with intermediate supports:
IFR90 / IMR / ANG / A90

Advantages

Can be used on all slopes of lifelines.
Passage of intermediate supports without stalling.
Operator can connect and disconnect his runner everywhere on the line.