

Product Datasheet

Wall mounted ABS closed bowl eye wash

STD-45G

Suitable for indoor use, and outdoors in warmer climates, this eye/face wash is essential for potentially hazardous industries and applications. The integral acrylic capped ABS lid connects to the water valve for automatic operation when the lid is pulled down.

The unit benefits from chemical and UV resistance, as well as excellent durability due to the ABS construction. An improved washing action is achieved via the high flow rate aerated diffusers. Meets the requirements of EN15154 and ANSI Z358.1-2014.



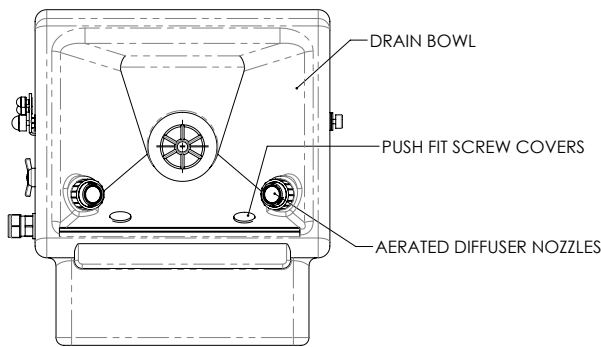
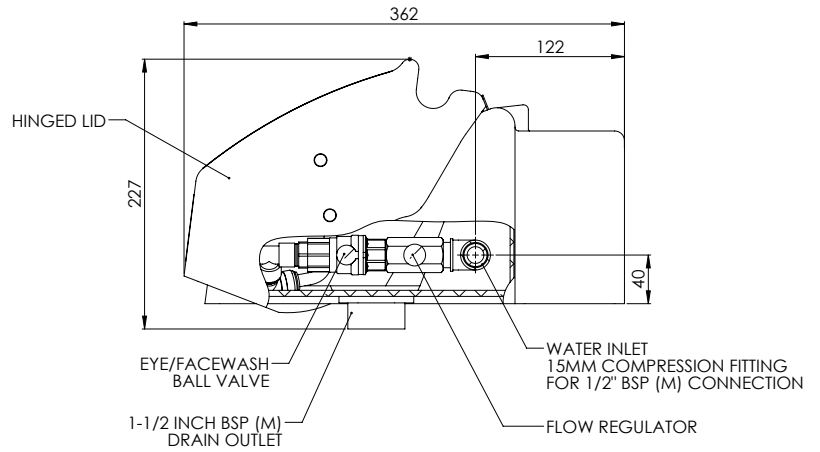
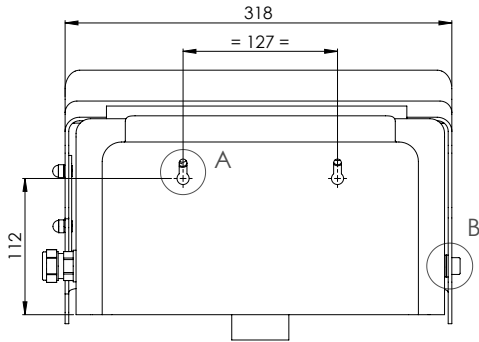
Specifications

MATERIALS OF CONSTRUCTION	
BOWL/LID	Acrylic Capped ABS
DIFFUSERS	Chrome plated brass retaining ring, stainless steel filter mesh, plastic body
STANDARD FINISH	White with green pictogram sign
SERVICES	
WATER INLET	1/2" Female BSP
OPERATING PRESSURE	2.0 to 6 BAR G / 29 to 87 PSI (higher supply pressures accommodated with the incorporation of the optional pressure reducing valve)
MINIMUM FLOW RATES	12 L per minute / 3 US gal per minute
AMBIENT OPERATING TEMPERATURE	
MINIMUM	5C / 41F
MAXIMUM	35C / 95F
OPERATION	
EYE/FACE WASH	Pull lid down
DIMENSIONS & WEIGHT	
DIMENSIONS (WxDxH)	318mm (12.5in) x 362mm (14.3in) x 227mm (8.9in)
WEIGHT	3kg / 7lb

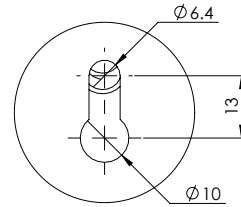
General Arrangement Drawing

Wall mounted ABS closed bowl eye wash

STD-45G



PLAN VIEW (LID REMOVED)



DETAIL A
MOUNTING DETAILS
SCALE 1 : 1